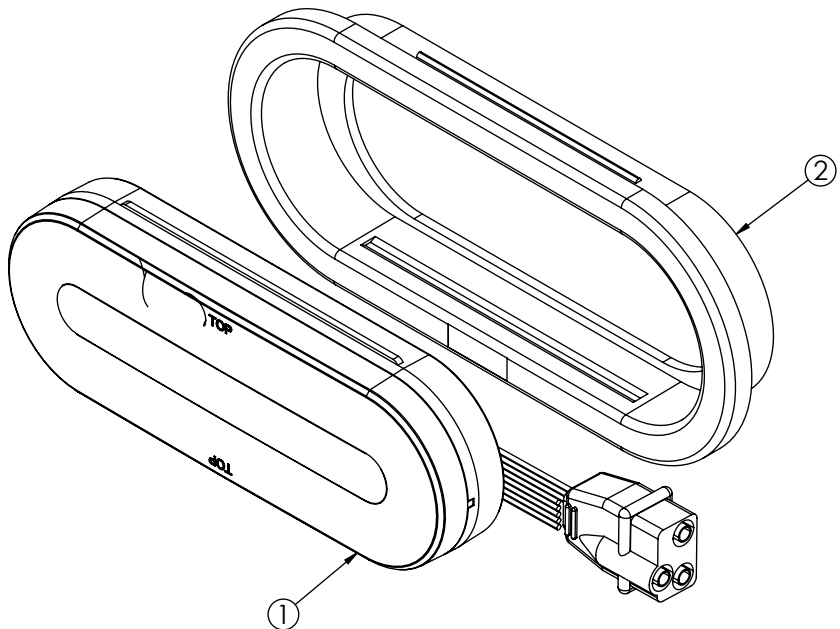


REVISION HISTORY		
REV.	DESCRIPTION	DATE
01	PRELIMINARY RELEASE PER EL0307	2023-06-23
A	INITIAL RELEASE PER EL0307	2023-07-03



CONFIG. CHART		
FGS. NO.	SUBASSY. NO.	PROD. LABEL NO.
ED3060AW	140-2198-37	905-2985-00
ED3060AB	140-2198-34	905-2985-34
ED3060AG	140-2198-38	905-2985-38

ITEM NO.	QTY.	PART NUMBER	DESCRIPTION	COMMENTS
1	1	(SEE CHART)	ASSY.SUB,ED3060	
2	1	420-0099-00	GROMMET,RUBBER,OBAL,ED3060	
3	1	(SEE CHART)	LABEL,PRODUCT,ED3060AW	NOT SHOWN
4	1	920-0888-00	SHEET,INSTRUCTION,ED3060	NOT SHOWN
5	1	955-0347-00	BOX,POP,3.54x1.97x7.87,ED3060	NOT SHOWN

APPROVALS		DATE
DRAWN BY	BTK	2023-06-23
CHECKED	AH	2023-06-29
MECH. ENG.		
ELEC. ENG.		
MFG. ENG.	NT	2023-06-23



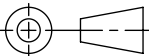
United States
1-800-635-5900
Americas@eccogroup.com

United Kingdom
+44 (0)113 237 5340
Europe@eccogroup.com

Australia
+61 (0)3 63322444
AsiaPacific@eccogroup.com

DIRECTIONAL, 6" OVAL, STR-W COMBO, PL3

SCALE 1:2
CAD GENERATED DRAWING
DO NOT MANUALLY UPDATE.



Electronically Controlled Use Latest Copy

SIZE: A	DWG. NO. 100-ED3060XX	REV. A
SHEET 1 OF 1 Project: EL0307		Date Created: 2023-06-23

PROPRIETARY AND CONFIDENTIAL INFORMATION

THIS DRAWING AND THE DESIGN AND OTHER INFORMATION DISCLOSED HEREIN ARE THE PROPERTY OF ELECTRONIC CONTROLS COMPANY AND/OR ITS ECCO SAFETY GROUP AFFILIATES ("ESG") AND IS ISSUED IN CONFIDENCE TO RECIPIENT FOR ENGINEERING INFORMATION PURPOSES ONLY. THIS DRAWING AND THE DESIGN AND OTHER INFORMATION DISCLOSED HEREIN MAY NOT BE USED, COPIED, REPRODUCED OR OTHERWISE DISCLOSED IN PART OR IN WHOLE TO THIRD PARTIES OR USED FOR ANY OTHER PURPOSE WITHOUT PRIOR ESG WRITTEN CONSENT. ESG RESERVES ALL PATENT, COPYRIGHT, TRADEMARK AND OTHER PROPRIETARY RIGHTS TO THIS DOCUMENT, INCLUDING ALL DESIGN, MANUFACTURING, REPRODUCTION, USE AND SALES RIGHTS THERETO. THIS DRAWING IS SUBJECT TO RECALL BY ESG AT ANY TIME, AND YOUR POSSESSION AND/OR USE CONSTITUTES ACCEPTANCE OF THESE TERMS.
©2023 ELECTRONIC CONTROLS COMPANY