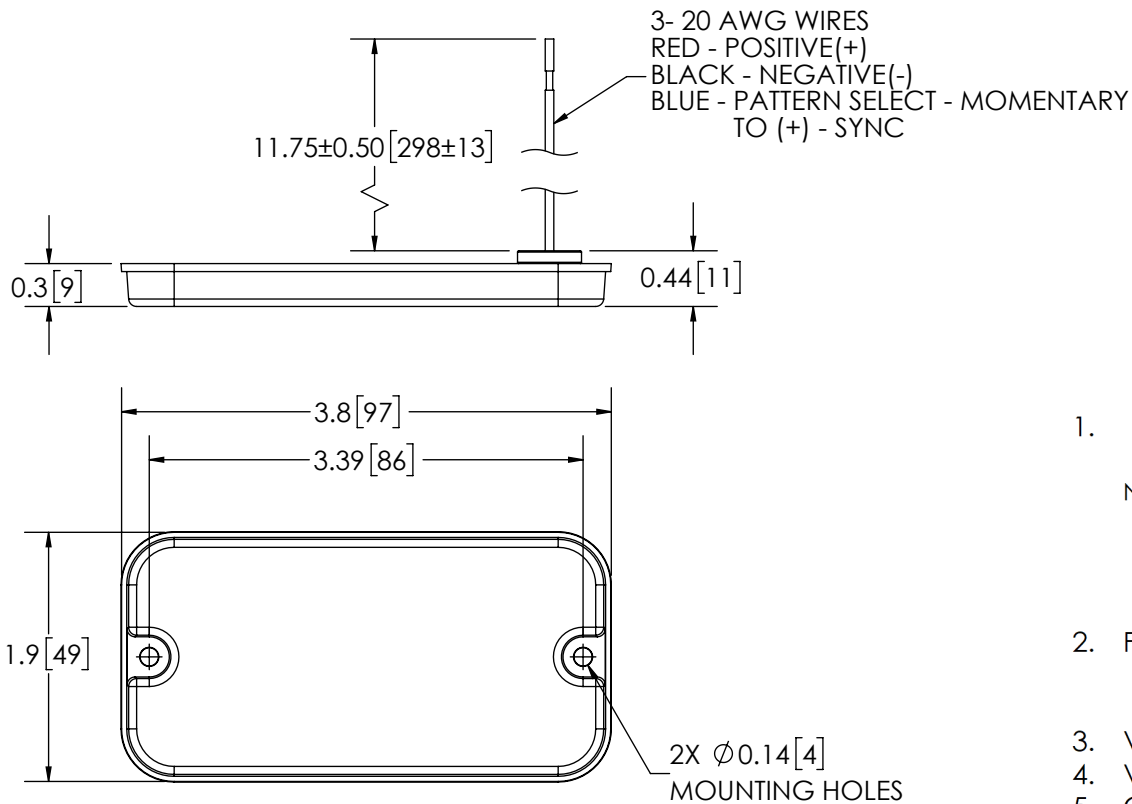


REVISION HISTORY		
REV.	DESCRIPTION	DATE
B	REVISED PER EP0023	2019-04-09
C	REVISED PER EP0023	2019-10-30
D	REVISED PER EP0182	2023-08-22



COLOR CHART	
FGS NO.	COLOR
3931A	AMBER
3931B	BLUE
3931C	CLEAR
3931R	RED

### SPECIFICATIONS

- CERTIFICATIONS: IP-66D For a Category 2 Housing, IPX9K  
 Note: Unique components, accessories, and hardware kits are not typically Included in the Product Certification Test Protocols. Unless otherwise Specified, the Product Certifications referred to herein are predicated upon the base product model configuration.
- FLASH MODE: QUAD : 75 ± 5 FLASHES PER MINUTE  
 DOUBLE : 75 ± 5 FLASHES PER MINUTE  
 TRIPLE : 90 ± 5 FLASHES PER MINUTE
- VOLTAGE (NOMINAL): 12 VDC
- VOLTAGE (EXTREME): 9 to 16 VDC
- CURRENT (PEAK): 0.64A (@ 12 VDC NOMINAL)
- POWER (MAXIMUM): 8.6W (@ 12 VDC NOMINAL)
- TEMPERATURE RANGE: -22°F (-30°C) TO 122°F (50°C)
- CONNECTION: 3 - 20 AWG WIRES
- MOUNTING: 2 BOLT MOUNT
- BASE MATERIAL: ALUMINUM
- LENS MATERIAL: POLYCARBONATE
- PRODUCT WEIGHT: 0.11 LBS (0.05 Kg)

NOTES:  
 1. ROHS COMPLIANT  
 2. DIMENSIONS IN INCHES[MILLIMETERS (FOR REFERENCE)]

SCALE 1:1.5		APPROVALS	DATE
CAD GENERATED DRAWING DO NOT MANUALLY UPDATE.		DRAWN BY BTK	2023-06-27
TOLERANCES ARE IN INCHES, AND MILLIMETERS TOLERANCES UNLESS OTHERWISE STATED ARE:		CHECKED AH	2023-06-28
MILLIMETERS DECIMALS XX. ± 1.0mm XX.X ± 0.5mm	INCHES DECIMALS X.X ± 0.1 X.XX ± 0.04 X.XXX ± 0.02	MECH. ENG. LRA	2023-06-28
	ANGLES ± 0.5°	ELEC. ENG. MMG	2023-08-11
	FRACTIONS ± 1/64	TEST ENG. JJ	2023-06-28
THIRD ANGLE PROJECTION		SALES.	

**ECCO** www.eccolink.com  
 Americas (800) 635-5900 | Europe +44 (0)113 237 5340 | Asia Pacific +61 (0)3 63322444

### MINI SURFACE MOUNT LED HEAD, 4"X2"AMBER

PROPRIETARY AND CONFIDENTIAL INFORMATION  
 THIS DRAWING AND THE DESIGN AND OTHER INFORMATION DISCLOSED HEREIN ARE THE PROPERTY OF ELECTRONIC CONTROLS COMPANY AND/OR ITS ECCO SAFETY GROUP AFFILIATES ("ECCO") AND IS ISSUED IN CONFIDENCE TO RECIPIENT FOR ENGINEERING INFORMATION PURPOSES ONLY. THIS DRAWING AND THE DESIGN AND OTHER INFORMATION DISCLOSED HEREIN MAY NOT BE USED, COPIED, REPRODUCED OR OTHERWISE DISCLOSED IN PART OR IN WHOLE TO THIRD PARTIES OR USED FOR ANY OTHER PURPOSE WITHOUT PRIOR ECCO WRITTEN CONSENT. ECCO RESERVES ALL PATENT, COPYRIGHT, TRADEMARK AND OTHER PROPRIETARY RIGHTS TO THIS DOCUMENT, INCLUDING ALL DESIGN, MANUFACTURING, REPRODUCTION, USE AND SALES RIGHTS THERETO. THIS DRAWING IS SUBJECT TO RECALL BY ECCO AT ANY TIME, AND YOUR POSSESSION AND/OR USE CONSTITUTES ACCEPTANCE OF THESE TERMS. ©2014 ELECTRONIC CONTROLS COMPANY

CUSTOMER PART NO. <b>SEE CHART</b>		SIZE: A	DWG. NO. 3931A	REV. D
Electronically Controlled Use Latest Copy		SHEET 1 OF 1	Project: P11052	Date Created: 2014-11-18