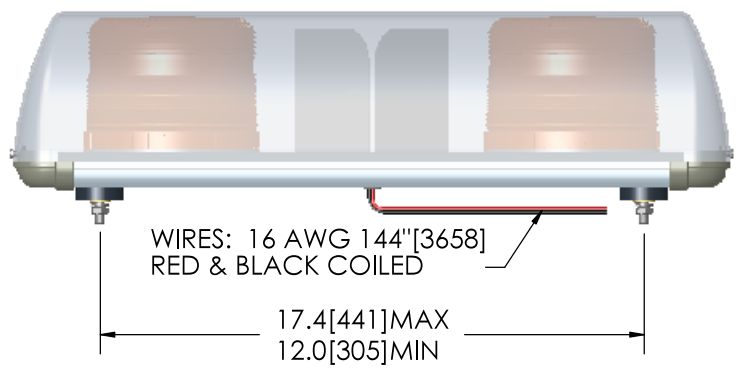
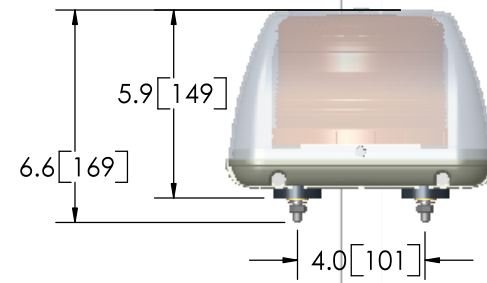
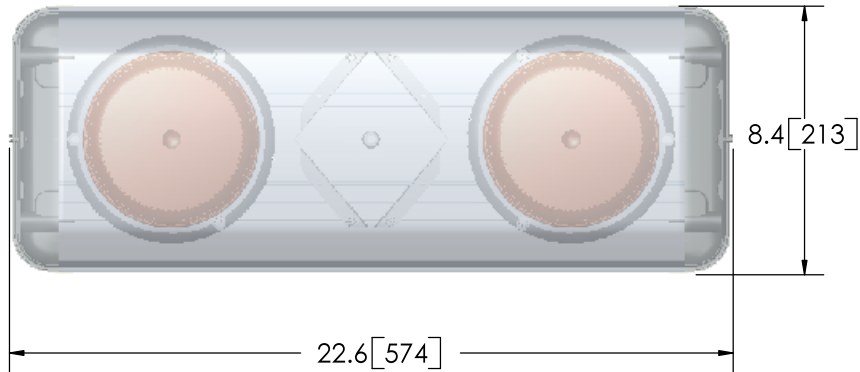


8 7 6 5 4 3 2 1

REVISION HISTORY		
REV.	DESCRIPTION	DATE
A	INITIAL RELEASE PER P3# 99014	1999-10-01
B	REPLACED FGS\5450 PER CR# 1138	2002-08-15



WIRES: 16 AWG 144"[3658]  
RED & BLACK COILED

**LENS AND DOME CHART**

P/N	DOMES COLOR	LENS 1 COLOR	LENS 2 COLOR
5450AAA	AMBER	AMBER	AMBER
5450ACC	AMBER	CLEAR	CLEAR
5450CAA	CLEAR	AMBER	AMBER
5450CAB	CLEAR	AMBER	BLUE
5450CAC	CLEAR	AMBER	CLEAR
5450CAR	CLEAR	AMBER	RED
5450CBB	CLEAR	BLUE	BLUE
5450CBC	CLEAR	BLUE	CLEAR
5450CBR	CLEAR	BLUE	RED
5450CCC	CLEAR	CLEAR	CLEAR
5450CRR	CLEAR	RED	RED

**SPECIFICATIONS**

1. MANUFACTURER CERTIFIES THAT THIS WARNING LIGHT MEETS SAE J1318 SPECIFICATIONS, CLASS 2, CAA VERSION
2. VOLTAGE (NOMINAL): 12 – 48 VDC
3. VOLTAGE (OPERATING): 9 – 55 VDC
4. CURRENT (NOMINAL): 0.9 – 3.0 A
5. POWER (NOMINAL): 36 – 46 W
6. TEMPERATURE RANGE: -22°F (-30°C) – 122°F (50°C)
7. FLASH RATE:  
80 ± 5 DUAL FLASHES PER MINUTE  
65 ± 5 QUAD FLASHES PER MINUTE
8. CONNECTION: 16 AWG BLUNT CUT WIRE
9. BASE MATERIAL: POLYCARBONATE, BLACK
10. DOME/LENS MATERIAL: POLYCARBONATE, SEE LENS AND DOME CHART FOR COLOR CONFIGURATIONS
11. WEIGHT: 8.7 LBS
12. CERTIFICATIONS: CE, AMECA

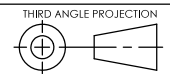
- NOTES:  
1. DIMENSIONS IN INCHES[MILLIMETERS].  
2. WIRE LENGTH TOLERANCE IS ± 0.5"[12mm].

**ECCO** Electronic Controls Co.  
An Employee Owned Company  
800-635-5900 P.O.BOX 7246,BOISE,ID 83707

APPROVALS		DATE
DRAWN BY	RAM	
CHECKED		
ELEC. ENG.		
TEST ENG.		
SALES		

Project:99014	Date Created:1999-09-14
SIZE	DWG. NO.
A	5450XXX
SCALE 1:6	PREPARED PER ASME 14.100M-1998 / ASME Y14.1-1995
	SHEET 1 OF 1

NON DISCLOSURE AGREEMENT  
THIS DRAWING AND THE DESIGN IT DISCLOSES ARE THE PRIVATE PROPERTY OF ECCO AND IS ISSUED IN CONFIDENCE FOR ENGINEERING INFORMATION ONLY. THE DRAWING AND / OR DESIGN MAY NOT BE USED, COPIED, REPRODUCED, OR OTHERWISE DISCLOSED IN PART OR AS A WHOLE TO OUTSIDERS OR USED FOR ANY OTHER PURPOSE WITHOUT THE PRIOR WRITTEN CONSENT OF ECCO. THE DRAWING IS SUBJECT TO RECALL AT ANY TIME. YOUR POSSESSION OF THIS DOCUMENT CONSTITUTES ACCEPTANCE OF THESE TERMS. © 2002 ECCO



8 7 6 5 4 3 2 1