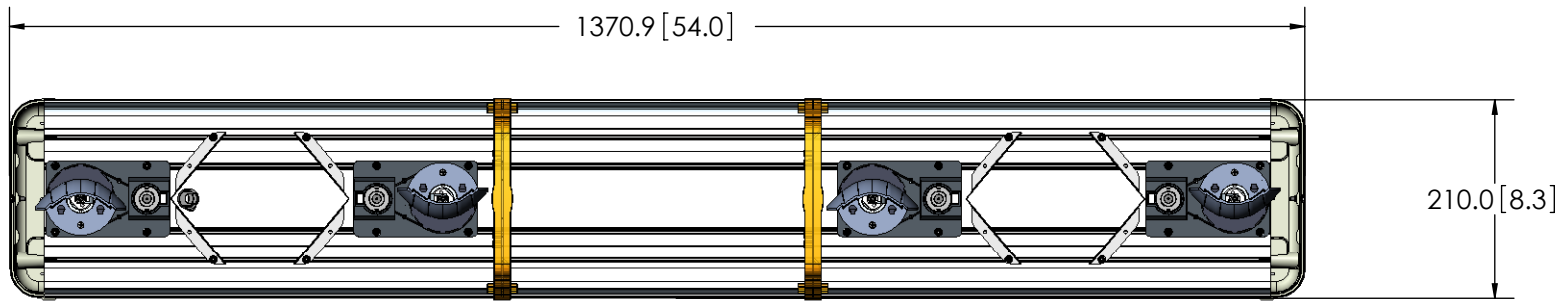


REVISION HISTORY		
REV.	DESCRIPTION	DATE
02	RE-FORMAT	2003-04-19
A	INITIAL RELEASE PER P3 #00012	2004-06-07
B	CHANGES PER LM10201	2010-02-17

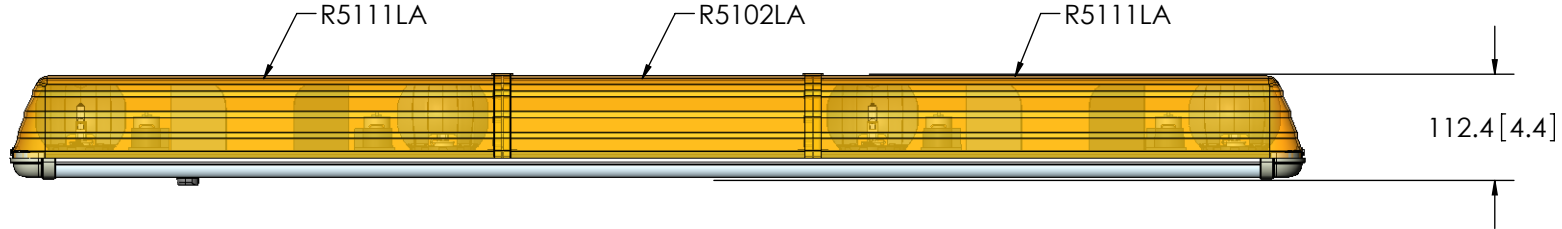


REAR OF VEHICLE

WIRING KEY				
PIN	COLOR	COMPONENT	TYP. MAX CURRENT(A)	COMMENT
N/A	RED	ROTATORS -OUTER	10.2	
N/A	BLU	ROTATORS -INNER	10.2	
N/A	BLK	GROUND	40A Limit	RING TERMINAL

SPECIFICATIONS

1. FLASH MODE: MAXIMUM: 1280 FPM
2. VOLTAGE (NOMINAL): 12 VDC
3. CURRENT (NOMINAL): 20.4 A
4. CONNECTION: 14 OR 16 AWG WIRES IN CABLE
5. MOUNTING: 4-BOLT THROUGH MOUNTING KIT
6. BASE MATERIAL: ALUMINUM
7. LENS MATERIAL: POLYCARBONATE



- NOTES:**
1. CABLES AND WIRING NOT SHOWN
 2. TOP VIEW: TOP LENSES NOT SHOWN FOR CLARITY
 3. MOUNTING FEET: ADD 30mm TO OVERALL HEIGHT
 4. THE LENGTH BETWEEN MOUNTING FEET IS ADJUSTABLE
 5. CABLE LENGTH - 4.5m [15.0'] FROM INTERNAL CONNECTOR
 6. CABLE EXIT - DRIVER'S SIDE
 7. DIMENSIONS IN MILLIMETERS [INCHES (FOR REFERENCE)]

APPROVALS	DATE	ECCO [®] Electronic Controls Co. 833 West Diamond Street, Boise, ID 83705 800-635-5900 www.eccolink.com
DRAWN BY RDE		
CHECKED		LBR, 60, 12V, 54"/1.37M, 143-00702-60
SALES		
CUSTOMER PART NO. 6543002		PRODUCT SERIES: 60 Series Lightbar
SIZE: A	DWG. NO. 6543002	REV. B
SHEET 1 OF 1 Project: 00012		Date Created: 2002-01-10

SCALE 1:8.5
CAD GENERATED DRAWING
DO NOT MANUALLY UPDATE.
MODEL REFERENCED: A

TOLERANCES ARE IN MILLIMETERS, AND INCHES
TOLERANCES ARE:

MILLIMETERS DECIMALS XX.X ± 0.5mm	INCH DECIMALS XXX ± 0.2	ANGLES ± 0.5°
--------------------------------------	----------------------------	------------------

THIRD ANGLE PROJECTION

NON DISCLOSURE AGREEMENT

THIS DRAWING AND THE DESIGN IT DISCLOSES ARE THE PRIVATE PROPERTY OF ECCO AND IS ISSUED IN CONFIDENCE FOR ENGINEERING INFORMATION ONLY. THE DRAWING AND / OR DESIGN MAY NOT BE USED, COPIED, REPRODUCED, OR OTHERWISE DISCLOSED IN PART OR AS A WHOLE TO OUTSIDERS OR USED FOR ANY OTHER PURPOSE WITHOUT THE PRIOR WRITTEN CONSENT OF ECCO. THE DRAWING IS SUBJECT TO RECALL AT ANY TIME. YOUR POSSESSION OF THIS DOCUMENT CONSTITUTES ACCEPTANCE OF THESE TERMS. © 2002 ECCO