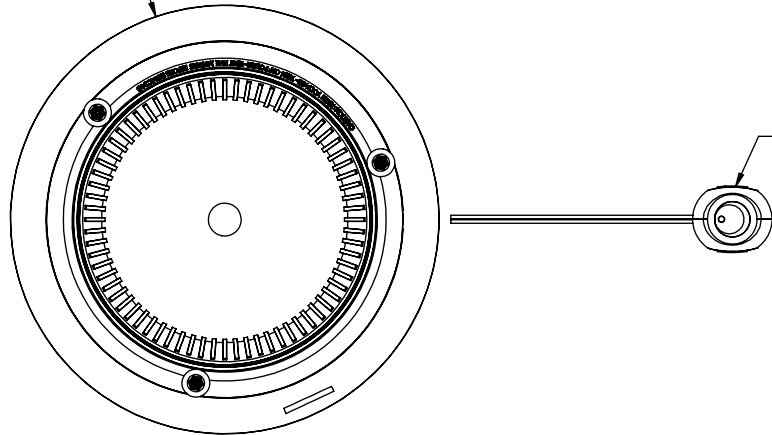


REVISION HISTORY		
REV.	DESCRIPTION	DATE
04	REVISED PER P11045	2011-06-09
05	REVISED PER P11045	2011-06-17
A	INITIAL RELEASE PER P11045	2011-07-25

Ø7.81 [198]

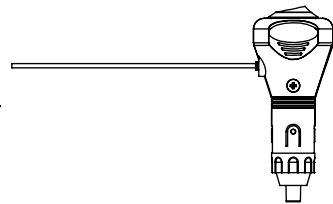
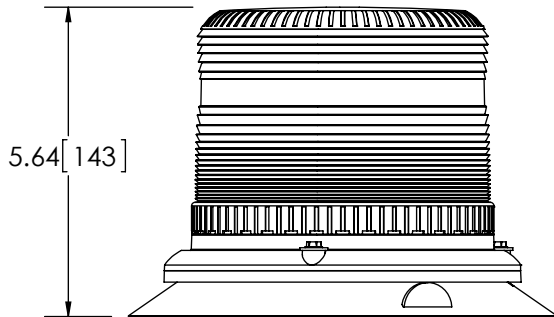


15' CORD W/ LIGHTER ADAPTER

COLOR CHART	
P/N	COLOR
6650A-VM	AMBER
6650B-VM	BLUE
6650C-VM	CLEAR
6650G-VM	GREEN
6650R-VM	RED

SPECIFICATIONS

- CERTIFICATIONS: **CE**; e; AMECA/SAE J1318 (MAY 1998), CLASS 2, YELLOW (AMBER) COLOR;
 Note: Unique components, accessories, and hardware kits are not typically included in the Product Certification Test Protocols. Unless otherwise Specified, the Product Certifications referred to herein are predicated upon the base product model configuration.
- FLASH MODE: QUAD : 65 ± 5 FLASHES PER MINUTE
 DOUBLE : 65 ± 5 FLASHES PER MINUTE
- VOLTAGE (NOMINAL): 12 to 24 VDC
- VOLTAGE (EXTREME): 12.0 to 32.0 VDC
- CURRENT (PEAK): 4.24A (@ 12 VDC NOMINAL)
- POWER (MAXIMUM): 54.272W (@ 12 VDC NOMINAL)
- TEMPERATURE RANGE: -22°F (-30°C) TO 122°F (50°C)
- CONNECTION: 15' CORD W/LIGHTER ADAPTER
- MOUNTING: VACUUM/MAGNET MOUNT
- BASE MATERIAL: ALUMINUM
- LENS MATERIAL: POLYCARBONATE
- PRODUCT WEIGHT: 2.2 LBS (0.99 Kg)



NOTES:
 1. DIMENSIONS IN INCHES [MILLIMETERS (FOR REFERENCE)]

SCALE 1:3.5			APPROVALS	DATE	
CAD GENERATED DRAWING DO NOT MANUALLY UPDATE. MODEL REFERENCED:A			DRAWN BY	BND	2011-06-17
			CHECKED	MDH	2011-06-17
TOLERANCES ARE IN INCHES, AND MILLIMETERS TOLERANCES ARE:			MECH. ENG.	JLA	2011-06-17
			ELEC. ENG.	TJT	2011-06-20
MILLIMETERS DECIMALS XX. ± 1.0mm XX.X ± 0.5mm			INCHES DECIMALS X.X ± 0.1 X.XX ± 0.04 X.XXX ± 0.02		ANGLES ± 0.5° FRACTIONS ± 1/64
			THIRD ANGLE PROJECTION		
NON DISCLOSURE AGREEMENT			SALES.	WNH	2011-06-17
			THIS DRAWING AND THE DESIGN IT DISCLOSES ARE THE PRIVATE PROPERTY OF ECCO AND IS ISSUED IN CONFIDENCE FOR ENGINEERING INFORMATION ONLY. THE DRAWING AND / OR DESIGN MAY NOT BE USED, COPIED, REPRODUCED, OR OTHERWISE DISCLOSED IN PART OR AS A WHOLE TO OUTSIDERS OR USED FOR ANY OTHER PURPOSE WITHOUT THE PRIOR WRITTEN CONSENT OF ECCO. THE DRAWING IS SUBJECT TO RECALL AT ANY TIME. YOUR POSSESSION OF THIS DOCUMENT CONSTITUTES ACCEPTANCE OF THESE TERMS. © 2011 ECCO		

ECCO® Electronic Controls Co.
 833 West Diamond Street, Boise, ID 83705
 800-635-5900
 www.eccolink.com

STROBE, 360*, 12-24VDC, S/D, VAC MNT

CUSTOMER PART NO. SEE CHART		PRODUCT SERIES: 6500	
SIZE: A	DWG. NO. 6650X-VM	REV. A	
SHEET 1 OF 1	Project: P11045	Date Created: 2011-05-20	