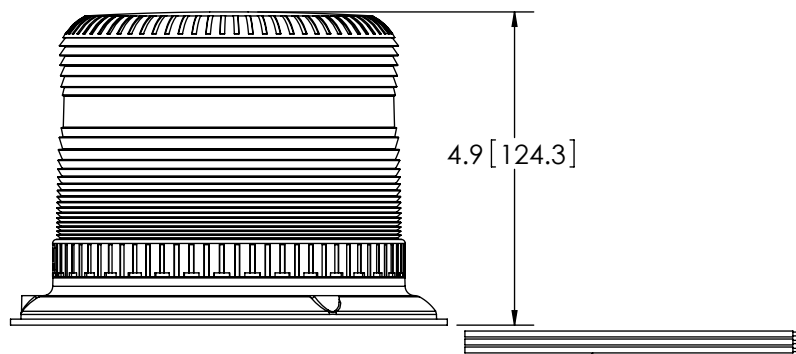


REVISION HISTORY		
REV.	DESCRIPTION	DATE
A	INITIAL RELEASE PER P3# 04038	2005-05-31
B	ADDED AMECA PER P3# 04038	2005-07-12
C	REVISE PER P13005	2015-08-13

COLOR CHART	
FGS P/N	COLOR
6710A	AMBER
6710B	BLUE
6710C	CLEAR
6710G	GREEN
6710R	RED


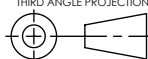
SPECIFICATIONS

- CERTIFICATIONS: **CE**; SAE/AMECA J1318 (May 98), CLASS 2 FOR AMBER, BLUE, CLEAR AND RED COLORS
 Note: Unique components, accessories, and hardware kits are not typically included in the Product Certification Test Protocols. Unless otherwise specified, The Product Certifications referred to herein are predicated upon the base product model configuration.
- FLASH MODE: DOUBLE: 80 ± 5 FLASHES PER MINUTE
 QUAD: 65 ± 5 FLASHES PER MINUTE
- VOLTAGE (NOMINAL): 12 – 48 VDC
- VOLTAGE (EXTREME): 9.0 – 55.0 VDC
- CURRENT (NOMINAL): 1.5 A
- POWER (NOMINAL): 23 W
- TEMPERATURE: -22°F (-30°C) TO 122°F (50°C)
- CONNECTION: 3 – 16 AWG WIRES
- MOUNTING: FLANGE MOUNT, PIPE MOUNT
- BASE MATERIAL: GLASS FILLED NYLON
- LENS MATERIAL: POLYCARBONATE
- PRODUCT WEIGHT: 1.9 LBS



3-16 AWG WIRES
 RED: POSITIVE (+)
 BLACK: NEGATIVE (-)
 WHITE: DUAL/QUAD

NOTES:
 1. DIMENSIONS IN INCHES [MILLIMETERS (FOR REFERENCE)]

SCALE 1:3		APPROVALS	DATE	 www.eccolink.com Americas (800) 635-5900 Europe +44 (0)113 237 5340 Asia Pacific +61 (0)3 63322444											
CAD GENERATED DRAWING DO NOT MANUALLY UPDATE. MODEL REFERENCED:C+		DRAWN BY ABD	2015-08-12												
TOLERANCES ARE IN INCHES, AND MILLIMETERS TOLERANCES UNLESS OTHERWISE STATED ARE:		CHECKED MDH	2015-08-13												
<table border="1"> <tr> <th>MILLIMETERS DECIMALS</th> <th>INCHES DECIMALS</th> <th>ANGLES</th> </tr> <tr> <td>XX. ± 1.0mm</td> <td>X.X ± 0.1</td> <td>± 0.5°</td> </tr> <tr> <td>XX.X ± 0.5mm</td> <td>X.XX ± 0.04</td> <td>FRACTIONS</td> </tr> <tr> <td></td> <td>X.XXX ± 0.02</td> <td>± 1/64</td> </tr> </table>		MILLIMETERS DECIMALS	INCHES DECIMALS		ANGLES	XX. ± 1.0mm	X.X ± 0.1	± 0.5°	XX.X ± 0.5mm	X.XX ± 0.04	FRACTIONS		X.XXX ± 0.02	± 1/64	MECH. ENG. JLA
MILLIMETERS DECIMALS	INCHES DECIMALS	ANGLES													
XX. ± 1.0mm	X.X ± 0.1	± 0.5°													
XX.X ± 0.5mm	X.XX ± 0.04	FRACTIONS													
	X.XXX ± 0.02	± 1/64													
		ELEC. ENG.													
		TEST ENG.													
		SALES.													
NON DISCLOSURE AGREEMENT		THIRD ANGLE PROJECTION		STROBE, 360*, EPOXY, 12-48VDC CUSTOMER PART NO. SEE CHART PRODUCT SERIES:											
THIS DRAWING AND THE DESIGN IT DISCLOSES ARE THE PRIVATE PROPERTY OF ESG AND IS ISSUED IN CONFIDENCE FOR ENGINEERING INFORMATION ONLY. THE DRAWING AND / OR DESIGN MAY NOT BE USED, COPIED, REPRODUCED, OR OTHERWISE DISCLOSED IN PART OR AS A WHOLE TO OUTSIDERS OR USED FOR ANY OTHER PURPOSE WITHOUT THE PRIOR WRITTEN CONSENT OF ESG. THE DRAWING IS SUBJECT TO RECALL AT ANY TIME. YOUR POSSESSION OF THIS DOCUMENT CONSTITUTES ACCEPTANCE OF THESE TERMS. © 2005 ECCO				SIZE: A DWG. NO. 6710X REV. C SHEET 1 OF 1 Project: 04038 Date Created: 2005-05-02											

THIS DRAWING AND THE DESIGN IT DISCLOSES ARE THE PRIVATE PROPERTY OF ESG AND IS ISSUED IN CONFIDENCE FOR ENGINEERING INFORMATION ONLY. THE DRAWING AND / OR DESIGN MAY NOT BE USED, COPIED, REPRODUCED, OR OTHERWISE DISCLOSED IN PART OR AS A WHOLE TO OUTSIDERS OR USED FOR ANY OTHER PURPOSE WITHOUT THE PRIOR WRITTEN CONSENT OF ESG. THE DRAWING IS SUBJECT TO RECALL AT ANY TIME. YOUR POSSESSION OF THIS DOCUMENT CONSTITUTES ACCEPTANCE OF THESE TERMS. © 2005 ECCO