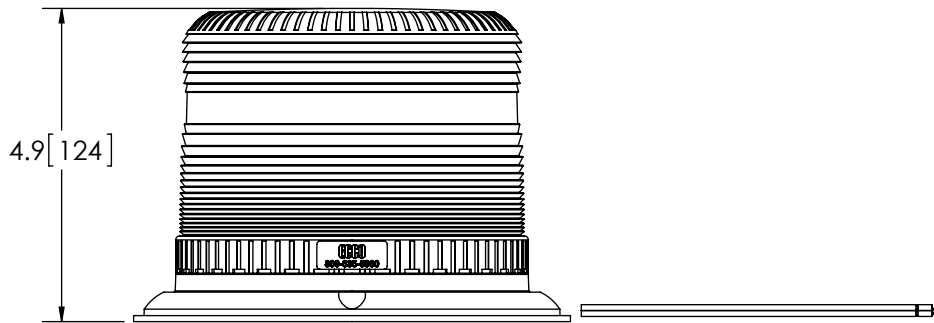
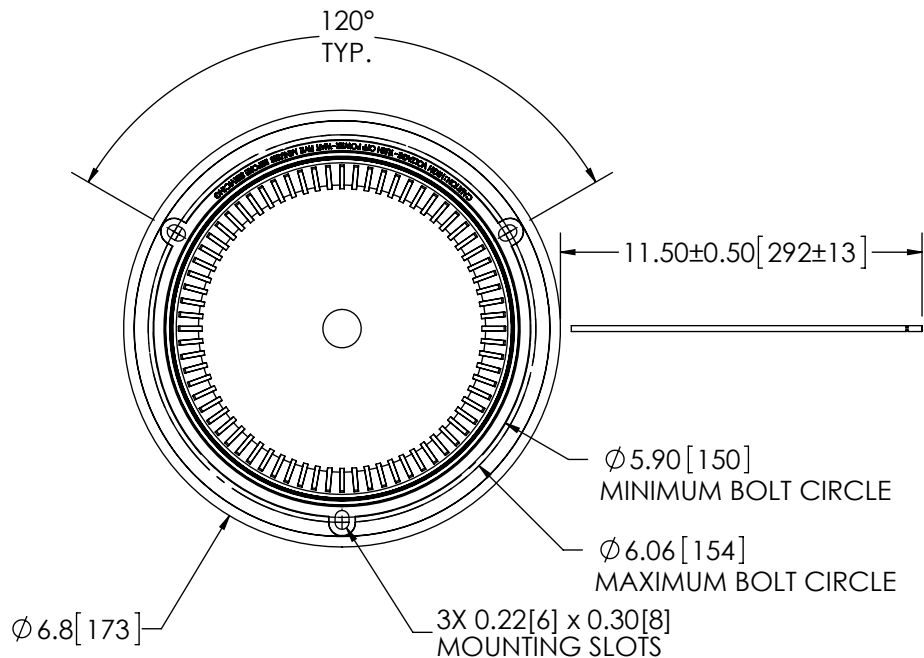


REVISION HISTORY		
REV.	DESCRIPTION	DATE
A	INITIAL RELEASE PER P3# 99071	2001-04-26
B	RESTORED ELECT FILE & CHGD SPECS PER CR# 1138	2002-06-13
C	REVISE PER P13002	2014-09-18

COLOR CHART		
FGS P/N	COLOR	SAE J1318
6750A	AMBER	CLASS 2
6750B	BLUE	N/A
6750C	CLEAR	CLASS 2
6750G	GREEN	N/A
6750R	RED	N/A



2-16 AWG WIRE  
 RED: POSITIVE (+)  
 BLK: NEGATIVE (-)

### SPECIFICATIONS

- CERTIFICATIONS: **CE**; ECE R10; SAE J1318 (MAY 1998), CLASS 2, YELLOW (AMBER); IP66  
 Note: Unique components, accessories, and hardware kits are not typically included in the Product Certification Test Protocols. Unless otherwise Specified, the Product Certifications referred to herein are predicated upon the base product model configuration.
- FLASH MODE: QUAD : 65 ± 5 FLASHES PER MINUTE  
 DOUBLE : 80 ± 5 FLASHES PER MINUTE
- VOLTAGE (NOMINAL): 12 to 24 VDC
- VOLTAGE (EXTREME): 10.0 to 32.0 VDC
- CURRENT (PEAK): 4.1A (@ 12 VDC NOMINAL)
- POWER (MAXIMUM): 49.2W (@ 12 VDC NOMINAL)
- TEMPERATURE RANGE: -22°F (-30°C) TO 122°F (50°C)
- CONNECTION: 2-16 AWG WIRES
- MOUNTING: FLANGE MOUNT, PIPE MOUNT
- BASE MATERIAL: ALUMINUM
- LENS MATERIAL: POLYCARBONATE
- PRODUCT WEIGHT: 2.6 LBS (1.17 Kg)

NOTES:  
 1. DIMENSIONS IN INCHES [MILLIMETERS (FOR REFERENCE)]

SCALE 1:3		APPROVALS	DATE
CAD GENERATED DRAWING DO NOT MANUALLY UPDATE. MODEL REFERENCED-C		DRAWN BY SNS	2014-08-12
		CHECKED MDH	2014-08-13
TOLERANCES ARE IN INCHES, AND MILLIMETERS TOLERANCES ARE:		MECH. ENG. JLA	2014-08-12
		ELEC. ENG. TJT	2014-08-12
MILLIMETERS DECIMALS XX. ± 1.0mm XX.X ± 0.5mm	INCHES DECIMALS X.X ± 0.1 X.XX ± 0.04 X.XXX ± 0.02	ANGLES ± 0.5° FRACTIONS ± 1/64	TEST ENG. SALES. LAT
			2014-08-18

**ECCO**® Electronic Controls Co.  
 833 West Diamond Street, Boise, ID 83705  
 800-635-5900  
 www.eccolink.com

**STROBE, SUPER DUTY, 360°, 12-24VDC**

CUSTOMER PART NO. <b>SEE CHART</b>		PRODUCT SERIES: <b>6700</b>	
SIZE: A	DWG. NO. 6750X	REV. C	
Electronically Controlled Use Latest Copy		SHEET 1 OF 1	Project: 99071 Date Created: 2001-04-26

THIS DRAWING AND THE DESIGN IT DISCLOSES ARE THE PRIVATE PROPERTY OF ECCO AND IS ISSUED IN CONFIDENCE FOR ENGINEERING INFORMATION ONLY. THE DRAWING AND / OR DESIGN MAY NOT BE USED, COPIED, REPRODUCED, OR OTHERWISE DISCLOSED IN PART OR AS A WHOLE TO OUTSIDERS OR USED FOR ANY OTHER PURPOSE WITHOUT THE PRIOR WRITTEN CONSENT OF ECCO. THE DRAWING IS SUBJECT TO RECALL AT ANY TIME. YOUR POSSESSION OF THIS DOCUMENT CONSTITUTES ACCEPTANCE OF THESE TERMS. © 2002 ECCO

