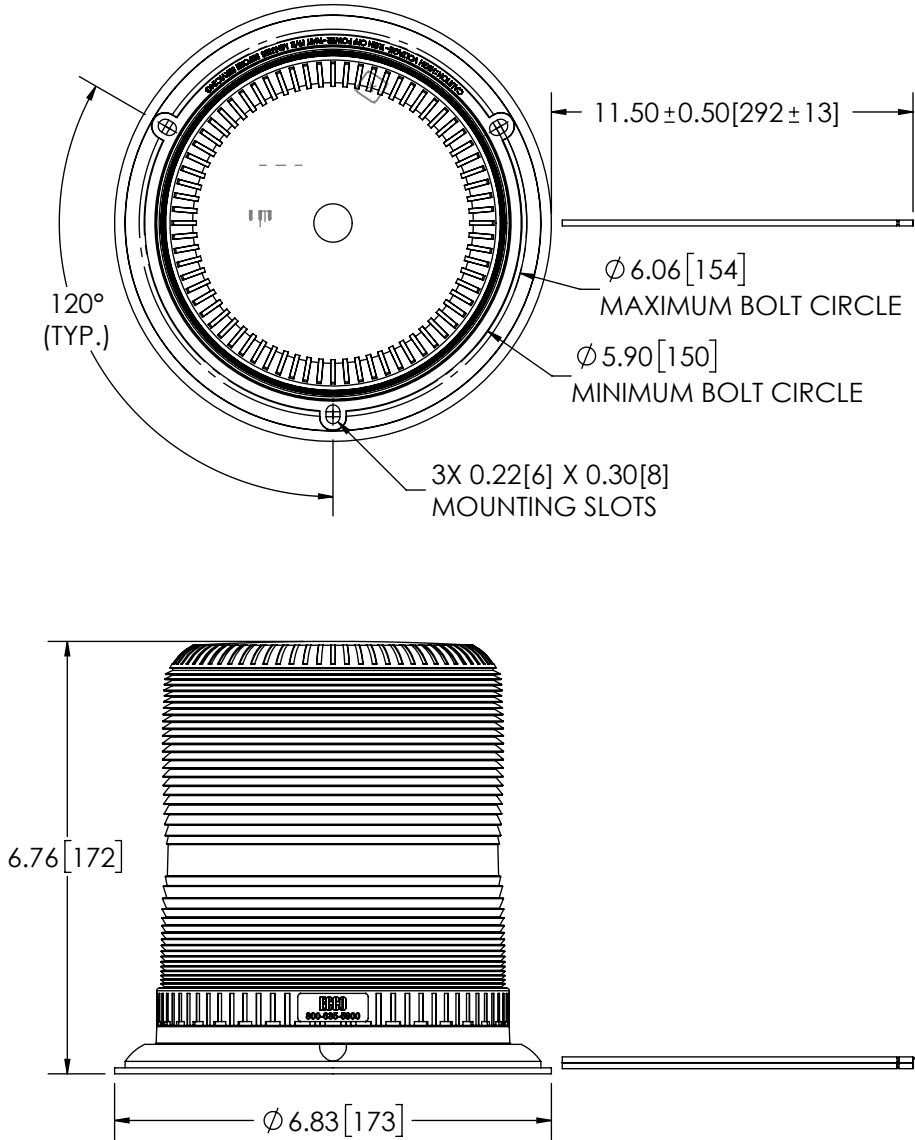


REVISION HISTORY		
REV.	DESCRIPTION	DATE
C	REVISE PER P13002	2014-05-05
D	REVISE PER P13002	2014-09-18
E	REVISE PER P13002	2017-08-28

SPECIFICATIONS


- CERTIFICATIONS: **CE**; ECE R10; SAE J1318 (MAY 1998), CLASS 2, YELLOW (AMBER); IP66
 Note: Unique components, accessories, and hardware kits are not typically Included in the Product Certification Test Protocols. Unless otherwise Specified, the Product Certifications referred to herein are predicated upon the base product model configuration.
- FLASH MODE: QUAD : 65 ± 5 FLASHES PER MINUTE
 DOUBLE : 80 ± 5 FLASHES PER MINUTE
- VOLTAGE (NOMINAL): 12 to 24 VDC
- VOLTAGE (EXTREME): 10.0 to 32.0 VDC
- CURRENT (PEAK): 4.1A (@ 12 VDC NOMINAL)
- POWER (MAXIMUM): 49.2W (@ 12 VDC NOMINAL)
- TEMPERATURE RANGE: -22°F (-30°C) TO 122°F (50°C)
- CONNECTION: 2-16 AWG WIRES
- MOUNTING: FLANGE MOUNT, PIPE MOUNT
- BASE MATERIAL: ALUMINUM
- LENS MATERIAL: POLYCARBONATE
- PRODUCT WEIGHT: 3.1 LBS (1.4 Kg)

COLOR CHART	
FGS P/N	COLOR
6770A	AMBER



2-16 AWG WIRES
 RED (+) POSITIVE
 BLACK (-) NEGATIVE

NOTES:
 1. DIMENSIONS IN INCHES[MILLIMETERS (FOR REFERENCE)]

SCALE 1:3		APPROVALS	DATE	 ECCO [®] www.eccolink.com Americas (800) 635-5900 Europe +44 (0)113 237 5340 Asia Pacific +61 (0)3 63322444
CAD GENERATED DRAWING DO NOT MANUALLY UPDATE. MODEL REFERENCED: C		DRAWN BY	2017-06-21	
TOLERANCES ARE IN INCHES, AND MILLIMETERS TOLERANCES UNLESS OTHERWISE STATED ARE:		CHECKED ABD	2017-06-22	STROBE, SUPER DUTY, 360°, 12-24VDC CUSTOMER PART NO. SEE CHART
MILLIMETERS DECIMALS	INCHES DECIMALS	MECH. ENG.		
XX. ± 1.0mm	X.X ± 0.1	ELEC. ENG.		PRODUCT SERIES: 6700
XX.X ± 0.5mm	X.XX ± 0.04	TEST ENG. JRT	2017-06-21	SIZE: A DWG. NO. 6770X SHEET 1 OF 1 Project: 99070 Date Created: 2001-04-26
	X.XXX ± 0.02	SALES. ARS	2017-06-21	
THIRD ANGLE PROJECTION		Electronically Controlled Use Latest Copy		REV. E

NON DISCLOSURE AGREEMENT
 THIS DRAWING AND THE DESIGN IT DISCLOSES ARE THE PRIVATE PROPERTY OF ELECTRONIC CONTROLS CO. AND IS ISSUED IN CONFIDENCE FOR ENGINEERING INFORMATION ONLY. THE DRAWING AND / OR DESIGN MAY NOT BE USED, COPIED, REPRODUCED, OR OTHERWISE DISCLOSED IN PART OR AS A WHOLE TO OUTSIDERS OR USED FOR ANY OTHER PURPOSE WITHOUT THE PRIOR WRITTEN CONSENT OF ELECTRONIC CONTROLS CO. THE DRAWING IS SUBJECT TO RECALL AT ANY TIME. YOUR POSSESSION OF THIS DOCUMENT CONSTITUTES ACCEPTANCE OF THESE TERMS. © 2001 ELECTRONIC CONTROLS CO.