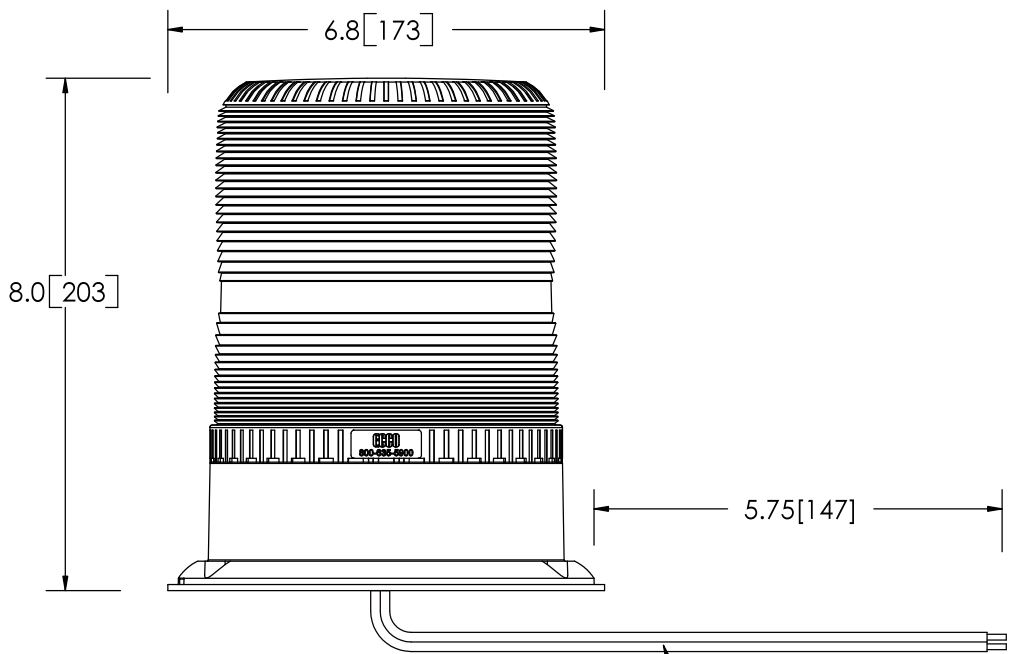
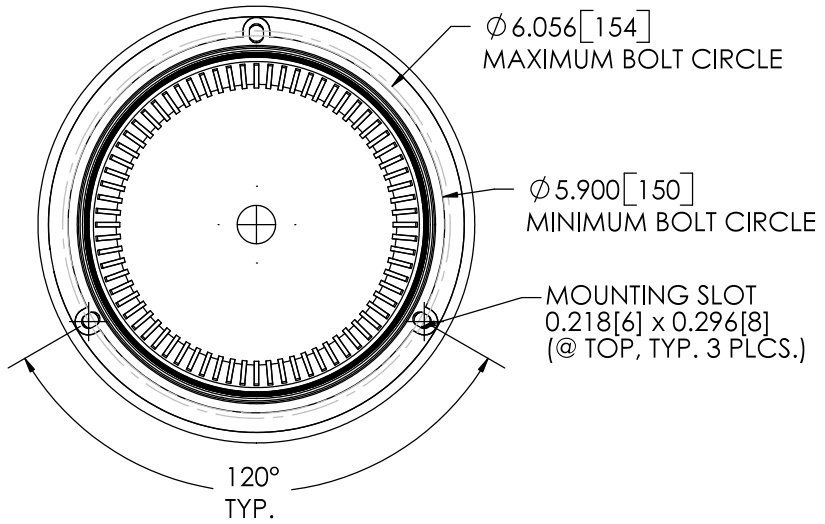


REVISION HISTORY		
REV.	DESCRIPTION	DATE
A	INITIAL RELEASE PER P3# 99071	2001-04-26
B	RESTORED ELECT FILE & CHGD SPECS PER CR# 1138	2002-07-08



SPECIFICATIONS

- MANUFACTURER CERTIFIES THAT THIS WARNING LIGHT MEETS SAE J1318 SPECIFICATIONS, CLASS 1, AMBER & CLEAR LENSES
- VOLTAGE (NOMINAL): 12 - 24 VDC
- VOLTAGE (EXTREME): 10 - 32 VDC
- CURRENT (NOMINAL): 2.9 A
- POWER (NOMINAL): 35 W
- TEMPERATURE:
 LOW: $-22^{\circ} \pm 5^{\circ}F (-30^{\circ} \pm 3^{\circ}C)$
 HIGH: $122^{\circ} \pm 5^{\circ}F (50^{\circ} \pm 3^{\circ}C)$
- FLASH RATE:
 65 \pm 5 QUAD FLASHES PER MINUTE
 80 \pm 5 DOUBLE FLASHES PER MINUTE
- CONNECTION: 16 AWG BLUNT CUT WIRE
- MOUNTING: FLANGE, PIPE MOUNT
- BASE MATERIAL: ALUMINUM
- LENS MATERIAL: POLYCARBONATE; AVAILABLE IN AMBER, BLUE, CLEAR, GREEN & RED
- WEIGHT: 2.4 LBS
- CERTIFICATIONS: CE e AMECA

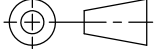
NOTES
 1. WIRE LENGTH TOLERANCE IS $\pm .05"$ [12mm]
 2. DIMENSIONS IN INCHES [MILLIMETERS]

NON DISCLOSURE AGREEMENT

THIS DRAWING AND THE DESIGN IT DISCLOSES ARE THE PRIVATE PROPERTY OF ECCO AND IS ISSUED IN CONFIDENCE FOR ENGINEERING INFORMATION ONLY. THE DRAWING AND / OR DESIGN MAY NOT BE USED, COPIED, REPRODUCED, OR OTHERWISE DISCLOSED IN PART OR AS A WHOLE TO OUTSIDERS OR USED FOR ANY OTHER PURPOSE WITHOUT THE PRIOR WRITTEN CONSENT OF ECCO. THE DRAWING IS SUBJECT TO RECALL AT ANY TIME. YOUR POSSESSION OF THIS DOCUMENT CONSTITUTES ACCEPTANCE OF THESE TERMS. © 2002 ECCO

CAD GENERATED DRAWING
DO NOT MANUALLY UPDATE.
MODEL REFERENCED: A

THIRD ANGLE PROJECTION



APPROVALS		DATE
DRAWN BY	RAM	
CHECKED		
ELEC. ENG.		
TEST ENG.		
SALES		

Electronic Controls Co.
 An Employee Owned Company
 800-635-5900 P.O.BOX 7246,BOISE,ID 83707

STROBE,360*,12-24VDC,HIGH INTNSTY

Project:99071	Date Created:2001-04-26
SIZE DWG. NO.	
A 6990X	REV. B
SCALE 1:3	PREPARED PER ASME 14.100M-1998 / ASME Y14.1-1995
SHEET 1 OF 1	