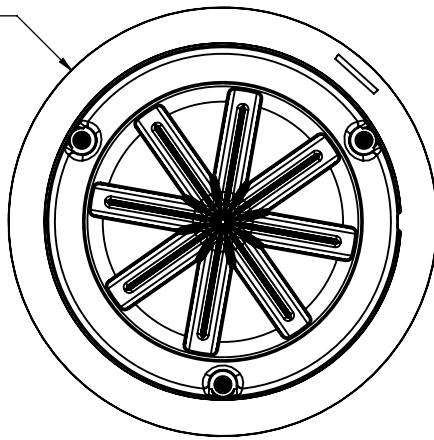
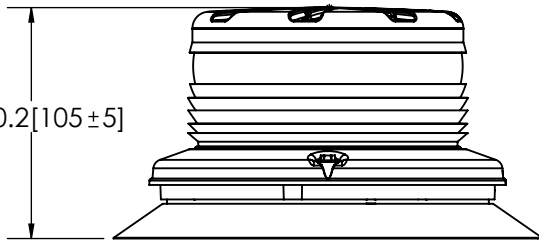


Ø 7.8±0.2 [198±5]



4.1 ± 0.2 [105 ± 5]



15' [4572] CORD W/ SINGLE SWITCH LIGHTER ADAPTER


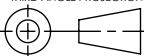


REVISION HISTORY		
REV.	DESCRIPTION	DATE
C	REVISE PER LM14250	2015-05-07
D	REVISE PER EC4573	2017-06-29
E	REVISED PER EC5658	2021-03-23

SPECIFICATIONS

- CERTIFICATIONS: **CE**; ECE R10; SAE (SEE CHART); IP66
 Note: Unique components, accessories, and hardware kits are not typically Included in the Product Certification Test Protocols. Unless otherwise Specified, the Product Certifications referred to herein are predicated upon the base product model configuration.
- FLASH MODE: PULSE8 : 80 ± 5 FLASHES PER MINUTE
- VOLTAGE (NOMINAL): 12-24 VDC
- VOLTAGE (EXTREME): 9-32 VDC
- CURRENT (PEAK): SEE CHART (@ 12 VDC NOMINAL)
- POWER (MAXIMUM): SEE CHART (@ 12 VDC NOMINAL)
- TEMPERATURE RANGE: -22°F (-30°C) TO 122°F (50°C)
- CONNECTION: 2-CONDUCTOR CABLE W/LIGHTER ADAPTOR
- MOUNTING: VACUUM MAGNET
- BASE MATERIAL: GLASS FILL POLYPROPYLENE
- LENS MATERIAL: POLYCARBONATE
- PRODUCT WEIGHT: 2.5 LBS (1.13 Kg)

FGS. PRODUCT CHART				
FGS. NO.	COLOR	CURRENT (PEAK) A	POWER (MAX) W	J845 (JUN 2013)
7460A-VM	AMBER	3.6	46.3	CLASS I
7460B-VM	BLUE	3.6	46.3	CLASS II
7460G-VM	GREEN	3.8	48.4	-
7460R-VM	RED	3.9	49.7	CLASS I

SCALE 1:3.5	APPROVALS	DATE	 ECCO [®] www.eccolink.com Americas (800) 635-5900 Europe +44 (0)113 237 5340 Asia Pacific +61 (0)3 63322444													
CAD GENERATED DRAWING DO NOT MANUALLY UPDATE. MODEL REFERENCED: C	DRAWN BY ABD	2020-01-13	LED BEACON,360*,12-24VDC,VM													
	CHECKED ABB	2020-01-14														
TOLERANCES ARE IN INCHES, AND MILLIMETERS TOLERANCES UNLESS OTHERWISE STATED ARE:	MECH. ENG. JLA	2020-01-13	CUSTOMER PART NO. SEE CHART													
	ELEC. ENG. SPO	2020-01-13			PRODUCT SERIES: 7460											
<table border="1"> <tr> <th>MILLIMETERS DECIMALS</th> <th>INCHES DECIMALS</th> <th>ANGLES</th> </tr> <tr> <td>XX. ± 1.0mm</td> <td>X.X ± 0.1</td> <td>± 0.5°</td> </tr> <tr> <td>XX.X ± 0.5mm</td> <td>X.XX ± 0.04</td> <td>FRACTIONS</td> </tr> <tr> <td></td> <td>X.XXX ± 0.02</td> <td>± 1/64</td> </tr> </table>	MILLIMETERS DECIMALS	INCHES DECIMALS	ANGLES	XX. ± 1.0mm			X.X ± 0.1	± 0.5°	XX.X ± 0.5mm	X.XX ± 0.04	FRACTIONS		X.XXX ± 0.02	± 1/64	TEST ENG. RM	2020-01-27
MILLIMETERS DECIMALS	INCHES DECIMALS	ANGLES														
XX. ± 1.0mm	X.X ± 0.1	± 0.5°														
XX.X ± 0.5mm	X.XX ± 0.04	FRACTIONS														
	X.XXX ± 0.02	± 1/64														
	SALES. ARS	2020-01-21	Project: 08023 Date Created: 2008-11-10													
THIRD ANGLE PROJECTION 		Electronically Controlled Use Latest Copy SHEET 1 OF 1														

NOTES:
 1. DIMENSIONS IN INCHES [MILLIMETERS (FOR REFERENCE)]

NON DISCLOSURE AGREEMENT

THIS DRAWING AND THE DESIGN IT DISCLOSES ARE THE PRIVATE PROPERTY OF ELECTRONIC CONTROLS CO. AND IS ISSUED IN CONFIDENCE FOR ENGINEERING INFORMATION ONLY. THE DRAWING AND / OR DESIGN MAY NOT BE USED, COPIED, REPRODUCED, OR OTHERWISE DISCLOSED IN PART OR AS A WHOLE TO OUTSIDERS OR USED FOR ANY OTHER PURPOSE WITHOUT THE PRIOR WRITTEN CONSENT OF ELECTRONIC CONTROLS CO. THE DRAWING IS SUBJECT TO RECALL AT ANY TIME. YOUR POSSESSION OF THIS DOCUMENT CONSTITUTES ACCEPTANCE OF THESE TERMS. © 2008 ELECTRONIC CONTROLS CO.