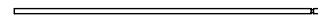
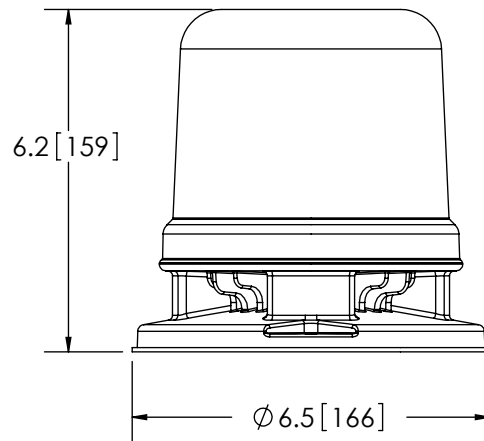


2-18 AWG WIRES
 RED - POSITIVE(+)
 BLACK - NEGATIVE(-)

REVISION HISTORY		
REV.	DESCRIPTION	DATE
05	UPDATED FGS PRODUCT CHART PER P3# 08022	2009-10-30
A	INITIAL RELEASE P3# 08022	2010-12-17
B	REVISE PER P10011	2011-11-04

SPECIFICATIONS

- CERTIFICATIONS: SEE CHART
 Note: Unique components, accessories, and hardware kits are not typically included in the Product Certification Test Protocols. Unless otherwise Specified, the Product Certifications referred to herein are predicated upon the base product model configuration.
- FLASH MODE: DUAL ROTATOR: 125 ± 5 FLASHES PER MINUTE
- VOLTAGE (NOMINAL): 12 to 24 VDC
- VOLTAGE (EXTREME): 9.0 to 32.0 VDC
- CURRENT (PEAK): SEE CHART (@ 12 VDC NOMINAL)
- POWER (MAXIMUM): SEE CHART (@ 12 VDC NOMINAL)
- TEMPERATURE RANGE: -22°F (-30°C) TO 122°F (50°C)
- CONNECTION: 2-18 AWG WIRES
- MOUNTING: FLANGE MOUNT
- BASE MATERIAL: ALUMINIUM
- LENS MATERIAL: POLYCARBONATE
- PRODUCT WEIGHT: 2.5 LBS



FGS PRODUCT CHART								
FGS. NO.	COLOR	CURRENT (PEAK)	POWER (MAX)	CE e	IP 67D	SAE J845	ECE R65	AMECA
7660CA	AMBER	2.3 A	29.7 W	X X	X	CLASS 1	N/A	X
7660CB	BLUE	3.6 A	29.4 W	X X	X	CLASS 1	X	X
7660CC	CLEAR	1.9 A	28 W	X X	X	CLASS 1	N/A	X
7660CG	GREEN	1.9 A	28 W	X X	X	N/A	N/A	X
7660CR	RED	2.2 A	26.5 W	X X	X	CLASS 2	N/A	X

SCALE 1:3.5		APPROVALS	DATE
CAD GENERATED DRAWING DO NOT MANUALLY UPDATE. MODEL REFERENCED: B		DRAWN BY MDH	2011-10-17
TOLERANCES ARE IN INCHES, AND MILLIMETERS TOLERANCES ARE:		CHECKED BND	2011-10-18
MILLIMETERS DECIMALS XX. ± 1.0mm XX.X ± 0.5mm	INCHES DECIMALS X.X ± 0.1 X.XX ± 0.04 X.XXX ± 0.02	MECH. ENG. JLA	2011-10-17
		ELEC. ENG. TJT	2011-10-31
		TEST ENG. JRT	2011-10-21
		SALES. WNH	2011-10-18

ECCO® Electronic Controls Co.
 833 West Diamond Street, Boise, ID 83705
 800-635-5900
 www.eccolink.com

LED HYBRID BEACON, 12-24VDC

CUSTOMER PART NO. SEE CHART		PRODUCT SERIES: 7660	
SIZE: A	DWG. NO. 7660XX	REV. B	
SHEET 1 OF 1		Project: 08022	Date Created: 2008-06-24

NOTES:
 1. DIMENSIONS IN INCHES [MILLIMETERS (FOR REFERENCE)]

NON DISCLOSURE AGREEMENT

THIS DRAWING AND THE DESIGN IT DISCLOSES ARE THE PRIVATE PROPERTY OF ECCO AND IS ISSUED IN CONFIDENCE FOR ENGINEERING INFORMATION ONLY. THE DRAWING AND / OR DESIGN MAY NOT BE USED, COPIED, REPRODUCED, OR OTHERWISE DISCLOSED IN PART OR AS A WHOLE TO OUTSIDERS OR USED FOR ANY OTHER PURPOSE WITHOUT THE PRIOR WRITTEN CONSENT OF ECCO. THE DRAWING IS SUBJECT TO RECALL AT ANY TIME. YOUR POSSESSION OF THIS DOCUMENT CONSTITUTES ACCEPTANCE OF THESE TERMS. © 2008 ECCO

