



Installation and Operation Instructions

Camera/Monitor System

IMPORTANT! Read all instructions before installing and using. Installer: This manual must be delivered to the end user.



WARNING!

Failure to install or use this product according to manufacturer's recommendations may result in property damage, serious injury, and/or death to those you are seeking to protect!

Do not install and/or operate this safety product unless you have read and understood the safety information contained in this manual.

1. Proper installation combined with operator training in the use, care, and maintenance of emergency warning devices are essential to ensure the safety of emergency personnel and the public.
2. Emergency warning devices often require high electrical voltages and/or currents. Exercise caution when working with live electrical connections.
3. This product must be properly grounded. Inadequate grounding and/or shorting of electrical connections can cause high current arcing, which can cause personal injury and/or severe vehicle damage, including fire.
4. Proper placement and installation is vital to the performance of this warning device. Install this product so that output performance of the system is maximized and the controls are placed within convenient reach of the operator so that they can operate the system without losing eye contact with the roadway.
5. Do not install this product or route any wires in the deployment area of an air bag. Equipment mounted or located in an air bag deployment area may reduce the effectiveness of the air bag or become a projectile that could cause serious personal injury or death. Refer to the vehicle owner's manual for the air bag deployment area. It is the responsibility of the user/operator to determine a suitable mounting location ensuring the safety of all passengers inside the vehicle particularly avoiding areas of potential head impact.
6. It is the responsibility of the vehicle operator to ensure daily that all features of this product work correctly. In use, the vehicle operator should ensure the projection of the warning signal is not blocked by vehicle components (i.e., open trunks or compartment doors), people, vehicles or other obstructions.
7. The use of this or any other warning device does not ensure all drivers can or will observe or react to an emergency warning signal. Never take the right-of-way for granted. It is the vehicle operator's responsibility to be sure they can proceed safely before entering an intersection, drive against traffic, respond at a high rate of speed, or walk on or around traffic lanes.
8. This equipment is intended for use by authorized personnel only. The user is responsible for understanding and obeying all laws regarding emergency warning devices. Therefore, the user should check all applicable city, state, and federal laws and regulations. The manufacturer assumes no liability for any loss resulting from the use of this warning device.

Specifications

Camera	EC2014-C
Image	1/3" CMOS Color Effective Pixels: 725 x 488
Voltage Requirement	12V
Power Consumption	3 W
Lens	F=2.8mm / F=2.0
Lens Angle	120°
Audio	Yes
Light Sensor	Auto Switch B&W
Infrared LEDs	11 (10M Max. Visibility)
Pigtail Connection: CAM	Male 4 Pin Threaded
Housing	Aluminum Alloy
Mech. Vibration	10g
Weight	0.74 lbs
Dimensions (WxHxD)	2.87"x2.99"x2.60"
Operating Temp.	-22°F to 158°F
IP Rating	IP69K
Approvals	FCC, CE, C-Tick, E13/R10
Current Draw	0.25A

Monitors	EC5603-M 5.6" LCD Monitor	EC7003-M 7" LCD Monitor
Image	5.6" LCD Color, 4:3	7" LCD Color, 16:9
Controller	Internal/3 Camera	Internal/3 Camera
Voltage	12/24VDC	12/24VDC
Power Consumption	5 W	4 W
Mirror Imaging	Yes (via Camera and Monitor Switch)	Yes (via Camera and Monitor Switch)
Split Screen Feature	No	No
AV Compatible	No	No
DVR Compatible	No	No
Audio	Yes	Yes
Contrast/Brightness	Yes	Yes
Light Sensor	Day/Night Auto Dim	Day/Night Auto Dim
Camera Selection	Trigger Wires and Monitor	Trigger Wires and Monitor
Connection: CAM	Female 4 Pin Threaded	Female 4 Pin Threaded
Connection (Monitor Pigtail)	Male 13 Pin	Male 13 Pin
Connection: CB	N/A	N/A
Housing	Plastic	Plastic
Mounting	Permanent - HD (2 bracket options provided)	Permanent - HD (2 bracket options provided)
Mech. Vibration	Pedestal Bracket - 3g Cradle Bracket - 8g	Pedestal Bracket - 3g Cradle Bracket - 8g
Weight	2.67 lbs	3.34 lbs
Dimensions (WxHxD)	6.32"x4.52"x1.07"	7.28"x5.07"x1.06"
Operating Temp	-4°F to 158°F	-4°F to 158°F
Remote Control	Yes	Yes
Current Draw	0.4A	0.3A
Approvals	FCC, CE, C-Tick, E13/R10	FCC, CE, C-Tick, E13/R10

Installation, Wiring and Function



CAUTION!

When drilling into any vehicle surface, make sure that the area is free from any electrical wires, fuel lines, vehicle upholstery, etc. that could be damaged.

Notes:

1. Larger wires and tight connections will provide longer service life for components. For high current wires it is highly recommended that terminal blocks or soldered connections be used with shrink tubing to protect the connections. Do not use insulation displacement connectors (e.g., 3M Scotchlock type connectors).
2. Route wiring using grommets and sealant when passing through compartment walls. Minimize the number of splices to reduce voltage drop. All wiring should conform to the minimum wire size and other recommendations of the manufacturer and be protected from moving parts and hot surfaces. Looms, grommets, cable ties, and similar installation hardware should be used to anchor and protect all wiring.
3. Fuses or circuit breakers should be located as close to the power takeoff points as possible and properly sized to protect the wiring and devices.
4. Particular attention should be paid to the location and method of making electrical connections and splices to protect these points from corrosion and loss of conductivity.
5. Ground termination should only be made to substantial chassis components, preferably directly to the vehicle battery.
6. Circuit breakers are very sensitive to high temperatures and will "false trip" when mounted in hot environments or operated close to their capacity.

Installation

Camera Model EC2014-C

Important! Mount the camera at a location that provides the best view of the area immediately behind the vehicle. Generally, mounting locations toward the top of the vehicle provide the best field of view. Lower mounting locations reduce the field of view and increase the likelihood of damage from road spray.

1. Find an appropriate location for installation.
2. Drill holes according to the size of U-bracket and fix the U-bracket.
3. Drill a 3/4" (19mm) hole next to U-bracket.
4. Install the camera and sun-visor on U-bracket.
5. Connect the camera tail with the extension cable from inside the vehicle.
6. Loosen the hex head screws and adjust the camera's position to get the best view angle in the monitor.

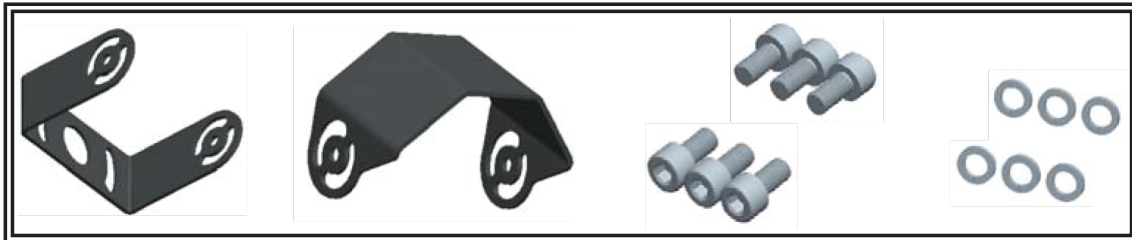


Figure 1

Wiring

Important! Waterproof all connections whether inside or outside the vehicle by using sealant and wrapping with insulation tape. Wrap tape tightly, overlapping by one-half widths so there are no gaps.

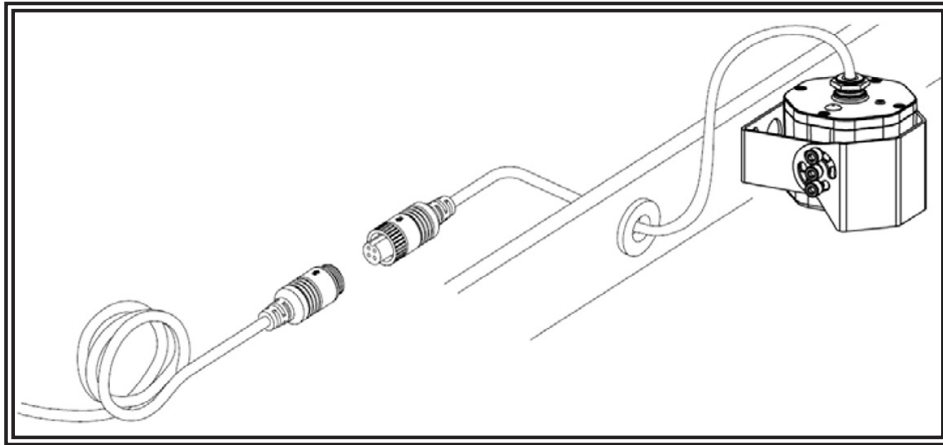
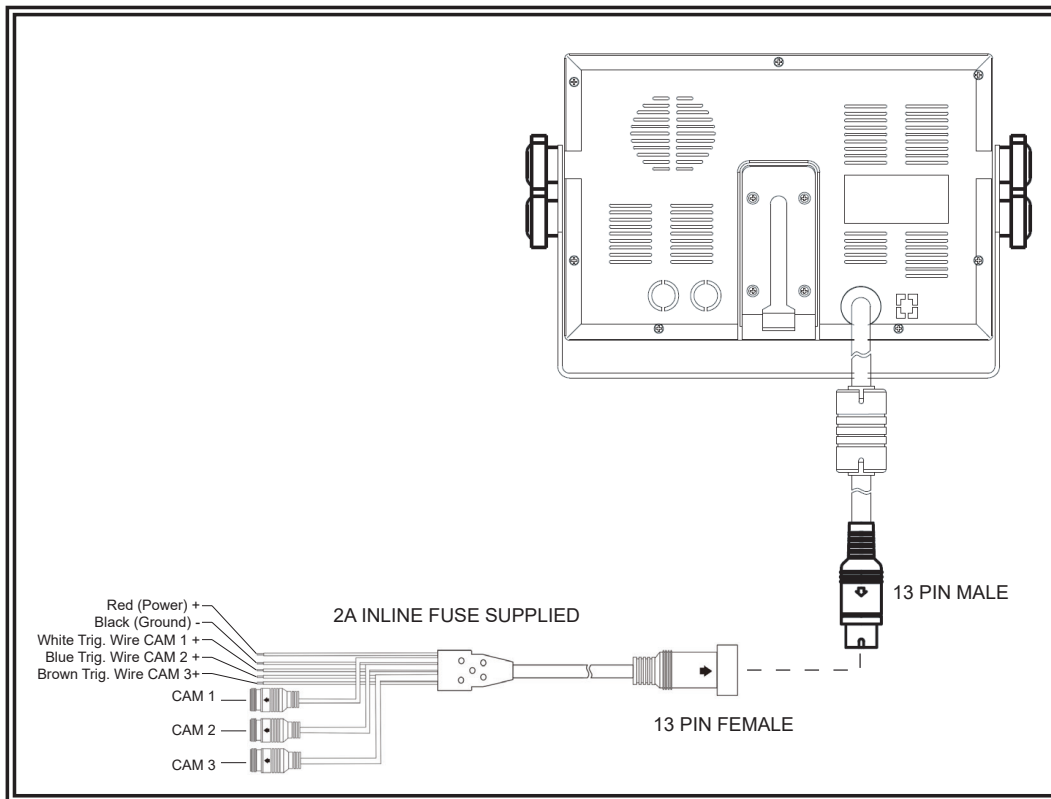


Figure 2



WIRING DEFINED

Monitors

Models EC5603-M and EC7003-M



WARNING!

To prevent accidental shock, DO NOT OPEN THE MONITOR CASE. Opening the monitor case will expose the inside of the monitor to conditions that could adversely affect performance. Any evidence of tampering with sealed components will void the warranty.

Important! Do not expose the monitor to water, it is not waterproof. Any water that leaks into the monitor could cause extensive damage.

Installation: EC5603-M/EC7003-M

Installation instruction of using U-support bracket

1. Select suitable position on vehicle and fix the U-support bracket with screws (Figure 3)
2. Fix the monitor to the U-support bracket with angle adjustment screws and adjust the view angle of the monitor
3. Put on the sun-visor and connect the monitor with the AV and power supply conversion cable (Figure 4)

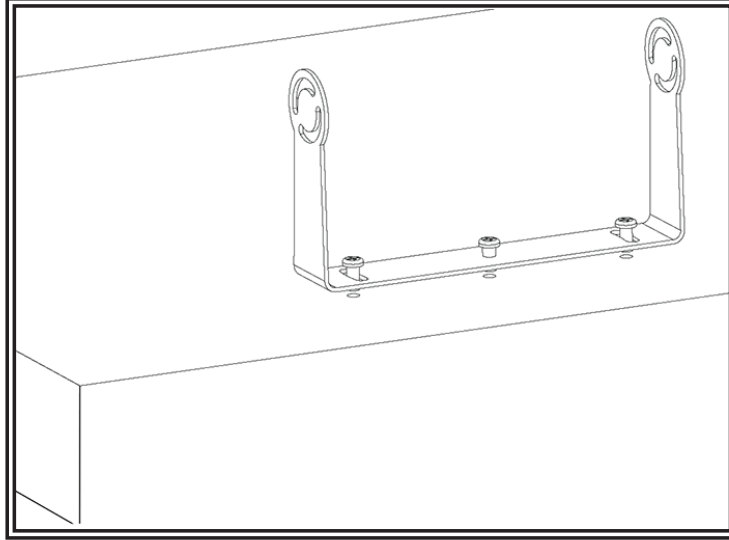


Figure 3

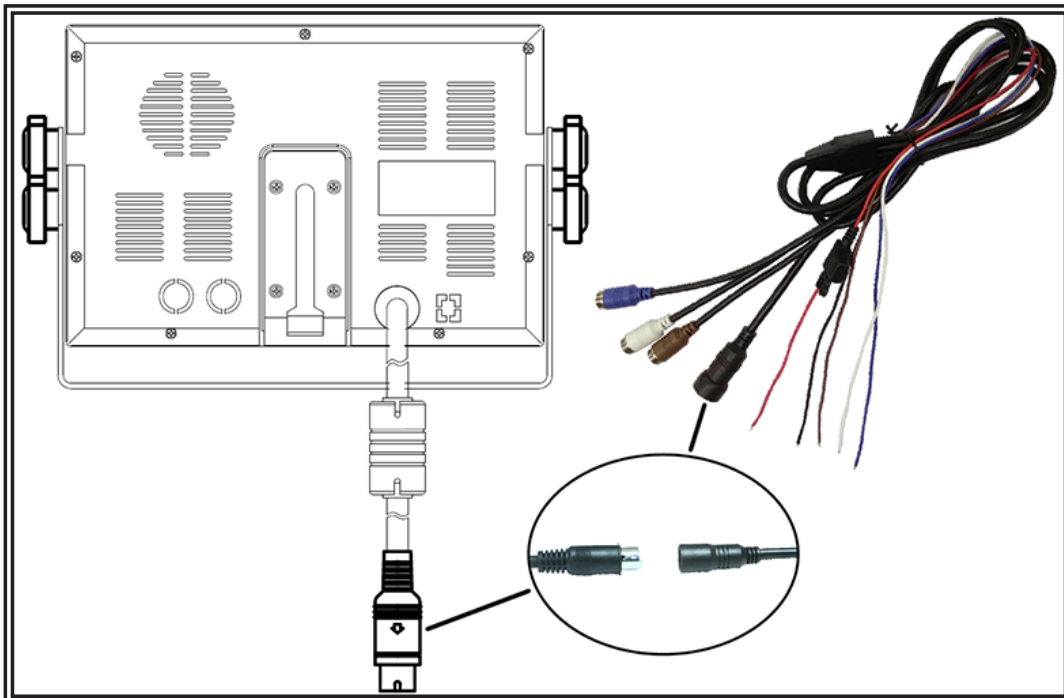


Figure 4

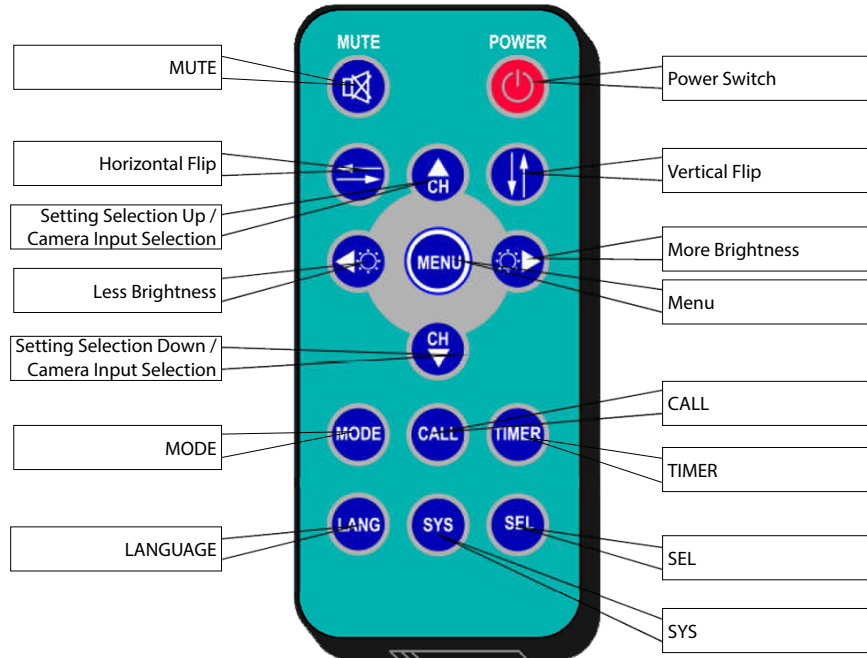
Installation instruction of using pedestal base

1. Select suitable position on vehicle and fix the base support. (Figure 5)
2. Fix the monitor to the base support and adjust the view angle.
3. Put on the sun-visor and connect the monitor with the AV and power supply conversion cable. (Figure 4)



Figure 5

Remote Control Operation



Important!

1. Please align the remote control with the infrared-receiving window on the monitor to operate.
2. Never disassemble the remote control or allow it to drop, or become wet.
3. Press the control buttons firmly. Allow 2 seconds for the picture to change



MUTE:

Press to select ENABLE/MUTE sound.



POWER (Power Switch):

Press to turn on/off the monitor.



(Horizontal Turning of Picture):

Press to turn the picture horizontally.



(Vertical Turning of Picture):

Press to turn the picture vertically.



(Channel Selection + / Camera Input Selection):

Press to select the upper setting.



(Channel Selection - / Camera Input Selection):

Press to select the lower setting or display the scale.



(Brightness -):

Press to decrease brightness.



(Brightness +):

Press to increase brightness.



MENU:

Press to show menu.



MODE:

Inactive Feature.



CALL:

Scale ON/OFF (Display Mode).



TIMER:

Inactive Feature.



LANG (Language Selection):

Press to select language display of English, Deutsch, Français, Español, Português, Italiano, Nederlands, or Русский options.



SYS:

Press to change resolution.

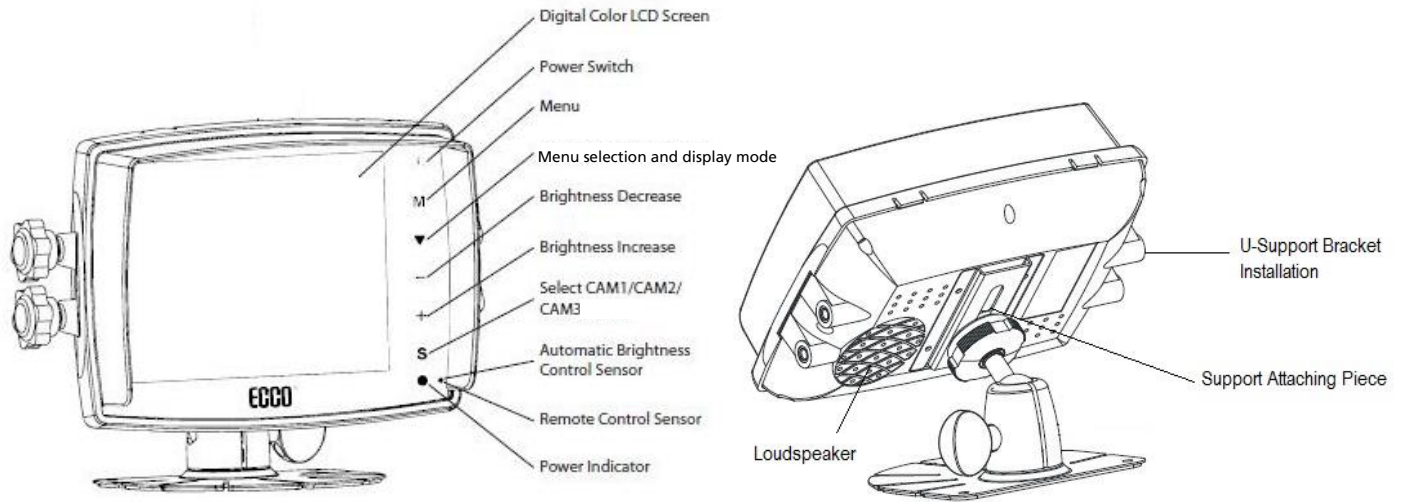


SEL:

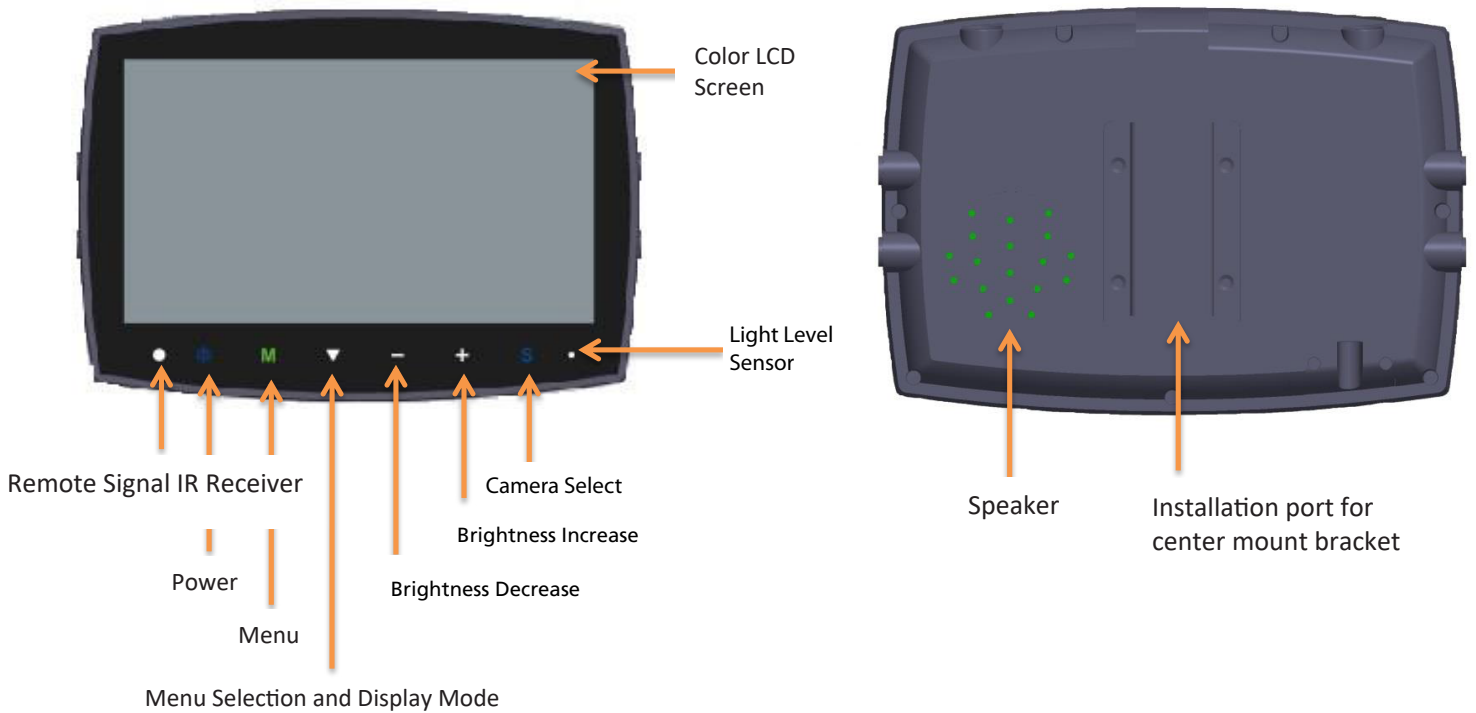
Press to select CAM channels.

Monitor Parts Identification

EC5603-M




EC7003-M



Menu Operations

Press the Menu button on the remote control  or the Menu button on the monitor screen. 

Press the Menu button several times to go from one menu to another. Use the channel up/down on the remote control or the down button  on the monitor screen highlight a menu.

To select the highlighted menu, either use the right brightness color on the remote control or the + button on the monitor screen. Press the less brightness button on the remote control or the – button on the monitor screen to go back to the previous menu.



Main Menu	Menu	Options
Press Menu 1 time Picture	Brightness	Adjust brightness
	Contrast	Adjust contrast
	Color	Adjust color
	Volume	Adjust volume
	Reset	Reset all menu settings using left or right arrow
	Software Version	View Software Version
Press Menu 2 times Option	Cam 1	Normal/Mirror
	Cam 2	Normal/Mirror
	Cam 3	Normal/Mirror
Press Menu 3 times Systems	Language	English
		Deutsch
		Français
		Español
		Português
		Italiano
		Nederlands
		Русский
	Resolution	Auto
		NTSC
		PAL
		720P25
		720P30
	1080P25	
	1080P30	
	Background	Blue/Black
	Rear-Trigger-Scale	On/Off
	Auto-dim	On/Off
	Day	Adjust brightness
	Night	Adjust brightness
Press Menu 4 times Auto Scan	Auto Scan	On/Off
	Scan Time	1-100 seconds
	Cam1	On/Off
	Cam 2	On/Off
Press Menu 5 times Scale	Cam 3	On/Off
	Cam 1	On/Off
	Cam 2	On/Off
	Cam 3	On/Off
	Cam 1-Scale	↑↓ ←→
	Cam 2-Scale	↑↓ ←→
	Cam 3-Scale	↑↓ ←→
Press menu 6 times Exit Menu		

Manufacturer Limited Warranty and Limitation of Liability:

Manufacturer warrants that on the date of purchase, this product will conform to Manufacturer's specifications for this product (which are available from the Manufacturer upon request). This Limited Warranty extends for twelve (12) months from the date of purchase.

DAMAGE TO PARTS OR PRODUCTS RESULTING FROM TAMPERING, ACCIDENT, ABUSE, MISUSE, NEGLIGENCE, UNAPPROVED MODIFICATIONS, FIRE OR OTHER HAZARD; IMPROPER INSTALLATION OR OPERATION; OR NOT BEING MAINTAINED IN ACCORDANCE WITH THE MAINTENANCE PROCEDURES SET FORTH IN MANUFACTURER'S INSTALLATION AND OPERATING INSTRUCTIONS VOIDS THIS LIMITED WARRANTY.

Exclusion of Other Warranties:

MANUFACTURER MAKES NO OTHER WARRANTIES, EXPRESSED OR IMPLIED. THE IMPLIED WARRANTIES FOR MERCHANTABILITY, QUALITY OR FITNESS FOR A PARTICULAR PURPOSE, OR ARISING FROM A COURSE OF DEALING, USAGE OR TRADE PRACTICE ARE HEREBY EXCLUDED AND SHALL NOT APPLY TO THE PRODUCT AND ARE HEREBY DISCLAIMED, EXCEPT TO THE EXTENT PROHIBITED BY APPLICABLE LAW. ORAL STATEMENTS OR REPRESENTATIONS ABOUT THE PRODUCT DO NOT CONSTITUTE WARRANTIES.

Remedies and Limitation of Liability:

MANUFACTURER'S SOLE LIABILITY AND BUYER'S EXCLUSIVE REMEDY IN CONTRACT, TORT (INCLUDING NEGLIGENCE), OR UNDER ANY OTHER THEORY AGAINST MANUFACTURER REGARDING THE PRODUCT AND ITS USE SHALL BE, AT MANUFACTURER'S DISCRETION, THE REPLACEMENT OR REPAIR OF THE PRODUCT, OR THE REFUND OF THE PURCHASE PRICE PAID BY BUYER FOR NON-CONFORMING PRODUCT. IN NO EVENT SHALL MANUFACTURER'S LIABILITY ARISING OUT OF THIS LIMITED WARRANTY OR ANY OTHER CLAIM RELATED TO THE MANUFACTURER'S PRODUCTS EXCEED THE AMOUNT PAID FOR THE PRODUCT BY BUYER AT THE TIME OF THE ORIGINAL PURCHASE. IN NO EVENT SHALL MANUFACTURER BE LIABLE FOR LOST PROFITS, THE COST OF SUBSTITUTE EQUIPMENT OR LABOR, PROPERTY DAMAGE, OR OTHER SPECIAL, CONSEQUENTIAL, OR INCIDENTAL DAMAGES BASED UPON ANY CLAIM FOR BREACH OF CONTRACT, IMPROPER INSTALLATION, NEGLIGENCE, OR OTHER CLAIM, EVEN IF MANUFACTURER OR A MANUFACTURER'S REPRESENTATIVE HAS BEEN ADVISED OF THE POSSIBILITY OF SUCH DAMAGES. MANUFACTURER SHALL HAVE NO FURTHER OBLIGATION OR LIABILITY WITH RESPECT TO THE PRODUCT OR ITS SALE, OPERATION AND USE, AND MANUFACTURER NEITHER ASSUMES NOR AUTHORIZES THE ASSUMPTION OF ANY OTHER OBLIGATION OR LIABILITY IN CONNECTION WITH SUCH PRODUCT.

This Limited Warranty defines specific legal rights. You may have other legal rights which vary from jurisdiction to jurisdiction. Some jurisdictions do not allow the exclusion or limitation of incidental or consequential damages.



833 West Diamond St, Boise, Idaho 83705
Customer Service USA 800-635-5900
UK +44 (0)113 237 5340 | AUS +61 (0)3 63322444
ECCOESG.com

An ECCO SAFETY GROUP™ Brand
ECCOSAFETYGROUP.com



¡IMPORTANTE! Lea todas las instrucciones antes de instalar y utilizar. Instalador: Este manual se debe entregar al usuario final.



¡ADVERTENCIA!

Si no sigue las instrucciones del fabricante a la hora de instalar o usar el producto, pueden producirse daños materiales, y lesiones graves o incluso mortales a aquellos que pretende proteger!



No instale ni opere este producto de seguridad, a menos que haya leído y comprendido la información de seguridad contenida en este manual.

1. Para garantizar su propia seguridad y la de las personas a las que intenta proteger, es esencial una instalación correcta, combinada con la formación de operador en el uso, cuidado y mantenimiento de los dispositivos de alerta de emergencia.
2. Tenga cuidado cuando manipule conexiones eléctricas con corriente.
3. Este producto debe estar conectado a tierra correctamente. Una conexión a tierra incorrecta o unas conexiones eléctricas cortocircuitadas pueden provocar arcos de corriente alta, lo que puede ocasionar lesiones personales o daños graves en el vehículo, incluso un incendio.
4. La colocación e instalación adecuadas son vitales para el buen funcionamiento de este dispositivo de alarma. Instale este producto de forma que permita un rendimiento óptimo del sistema y los controles estén situados de modo que el operador pueda alcanzarlos cómodamente y manejar el sistema sin perder en ningún momento el contacto visual con la calzada.
5. No instale este producto ni coloque los cables en la zona de despliegue de un airbag. Si el equipo se monta o coloca en la zona de despliegue de un airbag, el airbag perderá eficacia o el equipo puede salir despedido, lo cual puede causar lesiones graves o incluso mortales. Consulte el manual del propietario del vehículo para conocer la zona de despliegue de los airbags. El usuario u operador son responsables de determinar una posición de montaje adecuada que garantice la seguridad de todos los ocupantes del vehículo, y deben evitar zonas que puedan provocar golpes en la cabeza.
6. Es responsabilidad del operador del vehículo asegurarse de que todas las características de este producto funcionan correctamente durante su uso. Durante su uso, el operador del vehículo debe asegurarse de que no haya componentes del vehículo (como los maleteros o puertas del habitáculo abiertos), personas, vehículos u otros obstáculos que bloqueen la señal de alarma.
7. El uso de este o cualquier otro dispositivo de alarma no garantiza que los conductores puedan o quieran observar o reaccionar a la señal de alarma. Nunca dé por hecho que tiene prioridad de paso. Es responsabilidad enteramente suya asegurarse de que puede continuar de forma segura antes de entrar en una intersección, conducir en sentido contrario, responder a una gran velocidad o caminar por los carriles de tráfico o cerca de ellos.
8. El uso de este equipo está destinado exclusivamente a personal autorizado. El usuario es responsable de conocer y acatar todas las leyes vigentes relacionadas con dispositivos de señales de advertencia. Por lo tanto, el usuario debe comprobar todas las leyes y normativas de ámbito metropolitano, regional, nacional y cualquier otro ámbito pertinente. El fabricante no asume responsabilidad alguna por pérdidas derivadas del uso de este dispositivo de alarma.

Especificaciones

Cámara	EC2014-C
Imagen	Color de 1/3 pulg. (86 mm) CMOS Píxeles efectivos: 725 x 488
Requisito de tensión:	12 V
Consumo energético	3 W
Lente	F = 2,8 mm/F = 2,0
Ángulo de la lente	120°
Audio	Sí
Sensor de luz	Interruptor automático a ByN
LED infrarrojos	11 (visibilidad máx. 10 m)
Conexión de cable flexible: CAM	Macho roscado de 4 clavijas
Alojamiento	Aleación de aluminio
Vibración mec.	10 g
Montaje	Trasero/delantero
Peso	0,74 lb (0,34 kg)
Dimensiones (Ancho x Alt. x Prof.)	2,87 pulg. (7,29 cm) x 2,99 pulg. (7,59 cm) x 2,60 pulg. (6,60 cm)
Temp. de funcionamiento	-22°F a 158°F
Clasificación de IP	IP69K
Aprobaciones	FCC, CE, C-Tick, E13/R10
Consumo de corriente	0.25A

Monitores	Monitor LCD EC5603-M de 5,6 pulg.	Monitor LCD EC7003-M de 7 pulg.
Imagen	Color LCD de 5,6 pulg., 4:3	Color LCD de 7 pulg., 16:9
Controlador	Interno/3 cámara	Interno/3 cámara
Tensión	12/24 V CC	12/24 V CC
Consumo energético	5 W	4 W
Imagen de espejo	Sí (mediante el interruptor de cámara y monitor)	Sí (mediante el interruptor de cámara y monitor)
Funcionalidad de pantalla dividida	No	No
Compatible con AV	No	No
Compatible con DVR	No	No
Audio	Sí	Sí
Contraste/brillo	Sí	Sí
Sensor de luz	Atenuación autom. día/noche	Atenuación autom. día/noche
Selección de cámara	Cables de activación y Monitor	Cables de activación y Monitor
Conexión: CAM	Hembra roscada de 4 clavijas	Hembra roscada de 4 clavijas
Conexión (cable flexible del monitor)	Macho de 13 clavijas	Macho de 13 clavijas
Conexión: CB	N/D	N/D
Alojamiento	Plástico	Plástico
Montaje	Permanente - HD (se proveen 2 opciones de soporte)	Permanente - HD (se proveen 2 opciones de soporte)
Vibración mec.	Soporte de pedestal - 3 g Soporte de base - 8 g	Soporte de pedestal - 3 g Soporte de base - 8 g
Peso	2,67 lb (1,21 kg)	3,34 lb (1,51 kg)
Dimensiones (Ancho x Alt. x Prof.)	6,32 pulg. (16,05 cm) x 4,52 pulg. (11,48 cm) x 1,07 pulg. (2,72 cm)	7,28 pulg. (18,49 cm) x 5,07 (12,88 cm) x 1,06 pulg. (2,69 cm)
Temp. de funcionamiento	-4°F a 158°F	-4°F a 158°F
Control remoto	Sí	Sí
Consumo de corriente	0.4A	0.3A
Aprobaciones	FCC, CE, C-Tick, E13/R10	FCC, CE, C-Tick, E13/R10

Instalación, cableado y función



¡PRECAUCIÓN!

Al perforar cualquier superficie del vehículo, asegúrese de que no haya cables eléctricos, mangueras de combustible, tapicería, etc. en el área que pudiesen dañarse.

Notas:

1. Los cables más largos y las conexiones bien ajustadas ofrecerán una mayor vida útil a los componentes. Para cables de alta corriente, se recomienda usar bloques de terminales o conexiones soldadas cuando se intube por contracción para proteger las conexiones. No usa conectores de por desplazamiento en aislamiento (p. ej., conectores tipo Scotchlock de 3M)
2. Enrute el cableado utilizando pasacables y sellante cuando atraviese las paredes del compartimiento. Minimice el número de empalmes para reducir la caída de tensión. Las temperaturas ambiente altas (p. ej., debajo de la cajueta) reducirán significativamente la capacidad de transmisión de la corriente de cables, fusibles e interruptores. Todo el cableado debe estar en conformidad con el tamaño mínimo de cable y otras recomendaciones del fabricante, además de estar protegido de las partes móviles y las superficies calientes. Deben usarse mangueras, pasacables, amarres de cables y accesorios similares de instalación para anclar y proteger todo el cableado.
3. Los fusibles o interruptores deben ubicarse tan cerca de los puntos de toma de potencia como sea posible y deben ajustarse al tamaño exacto para proteger el cableado y los dispositivos.
4. Se debe prestar atención especial a la ubicación y al método para hacer las conexiones eléctricas y empalmes para proteger estos puntos de la corrosión y la pérdida de conductividad.
5. La puesta a tierra solo debe hacerse a componentes sustanciales del chasis, de preferencia directamente a la batería del vehículo.
6. Los interruptores son muy sensibles a altas temperaturas y “se desconectarán falsamente” cuando se monten en ambientes calientes o se operen cerca de su capacidad.

Instalación

Cámara modelo EC2014-C

¡Importante! Monte la cámara en la ubicación que proporcione la mejor vista del área inmediatamente detrás del vehículo. Por lo general, las ubicaciones de montaje hacia la parte superior del vehículo brindan el mejor campo de visión. Las ubicaciones de montaje inferiores reducen el campo de visión y aumentan la probabilidad de daños por rociado del camino.

1. Busque una ubicación adecuada para la instalación.
2. Perfore orificios de acuerdo con el tamaño del soporte en U y fije el soporte en U.
3. Perfore un orificio de 3/4 pulg. (19 mm) a continuación del soporte en U.
4. Instale la cámara y la visera en el soporte en U.
5. Conecte la cola de la cámara con el cable de extensión desde el interior del vehículo.
6. Afloje los tornillos de cabeza hexagonal y ajuste la posición de la cámara para lograr el mejor ángulo de visión en el monitor.

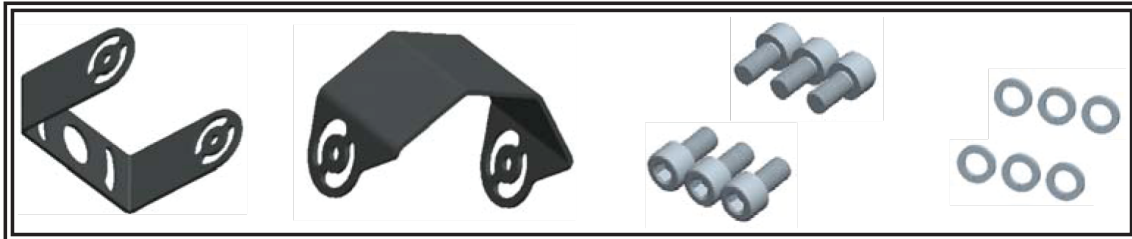


Figura 1

Cableado

¡Importante! Impermeabilice todas las conexiones dentro y fuera del vehículo con un sellador y cinta aisladora. Aplique la cinta con firmeza, superponiendo la mitad del ancho para que no haya espacios libres.

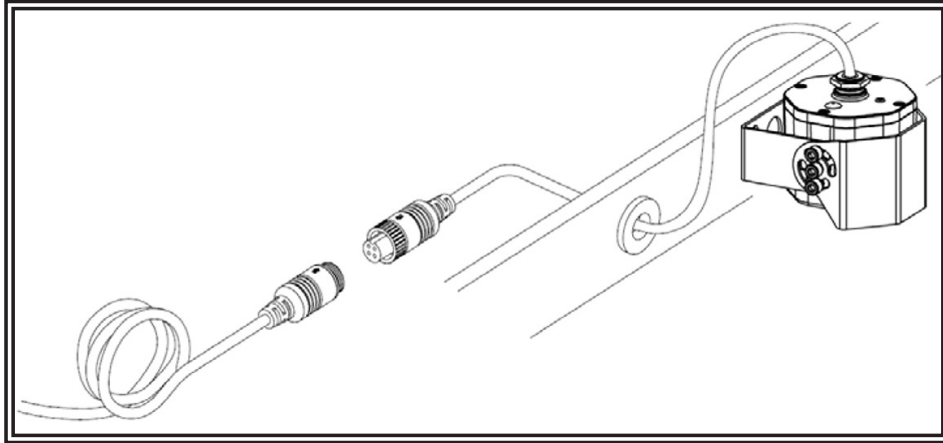
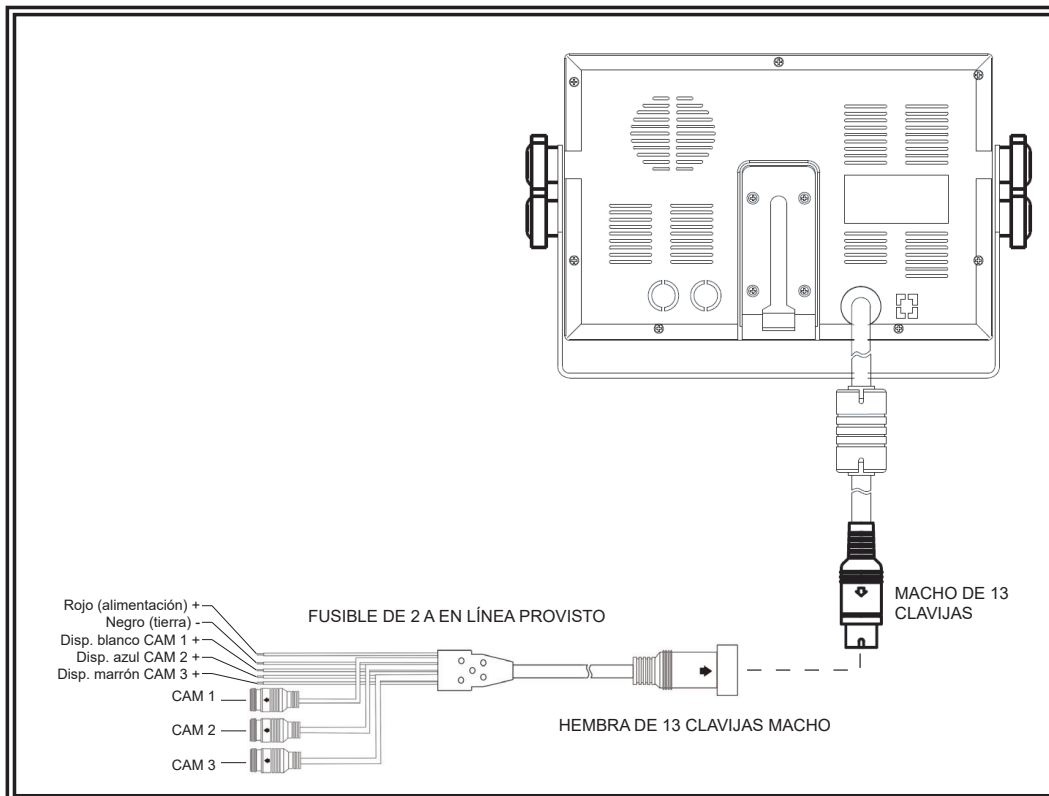


Figura 2



DEFINICIÓN DEL CABLEADO

Monitores

Modelos EC5603-M y EC7003-M



¡ADVERTENCIA!

Para evitar una descarga eléctrica accidental, **NO ABRA LA CAJA DEL MONITOR**. Al abrir la caja del monitor, el interior quedará expuesto a condiciones que podrían afectar el desempeño en forma adversa. Cualquier evidencia de alteración de los componentes sellados anulará la garantía.

¡Importante! No exponga el monitor al agua; no es impermeable. Toda el agua que se filtre dentro del monitor podría causar daños importantes.

Instalación: EC5603-M/EC7003-M

Instrucción de instalación usando el soporte en U

1. Seleccione una posición adecuada en el vehículo y fije el soporte en U con tornillos (Figura 3)
2. Fije el monitor al soporte en U con tornillos de ajuste en ángulo y ajuste el ángulo de visión del monitor
3. Coloque la visera y conecte el monitor con el cable de conversión de AV y de la fuente de alimentación (Figura 4).

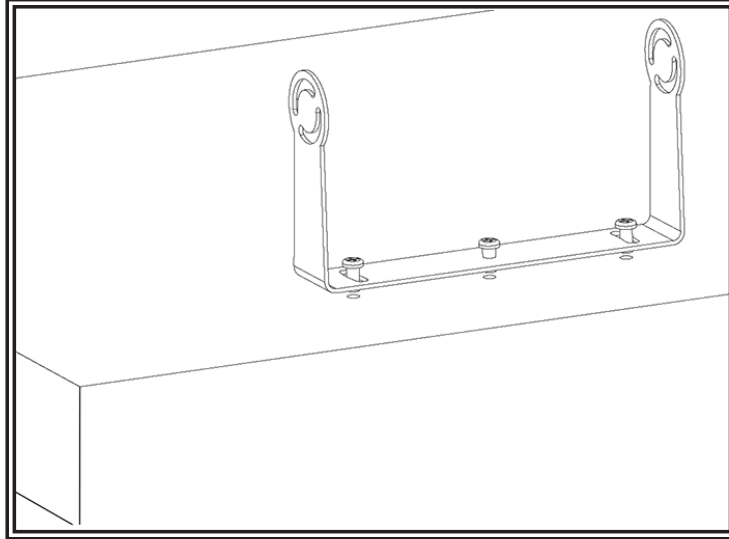


Figura 3

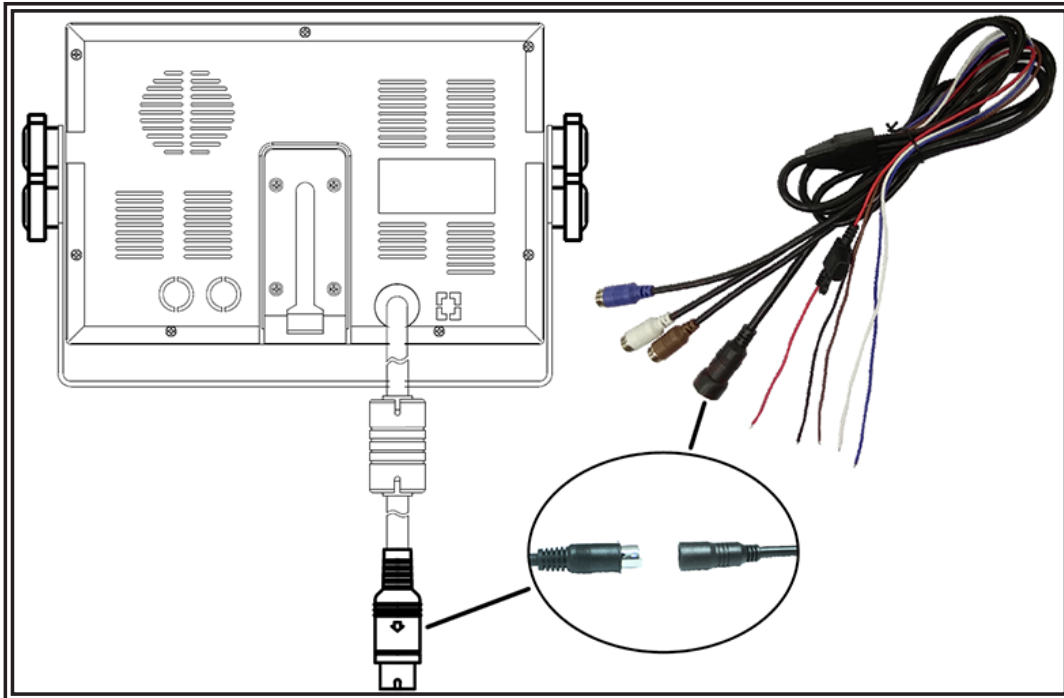


Figura 4

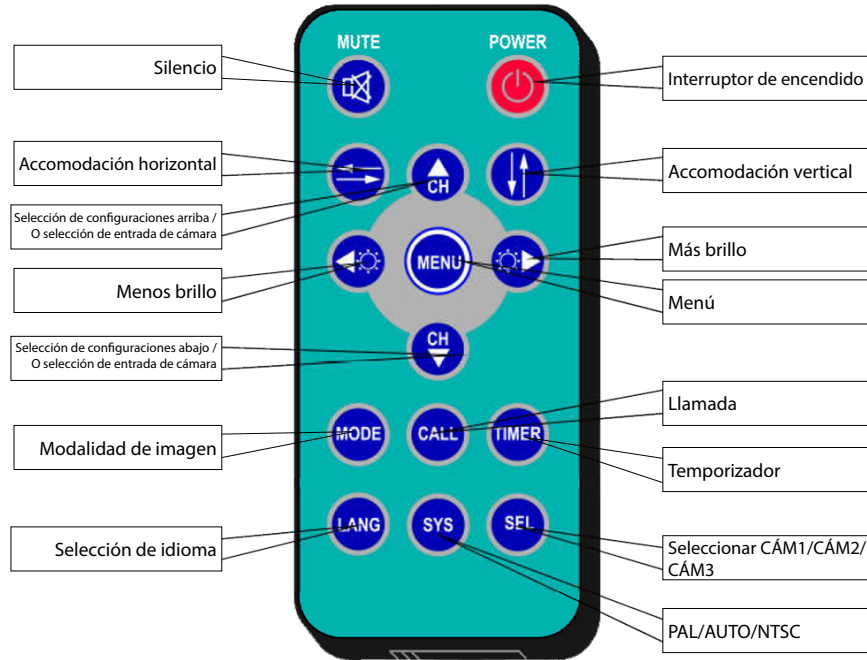
Instrucción de instalación usando la base de pedestal

1. Seleccione una posición adecuada en el vehículo fije el soporte de la base. (Figura 5)
2. Fije el monitor al soporte de la base y ajuste el ángulo de visión.
3. Coloque la visera y conecte el monitor con el cable de conversión de AV y de la fuente de alimentación (Figura 4).



Figura 5

Funcionamiento del control remoto:



¡Importante!

1. Alinee el control remoto con la ventana con recepción infrarroja en el monitor para que funcione.
2. No desarme nunca el control remoto ni deje que se caiga o humedezca.
3. Presione firmemente el botón del control. Espere 2 segundos para que cambie la imagen.



SILENCIO:

Presione seleccionar PERMITIR/SILENCIAR el sonido.



ENCENDIDO (Interruptor de encendido):

Presione para encender/apagará el monitor.



(Rotar de manera horizontal la imagen):

Presione para girar la imagen de manera horizontal.



(Rotar de manera vertical la imagen):

Presione para girar la imagen de manera vertical.



(Selección del canal + / O selección de entrada de cámara):

Presione para seleccionar la configuración superior.



(Selección del canal - / O selección de entrada de cámara):

Presione para seleccionar la configuración inferior o mostrar la escala.



: Presione para disminuir el brillo.



: Presione para aumentar el brillo.



MENÚ:

Presione para mostrar el menú.



Modalidad (Modalidad de imagen):

Característica inactiva.



LLAMADA:

Escala de encendido / apagado (modo de visualización).



TEMPORIZADOR:

Característica inactiva.



IDIOMA (Selección de idiomas):

Presione para seleccionar la visualización de opciones de idiomas de inglés, alemán, francés, español, portugués, italiano, neerlandés, o ruso.



SYS:

Cambiar la resolución.

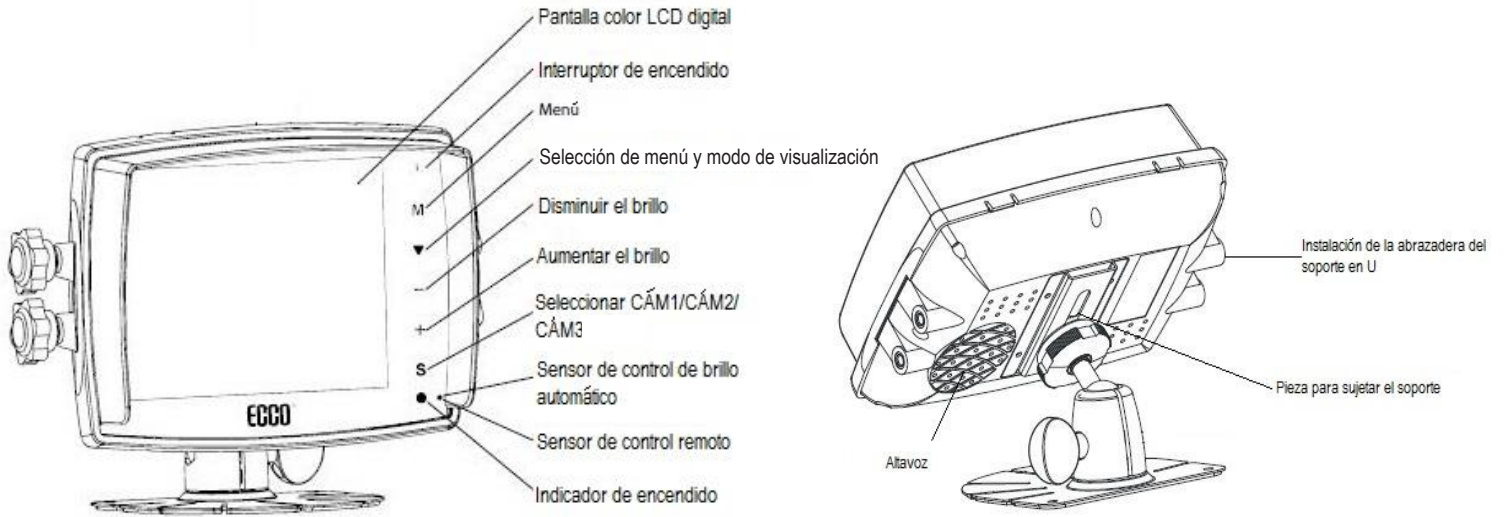


SEL:

Presione para seleccionar los canales de la cámara.

Identificación de las piezas:



EC5603-M




EC7003-M



Menú Operaciones

Presione el botón de Menú del control remoto  o el botón de Menú en la pantalla del monitor. 

Presione el botón de Menú varias veces para pasar de un menú al otro. Utilice subir/bajar de canal del control remoto o el botón hacia abajo  en la pantalla del monitor para resaltar un menú.

Para seleccionar el menú resaltado, utilice el botón de brillo derecho del control remoto o el botón + en la pantalla del monitor. Presione el botón menos brillo del control remoto o el botón - en la pantalla del monitor para volver al menú anterior.



Menú Principal	Menú	Opciones
Presione Menú 1 vez Imagen	Brillo	Ajustar brillo
	Contraste	Ajustar contraste
	Color	Ajustar color
	Volumen	Ajustar volumen
	Reiniciar	Restablecer todas las configuraciones del menú usando la flecha izquierda o derecha
Presione Menú 2 veces Opción	Versión del software	Ver la versión del software
	Cám 1	Normal/espejo
	Cám 2	Normal/espejo
	Cám 3	Normal/espejo
Presione Menú 3 veces Sistemas	Idioma	Inglés
		Deutsch
		Français
		Español
		Portugués
		Italiano
		Nederlands
		Русский
	Resolución	Auto
		NTSC
		PAL
		720P25
		720P30
	1080P25	
	1080P30	
Presione Menú 4 veces Buscador automático	Antecedentes	Azul/Negra
	Escala de gatillo trasero	Enc./Apag.
	Auto/oscuras	Enc./Apag.
	Día	Ajuste el brillo
	Noche	Ajuste el brillo
	Buscador automático	Enc./Apag.
	Tiempo de búsqueda	1-100 segundos
Presione Menú 5 veces Escala	Cám 1	Enc./Apag.
	Cám 2	Enc./Apag.
	Cám 3	Enc./Apag.
	Cám 1	Enc./Apag.
	Cám 2	Enc./Apag.
	Cám 3	Enc./Apag.
	Cám 1 - Escala	↑↓ ←→
	Cám 2 - Escala	↑↓ ←→
	Cám 3 - Escala	↑↓ ←→
Presione Menú 6 veces Salir del Menú		

Limitación de responsabilidad y garantía limitada del fabricante:

El fabricante garantiza que al momento de la compra, este producto cumple con las especificaciones del fabricante para el mismo (disponibles a pedido). El fabricante garantiza además que el presente producto está libre de defectos en sus materiales y en su fabricación. Esta garantía limitada se extiende durante doce (12) meses a partir de la fecha de la compra. Pueden aplicarse otras garantías. Para más información, comuníquese con el fabricante. El fabricante, a criterio propio, reparará o cambiará todo producto que determine como defectuoso y que esté sujeto a la presente garantía limitada.

EL DAÑO A LAS PIEZAS O PRODUCTOS QUE RESULTE DE LA MANIPULACIÓN INDEBIDA, ACCIDENTES, ABUSO, USO INDEBIDO, NEGLIGENCIA, MODIFICACIONES NO APROBADAS, INCENDIOS U OTROS PELIGROS, LA INSTALACIÓN O EL USO INCORRECTOS O LA FALTA DE MANTENIMIENTO CONFORME A LOS PROCEDIMIENTOS DE MANTENIMIENTO QUE SE ESTABLECEN EN LAS INSTRUCCIONES DE INSTALACIÓN Y USO DEL FABRICANTE, ANULA LA PRESENTE GARANTÍA LIMITADA.

LAS REPRESENTACIONES O DESCRIPCIONES ORALES DEL PRODUCTO QUE PUEDAN HABER SIDO REALIZADAS POR VENEDORES, DISTRIBUIDORES, AGENTES U OTROS REPRESENTANTES DEL FABRICANTE NO CONSTITUYEN GARANTÍAS. ESTA GARANTÍA LIMITADA NO PODRÁ ENMENDARSE, MODIFICARSE NI AMPLIARSE EXCEPTO MEDIANTE UN ACUERDO ESCRITO FIRMADO POR UN REPRESENTANTE AUTORIZADO DEL FABRICANTE QUE HAGA REFERENCIA EN FORMA EXPRESA A ELLA.

Exclusión de otras garantías: EL FABRICANTE NO OTORGA NINGUNA OTRA GARANTÍA, EXPRESA O IMPLÍCITA. MEDIANTE LA PRESENTE, SE EXCLUYEN LAS GARANTÍAS IMPLÍCITAS DE COMERCIABILIDAD O APTITUD PARA UN PROPÓSITO EN PARTICULAR, QUE NO SE APLICARÁN AL PRODUCTO. EL ÚNICO Y EXCLUSIVO REMEDIO DEL COMPRADOR CON RESPECTO AL CONTRATO, DERECHOS POR DAÑOS O CUALQUIER OTRA TEORÍA CONTRA EL FABRICANTE RELACIONADA CON EL PRODUCTO Y SU USO SERÁ LA REPARACIÓN O EL REEMPLAZO DEL PRODUCTO SEGÚN SE DESCRIBE ANTERIORMENTE.

Limitación de responsabilidad: EN EL CASO DE RESPONSABILIDAD POR DAÑOS QUE SURJAN DE LA PRESENTE GARANTÍA LIMITADA O POR CUALQUIER OTRO RECLAMO RELACIONADO CON LOS PRODUCTOS DEL FABRICANTE, CON LA RESPONSABILIDAD DEL FABRICANTE FRENTE A LOS DAÑOS, QUEDARÁ LIMITADA AL IMPORTE PAGADO POR EL PRODUCTO EN EL MOMENTO DE LA COMPRA ORIGINAL. EL FABRICANTE NO SERÁ RESPONSABLE, BAJO NINGÚN MOTIVO, POR EL LUCRO CESANTE, EL COSTO DE LA MANO DE OBRA NI DEL EQUIPO DE SUSTITUCIÓN, DAÑOS A LA PROPIEDAD NI POR OTROS DAÑOS ESPECIALES, RESULTANTES O INDIRECTOS EN FUNCIÓN DE RECLAMOS POR INCUMPLIMIENTO CONTRACTUAL, INSTALACIÓN INAPROPIADA, NEGLIGENCIA U OTROS, INCLUSO SI EL FABRICANTE O UNO DE SUS REPRESENTANTES HUBIESE ANTICIPADO LA POSIBILIDAD DE DICHOS DAÑOS. EL FABRICANTE NO TENDRÁ NINGUNA OTRA OBLIGACIÓN O RESPONSABILIDAD RESPECTO DEL PRODUCTO O SU VENTA, OPERACIÓN Y USO NI SUPONE O AUTORIZA QUE SE SUPONGA TODA OTRA OBLIGACIÓN O RESPONSABILIDAD RELACIONADAS CON DICHO PRODUCTO.

Esta garantía limitada define los derechos legales específicos. Es posible que tenga otros derechos legales que varían de estado a estado. Algunos estados no permiten la exclusión o limitación de daños resultantes o indirectos.



833 West Diamond St, Boise, Idaho 83705
Servicio Al Cliente EE.UU. 800-635-5900
Reino Unido +44 (0)113 237 5340 | AUS +61 (0)3 63322444
ECCOESG.com

An ECCO SAFETY GROUP™ Brand
ECCOSAFETYGROUP.com



IMPORTANT! Lisez toutes les instructions avant d'installer et d'utiliser le produit. Installateur : ce manuel doit être remis à l'utilisateur final.



AVERTISSEMENT!

Lisez toutes les instructions avant d'installer et d'utiliser le produit. Installateur : ce manuel doit être remis à l'utilisateur final.



N'installez pas et/ou n'utilisez pas ce produit de sécurité avant d'avoir lu et compris les consignes de sécurité fournies.

1. Pour garantir votre sécurité et celle des autres, il est essentiel que le produit soit correctement installé et que l'opérateur soit formé à l'utilisation, l'entretien et la maintenance des dispositifs d'avertissement d'urgence.
2. Manipulez les connexions électriques sous tension avec prudence.
3. Ce produit doit être correctement mis à la masse. Une mise à la masse inadéquate ou un court-circuit des connexions électriques peut provoquer l'apparition d'un arc électrique haute tension, susceptible de causer des blessures corporelles ou des dommages graves sur le véhicule, ainsi qu'un incendie.
4. Une installation et un positionnement corrects sont essentiels au bon fonctionnement de ce dispositif d'avertissement. Installez ce produit de manière à optimiser les performances de sortie du système et de sorte que les commandes soient à portée de main de l'opérateur, afin qu'il puisse utiliser le système sans perdre le contact visuel avec la chaussée.
5. N'installez pas ce produit dans la zone de déploiement d'un airbag ; n'acheminez pas non plus de câbles dans cette zone. Tout équipement monté ou situé dans la zone de déploiement d'un airbag est susceptible de réduire l'efficacité de cet airbag ou de devenir un projectile pouvant causer des blessures graves, voire mortelles. Reportez-vous au manuel d'utilisation du véhicule pour en savoir davantage sur la zone de déploiement de l'airbag. Il incombe à l'utilisateur/à l'opérateur de définir un emplacement de montage approprié assurant la sécurité de tous les passagers à l'intérieur du véhicule, en évitant en particulier les zones d'impact potentiel de la tête.
6. Il incombe à l'opérateur du véhicule de s'assurer que toutes les fonctionnalités de ce produit fonctionnent correctement au cours de l'utilisation. Lorsque le produit est en cours d'utilisation, l'opérateur du véhicule doit s'assurer que le signal d'avertissement n'est pas inhibé par des composants du véhicule (comme un coffre ou des portes de compartiment ouverts), des personnes, des véhicules ou d'autres éléments.
7. L'utilisation de ce dispositif d'avertissement ou de tout autre dispositif similaire ne garantit pas que tous les conducteurs observeront un signal d'avertissement ou réagiront à ce signal. Ne prenez jamais la priorité pour acquise. Il est de votre responsabilité de vous assurer que vous pouvez vous déplacer en toute sécurité avant de vous engager dans une intersection, de conduire en sens inverse de la circulation, de réagir à une vitesse élevée et de marcher sur ou autour des voies de circulation.
8. Cet équipement est destiné uniquement au personnel autorisé. Il incombe à l'utilisateur de comprendre et de respecter toutes les lois relatives aux dispositifs de signalisation d'avertissement. Par conséquent, l'utilisateur doit s'informer sur toutes les lois et réglementations en vigueur dans la ville, la région et le pays où il se trouve. Le fabricant décline toute responsabilité en cas de perte découlant de l'utilisation de ce dispositif d'avertissement.

Caractéristiques techniques

Caméra	EC2014-C
Image	0,33 po. CMOS Couleur Pixels effectifs : 725 x 488
Tension nécessaire	12 V
Consommation d'électricité	3 W
Lentille	F=2,8 mm/F=2,0
Angle de l'objectif	120°
Audio	Oui
Capteur de lumière	Basculement auto noir et blanc
DEL infrarouges	11 (visibilité de 10 M max.)
Raccord en tire-bouchon : CAM	Mâle 4 broches fileté
Boîtier	Alliage d'aluminium
Vibrations méc.	10 g
Montage	Arrière/Avant
Poids	0,74 lb.
Dimensions (l x H x P)	2,87 po. x 2,99 po. x 2,60 po.
Temp. de fonctionnement	-22 °F à 158 °F
Classification IP	IP69K
Homologations	FCC, CE, C-Tick, E13/R10
Appel de courant	0.25A

Écrans	Écran ACL EC5603-M de 5,6 po.	Écran ACL EC7003-M de 7 po.
Image	Couleur ACL de 5,6 po., 4:3	Couleur ACL de 7 po., 16:9
Contrôleur	Interne/3 caméras	Interne/3 caméras
Tension	12/24 VCC	12/24 VCC
Consommation d'électricité	5 W	4 W
Effet de miroir	Oui (via interrupteur moniteur et caméra)	Oui (via interrupteur moniteur et caméra)
Fonctionnalité d'écran fractionné	N°	N°
Compatible AV	N°	N°
Compatible DVR	N°	N°
Audio	Oui	Oui
Contraste/luminosité	Oui	Oui
Capteur de lumière	Atténuation auto jour/nuit	Atténuation auto jour/nuit
Sélection caméra	Câbles de déclenchement et Moniteur	Câbles de déclenchement et Moniteur
Connexion : CAM	Femelle 4 broches, fileté	Femelle 4 broches, fileté
Connexion (moniteur : tire-bouchon)	Mâle 13 broches	Mâle 13 broches
Connexion : CB	S/O	S/O
Boîtier	Plastique	Plastique
Montage	Permanent - HD (2 options de supports fournies)	Permanent - HD (2 options de supports fournies)
Vibrations méc.	Support sur socle - 3 g Support en berceau - 8 g	Support sur socle - 3 g Support en berceau - 8 g
Poids	2,67 lb.	3,34 lb.
Dimensions (l x H x P)	6,32 po. x 4,52 po. x 1,07 po.	7,28 po. x 5,07 po. x 1,06 po.
Temp. de fonctionnement	-4°-22 °F à 158 °F	-4°-22 °F à 158 °F
Télécommande	Oui	Oui
Appel de courant	0.4A	0.3A
Homologations	FCC, CE, C-Tick, E13/R10	FCC, CE, C-Tick, E13/R10

Installation, câblage et fonctions



ATTENTION!

Lorsque vous percez un trou dans une surface de véhicule, assurez-vous que cette zone est exempte de fils électriques, de canalisations d'essence, de garniture souple, etc. qui pourraient être endommagés.

Remarques:

1. Des câbles plus gros et des connexions bien serrées fourniront une plus longue durée de vie des composants. Pour les câbles à haut courant il est recommandé que les borniers ou les connexions soudées soient utilisés avec des tuyaux thermorétractables pour protéger les connexions. N'utilisez pas de connecteurs autodénuants (p. ex., connecteurs 3M type Scotchlock)
2. Acheminer le câble à l'aide d'œillets et de joints d'étanchéité lors du passage à travers les parois du compartiment. Réduisez le nombre d'épissures pour réduire la chute de tension. Des températures ambiantes élevées (p. ex., sous-capot) réduiront considérablement la capacité de transport du courant des câbles, fusibles et disjoncteurs. Tout le câblage doit être conforme à la taille minimale et d'autres recommandations du fabricant et être protégé des pièces en mouvement et des surfaces chaudes. Les faisceaux, œillets, attaches de câble, et le matériel d'installation similaire devraient être utilisés pour fixer et protéger tout le câblage.
3. Les fusibles ou disjoncteurs devraient être situés le plus près possible des points de force et être d'une taille adéquate pour protéger le câblage et les appareils.
4. Une attention particulière devrait être accordée à l'emplacement et le mode de connexions électriques et les épissures pour protéger ces points contre la corrosion et la perte de conductivité.
5. La résiliation au sol ne doit être faite qu'à des composants du châssis, de préférence directement à la batterie du véhicule.
6. Les disjoncteurs sont très sensibles aux températures élevées et le déclenchement involontaire lors du montage dans des environnements chauds ou l'exploitation à la limite de leur capacité.

Installation

Modèle de caméra EC2014-C

Important! Installez la caméra à l'endroit offrant le meilleur champ de vision possible sur la zone située immédiatement à l'arrière du véhicule. En général, ce sont les emplacements de montage situés vers le haut du véhicule qui fournissent le meilleur champ de vision possible. Les emplacements de montage situés plus bas réduisent le champ de vision et augmentent les risques d'endommagements liés aux éclaboussures.

1. Trouvez un emplacement adapté à l'installation.
2. Percez des trous en fonction des dimensions du support en U, puis fixez le support en U.
3. Percez un trou de 0,75 po. (19 mm) près du support en U.
4. Installez la caméra et le pare-soleil sur le support en U.
5. Branchez l'arrière de la caméra avec le câble de rallonge depuis l'intérieur du véhicule.
6. Desserrez les vis à tête hexagonale et ajustez la position de la caméra pour obtenir le meilleur angle de vision possible sur le moniteur.

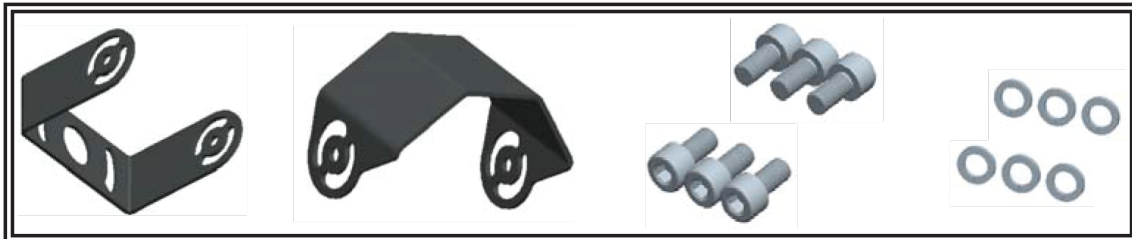


Figure 1

Câblage

Important! Imperméabilisez tous les raccords, qu'ils se trouvent à l'intérieur ou à l'extérieur du véhicule, en y appliquant un scellant et en les enveloppant dans du ruban isolant. Enroulez fermement le ruban en faisant des chevauchements par demi-largeur pour qu'il n'y ait aucun espace.

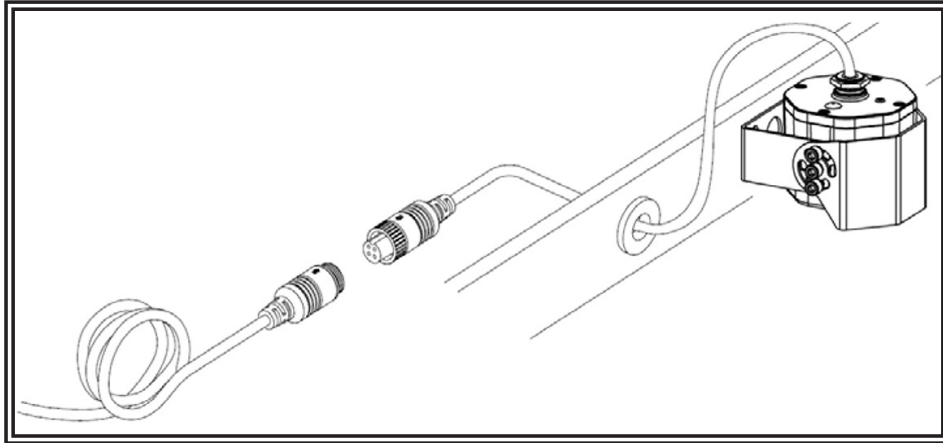
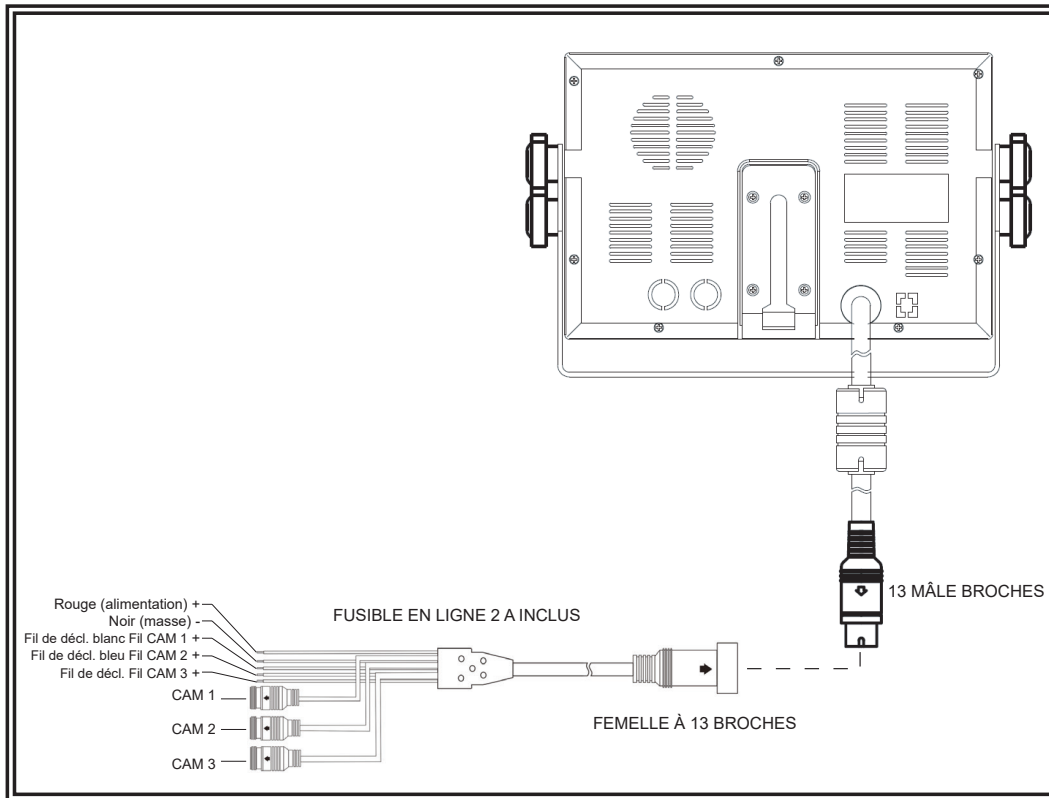


Figura 2



CÂBLAGE DÉFINI

Écrans

Modèles EC5603-M et EC7003-M



¡AVERTISSEMENT!

Pour éviter les chocs accidentels, N'OUVREZ PAS LE BOÎTIER DU MONITEUR. Sinon, l'intérieur du moniteur sera exposé à des conditions pouvant nuire à son bon fonctionnement. Tout élément prouvant que les composants scellés ont été négligés annulera la garantie.

Important! Ne mettez pas le moniteur en contact avec de l'eau car il n'est pas étanche. Si de l'eau s'infiltrait dans le moniteur, l'unité pourrait être sérieusement endommagée.

Installation : EC5603-M/EC7003-M

Instructions d'installation relatives à l'utilisation de la patte de support en U

1. Choisissez un emplacement adapté sur le véhicule et fixez la patte de support en U à l'aide des vis (Figure 3)
2. Fixez le moniteur sur la patte de support en U à l'aide des vis d'ajustement d'angle et ajustez l'angle de vue du moniteur
3. Installez le pare-soleil et connectez le moniteur à l'aide du câble AV et du câble de conversion d'alimentation (Figure 4)

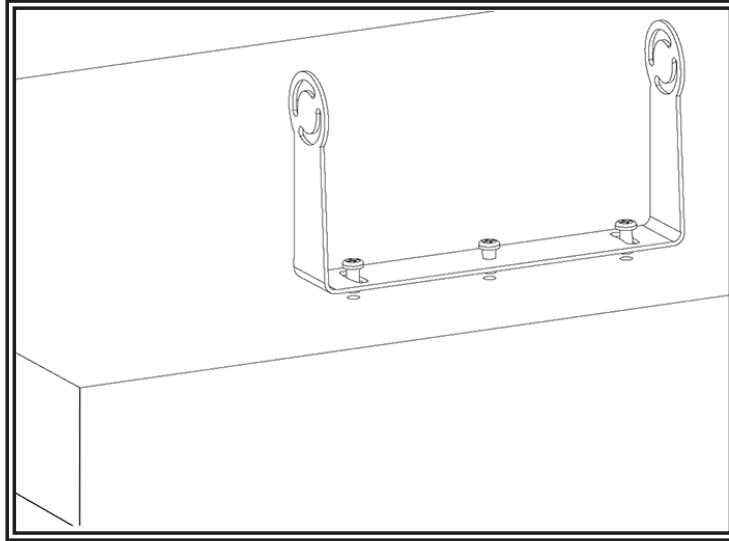


Figure 3

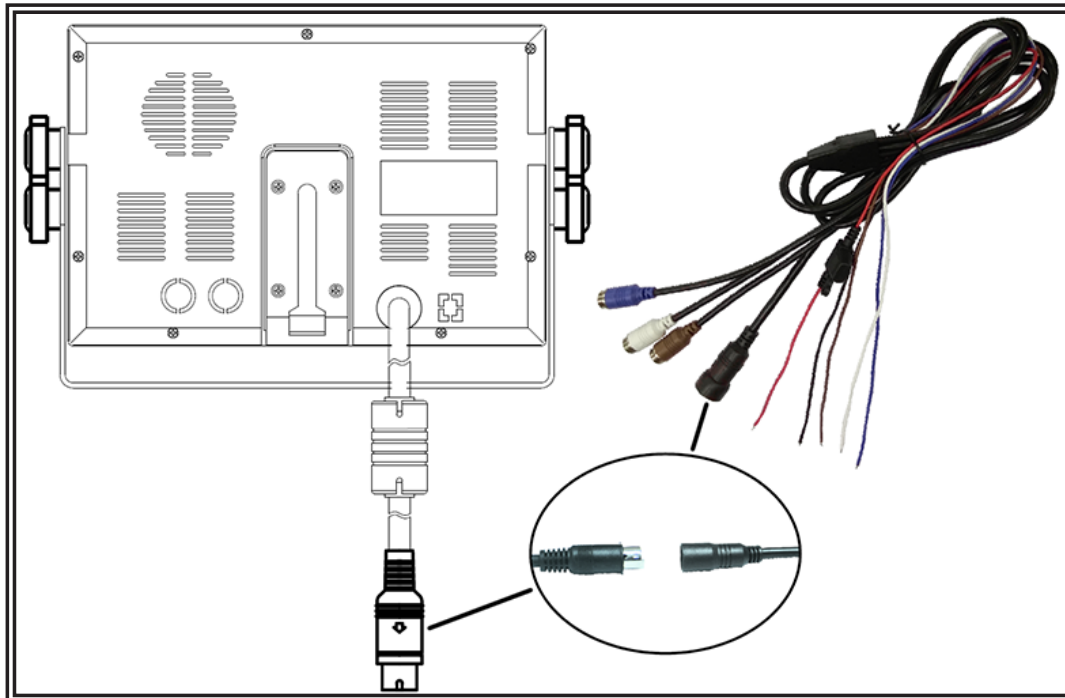


Figure 4

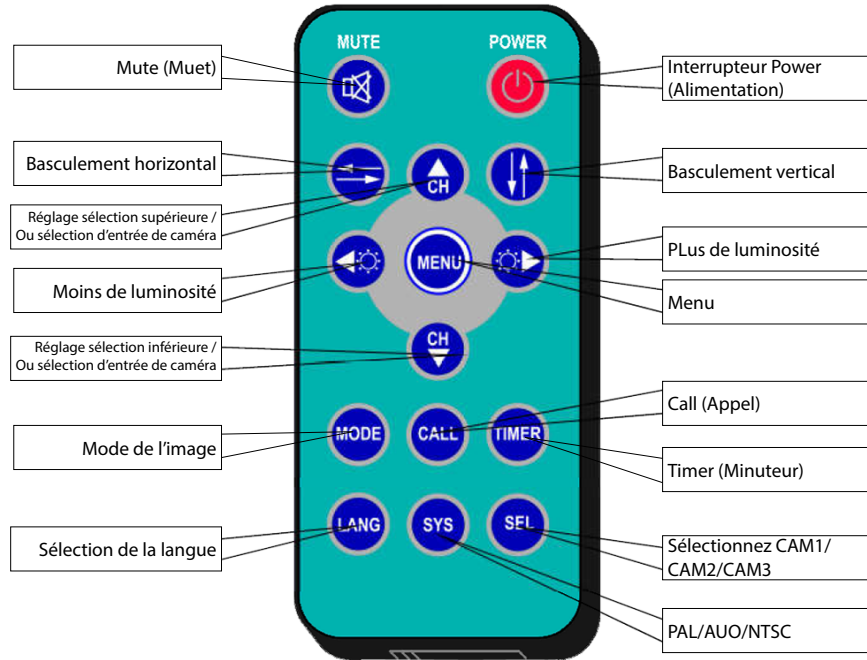
Instructions d'installation relatives à l'utilisation du socle

1. Choisissez l'emplacement adapté sur le véhicule et fixez le socle. (Figure 6)
2. Fixez le moniteur sur le socle et ajustez l'angle de vue.
3. Installez le pare-soleil et connectez le moniteur à l'aide du câble AV et du câble de conversion d'alimentation (Figure 5)



Figure 5

Funcionamiento del control remoto:



Importante!

1. Mettez la télécommande dans l'alignement de la fenêtre de réception infrarouge du moniteur pour le faire fonctionner.
2. La télécommande ne doit jamais être démontée, ni tomber ou être mouillée.
3. Appuyez fermement sur le bouton de contrôle. Attendez 2 secondes que l'image change.



MUTE (MUET): Appuyez sur ce bouton pour sélectionner le mode ENABLE/MUT ACTIVER/COUPER le son).



POWER (Interrupteur d'alimentation): Appuyez sur ce bouton pour activer/désactiver le moniteur.



(Rotation horizontale de l'image): Appuyez sur ce bouton pour faire tourner l'image sur un plan horizontal.



(Rotation verticale de l'image): Appuyez sur ce bouton pour faire tourner l'image sur un plan vertical.



(Sélection de canal + / Ou sélection d'entrée de caméra): Appuyez sur ce bouton pour sélectionner le réglage supérieur.



(Sélection de canal - / Ou sélection d'entrée de caméra): Appuyez sur ce bouton pour sélectionner le réglage inférieur ou afficher l'échelle.



: Appuyez sur ce bouton pour réduire la luminosité.



: Appuyez sur ce bouton pour augmenter la luminosité.



MENU: Appuyez ici pour afficher le menu.



Mode (Mode d'image): Fonction inactive.



CALL (APPEL): ÉCHELLE Activé/désactivé (MODE D'AFFICHAGE).



TIMER (MINUTEUR): Fonction inactive.



LANG (sélection de la langue): Appuyez sur ce bouton pour sélectionner l'affichage des options English, Deutsch, Français, Español, Portuguais, Italiano, Nederlands, ou Русский.



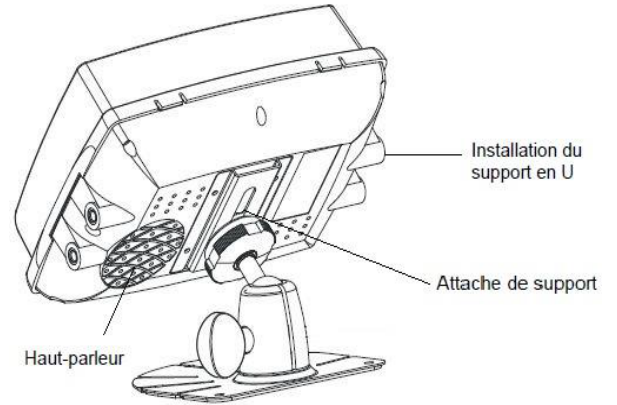
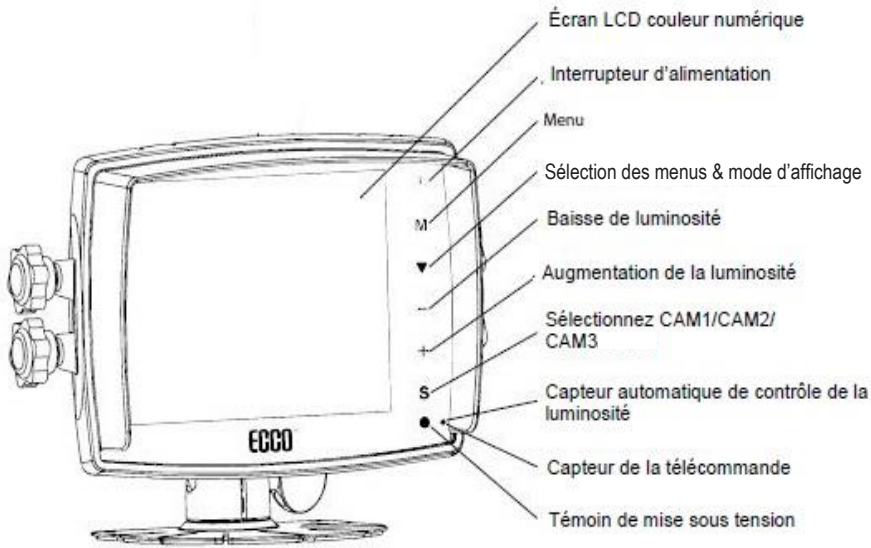
SYS: Changer la résolution.



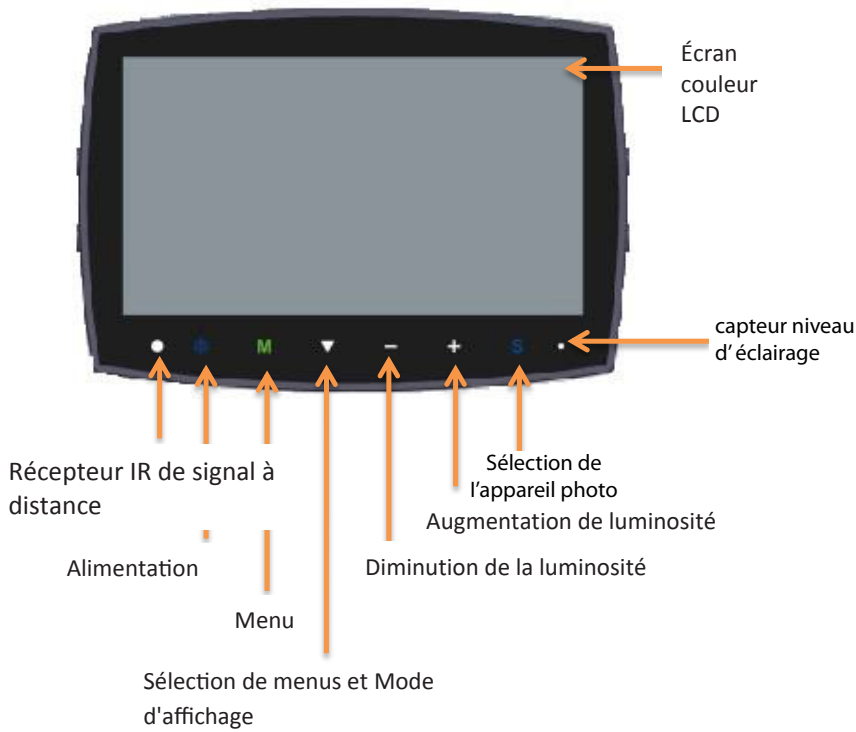
SEL: Appuyez sur ce bouton pour sélectionner les canaux de la CAM.

Identificación des piezas:

EC5603-M




EC7003-M



Menu Opérations

Appuyez sur le bouton Menu de la télécommande  ou sur le bouton Menu de l'écran du moniteur. 

Appuyez plusieurs fois sur le bouton Menu pour passer d'un menu à un autre. Utilisez les touches haut/bas correspondant au canal de la télécommande ou la touche bas  de l'écran du moniteur pour sélectionner un menu.

Pour choisir le menu sélectionné, utilisez le bouton droit de luminosité de la télécommande ou le bouton + de l'écran du moniteur. Appuyez sur le bouton - correspondant à la luminosité de la télécommande ou le bouton - de l'écran du moniteur pour revenir au menu précédent.



Menu Principal	Menu	Options	
Appuyez 1 fois sur Menu	Image	Luminosité	Régler la luminosité
		Contraste	Régler le contraste
		Couleur	Régler la couleur
		Volume	Régler le volume
		Réinitialiser	Réinitialiser tous les paramètres du menu à l'aide de la flèche gauche ou droite
		Une version de logiciel	Voir la version de logiciel
Appuyez 2 fois sur Menu	Option	Cam 1	Normal/miroir
		Cam 2	Normal/miroir
		Cam 3	Normal/miroir
Appuyez 3 fois sur Menu	Systèmes	Langue	Anglais
			Deutsch
			Français
			Español
			Português
			Italiano
			Nederlands
			Русский
		Résolution	Automatique
			NTSC
			PAL
			720P25
			720P30
			1080P25
			1080P30
	Contexte	Bleu/Noir	
	Arrière-gâchette-échelle	Activé/désactivé	
	Automatiquement faible	Activé/désactivé	
	Journée	Aajuster la luminosité	
	Nuit	Aajuster la luminosité	
Appuyez 4 fois sur Menu	Balayage automatique	Balayage automatique	Activé/désactivé
		Durée du balayage	1 à 100 secondes
		Cam 1	Activé/désactivé
		Cam 2	Activé/désactivé
		Cam 3	Activé/désactivé
Appuyez 5 fois sur Menu	Échelle	Cam 1	Activé/désactivé
		Cam 2	Activé/désactivé
		Cam 3	Activé/désactivé
		Cam 1 - Échelle	↑↓ ←→
		Cam 2 - Échelle	↑↓ ←→
		Cam 3 - Échelle	↑↓ ←→
Appuyez 6 fois sur Menu	Quitter le menu		

Garantie limitée et limitation de responsabilité du fabricant :

Le fabricant garantit qu'à la date d'achat ce produit sera conforme aux caractéristiques techniques définies par ses soins (disponibles sur demande) et qu'il est exempt de vices de fabrication et de main-d'œuvre. La présente garantie limitée est valable douze (12) mois à compter de la date d'achat. D'autres garanties peuvent s'appliquer. Pour plus d'informations, contactez le fabricant. Le fabricant réparera ou remplacera, à son entière discrétion, tout produit qu'il jugera défectueux, sous réserve de la présente garantie limitée.

LA PRÉSENTE GARANTIE LIMITÉE EST NULLE ET NON AVENUE EN CAS D'ENDOMMAGEMENT DE PIÈCES OU DE PRODUITS RÉSULTANT D'UNE ALTÉRATION, D'UN ACCIDENT, D'UN ABUS, D'UNE MAUVAISE UTILISATION, D'UNE NÉGLIGENCE, DE MODIFICATIONS NON AUTORISÉES, D'UN INCENDIE OU D'UN AUTRE DANGER; D'UNE MAUVAISE INSTALLATION OU D'UN FONCTIONNEMENT INCORRECT; OU ENCORE D'UN ENTRETIEN NON CONFORME AUX PROCÉDURES D'ENTRETIEN DÉFINIES DANS LES INSTRUCTIONS D'INSTALLATION ET D'UTILISATION DU FABRICANT.

LES DÉCLARATIONS OU OBSERVATIONS ORALES AU SUJET DU PRODUIT QUI POURRAIENT AVOIR ÉTÉ FAITES PAR DES VENDEURS, DES REVENDEURS, DES AGENTS OU D'AUTRES REPRÉSENTANTS DU FABRICANT NE CONSTITUENT PAS DES GARANTIES. LA PRÉSENTE GARANTIE LIMITÉE NE PEUT ÊTRE MODIFIÉE ET SON CHAMP D'APPLICATION NE PEUT ÊTRE ÉLARGI EXCEPTÉ EN VERTU D'UN ACCORD ÉCRIT SIGNÉ PAR UN REPRÉSENTANT AUTORISÉ DU FABRICANT QUI FAIT EXPRESSÉMENT RÉFÉRENCE À LA PRÉSENTE GARANTIE.

Exclusion d'autres garanties : LE FABRICANT N'ACCORDE AUCUNE AUTRE GARANTIE, EXPRESSE OU TACITE. LES GARANTIES IMPLICITES DE QUALITÉ MARCHANDE OU D'APTITUDE À UN USAGE PARTICULIER SONT EXCLUES ET NE S'APPLIQUERONT PAS AU PRODUIT. LE SEUL ET UNIQUE RECOURS DE L'ACHETEUR CONTRE LE FABRICANT CONCERNANT LE PRODUIT ET SON UTILISATION, QUEL QUE SOIT LE FONDEMENT DE RESPONSABILITÉ INVOQUÉ (RESPONSABILITÉ CONTRACTUELLE, DÉLICTEUELLE OU AUTRE), SERA LE REMPLACEMENT OU LA RÉPARATION DU PRODUIT COMME INDIQUÉ CI-DESSUS.

Limitation de responsabilité : EN CAS DE RESPONSABILITÉ POUR DES DOMMAGES DÉCOULANT DE LA PRÉSENTE GARANTIE LIMITÉE OU TOUTE AUTRE RÉCLAMATION RELATIVE AUX PRODUITS DU FABRICANT, LA RESPONSABILITÉ DU FABRICANT SE LIMITERA AU MONTANT PAYÉ POUR LE PRODUIT LORS DE L'ACHAT INITIAL. LE FABRICANT NE SERA EN AUCUN CAS RESPONSABLE DU MANQUE À GAGNER, DU COÛT DE L'ÉQUIPEMENT DE SUBSTITUTION OU DE LA MAIN-D'ŒUVRE, DES DOMMAGES MATÉRIELS OU D'AUTRES DOMMAGES PARTICULIERS, INDIRECTS OU ACCESSOIRES FONDÉS SUR UNE RÉCLAMATION POUR RUPTURE DE CONTRAT, MAUVAISE INSTALLATION, NÉGLIGENCE OU TOUTE AUTRE RÉCLAMATION, MÊME SI LE FABRICANT OU L'UN DE SES REPRÉSENTANTS A ÉTÉ INFORMÉ DE L'ÉVENTUALITÉ DE TELS DOMMAGES. LE FABRICANT NE S'ACQUITTE D'AUCUNE AUTRE OBLIGATION OU RESPONSABILITÉ QUANT AU PRODUIT OU SA VENTE, SON FONCTIONNEMENT ET SON UTILISATION, ET N'ADMET NI N'AUTORISE L'HYPOTHÈSE DE TOUTE AUTRE OBLIGATION OU RESPONSABILITÉ EN RELATION AVEC CE PRODUIT.

La présente garantie limitée vous accorde des droits juridiques spécifiques. Vous pouvez également jouir d'autres droits, lesquels peuvent varier d'un état à l'autre. Certains États n'autorisent pas l'exclusion ou la limitation de dommages indirects ou accessoires.



833 West Diamond St, Boise, Idaho 83705

Le Service Client États-Unis 800-635-5900

Royaume-Uni +44 (0)113 237 5340 | AUS +61 (0)3 63322444

ECCOESG.com

An ECCO SAFETY GROUP™ Brand

ECCOSAFETYGROUP.com