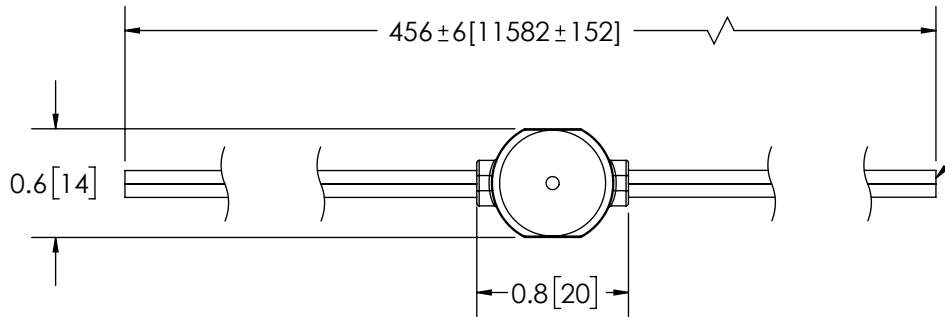


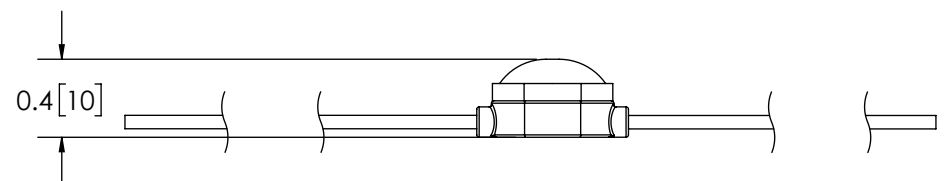
REVISION HISTORY		
REV.	DESCRIPTION	DATE
04	REVISED PER EL0064	2017-08-14
A	INITIAL RELEASE PER EL0064	2017-08-15
B	REVISE PER EL0064	2017-11-20



2-18 AWG WIRES
 RED/WHITE (+) POSITIVE
 WHITE (-) NEGATIVE


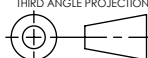
SPECIFICATIONS

- CERTIFICATIONS: **CE**;
 Note: Unique components, accessories, and hardware kits are not typically included in the Product Certification Test Protocols. Unless otherwise Specified, the Product Certifications referred to herein are predicated upon the base product model configuration.
- RAW LUMENS: 62 lumens
- EFFECTIVE LUMENS: 60 lumens
- ILLUMINANCE: .0038 lux
- PEAK BEAM INTENSITY: 3.655 Candela
- EFFICACY: 75.5 lm/W
- CORRELATED COLOR TEMPERATURE: K
- VOLTAGE (NOMINAL): 12 VDC
- VOLTAGE (EXTREME): 9-16 VDC
- CURRENT (PEAK): 0.04A (@ 12 VDC NOMINAL)
- POWER (MAXIMUM): 0.6W (@ 12 VDC NOMINAL)
- TEMPERATURE RANGE: -22°F (-30°C) TO 122°F (50°C)
- CONNECTION: 2 LEAD WIRES
- MOUNTING: ADHESIVE
- HOUSING MATERIAL: ABS
- LENS MATERIAL: POLYCARBONATE
- PRODUCT WEIGHT: 0.9 LBS (0.41 Kg)



DISCLAIMER
 DIMENSIONS, ILLUSTRATIONS, SPECIFICATIONS AND CERTIFICATIONS CONTAINED IN THIS DOCUMENT ARE TYPICAL OF THE ACTUAL PRODUCT AND ARE SUBJECT TO CHANGE. ECCO ENGINEERING DOES NOT MAINTAIN FORMAL DESIGN CONTROL OF THIS PRODUCT.

- NOTES:**
- ROHS COMPLIANT
 - FOR INTERIOR USE ONLY
 - DIMENSIONS IN INCHES [MILLIMETERS (FOR REFERENCE)]

SCALE 1:1		APPROVALS	DATE	 ECCO [®] www.eccolink.com Americas (800) 635-5900 Europe +44 (0)113 237 5340 Asia Pacific +61 (0)3 63322444
CAD GENERATED DRAWING DO NOT MANUALLY UPDATE. MODEL REFERENCED: A		DRAWN BY	2017-11-17	
TOLERANCES ARE IN INCHES, AND MILLIMETERS TOLERANCES UNLESS OTHERWISE STATED ARE:		CHECKED	ABB	2017-11-20
MILLIMETERS DECIMALS	INCHES DECIMALS	ANGLES		MECH. ENG.
XX. ± 1.0mm	X.X ± 0.1	± 0.5°		ELEC. ENG.
XX.X ± 0.5mm	X.XX ± 0.04	FRACTIONS		TEST ENG.
	X.XXX ± 0.02	± 1/64		SALES.
THIRD ANGLE PROJECTION		CUSTOMER PART NO.		PRODUCT SERIES:
		EW0131		
NON DISCLOSURE AGREEMENT		SIZE:	A	DWG. NO.
THIS DRAWING AND THE DESIGN IT DISCLOSES ARE THE PRIVATE PROPERTY OF ELECTRONIC CONTROLS CO. AND IS ISSUED IN CONFIDENCE FOR ENGINEERING INFORMATION ONLY. THE DRAWING AND / OR DESIGN MAY NOT BE USED, COPIED, REPRODUCED, OR OTHERWISE DISCLOSED IN PART OR AS A WHOLE TO OUTSIDERS OR USED FOR ANY OTHER PURPOSE WITHOUT THE PRIOR WRITTEN CONSENT OF ELECTRONIC CONTROLS CO. THE DRAWING IS SUBJECT TO RECALL AT ANY TIME. YOUR POSSESSION OF THIS DOCUMENT CONSTITUTES ACCEPTANCE OF THESE TERMS. © 2017 ELECTRONIC CONTROLS CO.		Electronically Controlled Use Latest Copy		EW0131
		SHEET 1 OF 1	Project: EL0064	Date Created: 2017-02-08
				REV. B