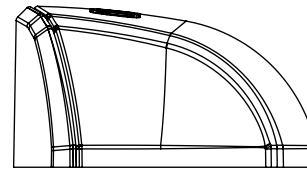
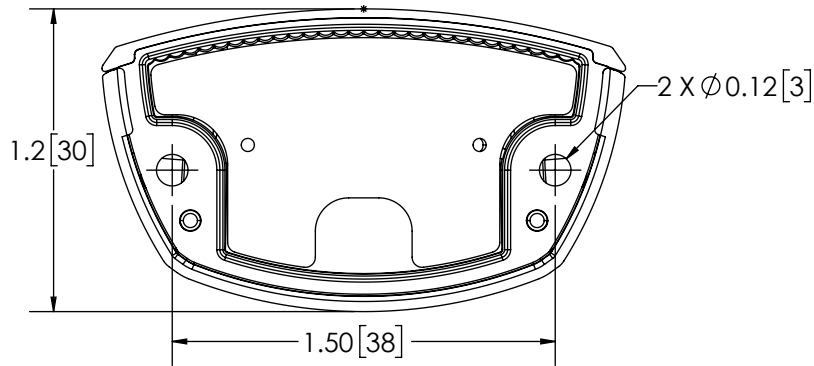


**FRONT VIEW**



**RIGHT VIEW**



**BOTTOM VIEW**

MOUNTING DISCLAIMER:  
MOUNTING MEASUREMENT IS FOR REFERENCE ONLY.  
MEASURE BEFORE DRILLING.

- NOTES:
- WIRES:  
DIMENSION IS  $7.5 \pm 0.5$  [191 ± 13] FROM BASE OF LAMP TO END OF WIRES  
2-22 AWG WIRES: RED - POSITIVE (+)  
WHITE - NEGATIVE (-)  
WIRES NOT SHOWN FOR CLARITY
  - FOR INTERIOR USE ONLY
  - DIMENSIONS IN INCHES [MILLIMETERS (FOR REFERENCE)]

REVISION HISTORY		
REV.	DESCRIPTION	DATE
04	REVISED PER EL0064	2017-08-17
A	INITIAL RELEASE PER EL0064	2017-08-22
B	REVISE PER EL0064	2017-11-09

## SPECIFICATIONS

- CERTIFICATIONS: ECE R10; IP67 PENDING  
Note: Unique components, accessories, and hardware kits are not typically included in the Product Certification Test Protocols. Unless otherwise Specified, the Product Certifications referred to herein are predicated upon the base product model configuration.
- RAW LUMENS: 66 lumens
- EFFECTIVE LUMENS: 65 lumens
- ILLUMINANCE: .0187 lux
- PEAK BEAM INTENSITY: 17.32 Candela
- EFFICACY: 6.5 lm/W
- CORRELATED COLOR TEMPERATURE: K
- VOLTAGE (NOMINAL): 12 to 24 VDC
- VOLTAGE (EXTREME): 9.0 to 32.0 VDC
- CURRENT (PEAK): 0.08A (@ 12 VDC NOMINAL)
- POWER (MAXIMUM): 1.0W (@ 12 VDC NOMINAL)
- TEMPERATURE RANGE: -22°F (-30°C) TO 122°F (50°C)
- CONNECTION: 2 LEAD WIRES
- MOUNTING: 2 BOLT
- HOUSING MATERIAL: POLYCARBONATE
- LENS MATERIAL: POLYCARBONATE
- PRODUCT WEIGHT: .04 LBS (0.02 Kg)

## DISCLAIMER

DIMENSIONS, ILLUSTRATIONS, SPECIFICATIONS AND CERTIFICATIONS CONTAINED IN THIS DOCUMENT ARE TYPICAL OF THE ACTUAL PRODUCT AND ARE SUBJECT TO CHANGE. ECCO ENGINEERING DOES NOT MAINTAIN FORMAL DESIGN CONTROL OF THIS PRODUCT.

SCALE 1:0.75		APPROVALS	DATE
CAD GENERATED DRAWING DO NOT MANUALLY UPDATE. MODEL REFERENCED: A		DRAWN BY	2017-11-08
		CHECKED MDH	2017-11-09
TOLERANCES ARE IN INCHES, AND MILLIMETERS TOLERANCES UNLESS OTHERWISE STATED ARE:		MECH. ENG.	
MILLIMETERS DECIMALS	INCHES DECIMALS	ANGLES	
XX. ± 1.0mm XX.X ± 0.5mm	X.X ± 0.1 X.XX ± 0.04 X.XXX ± 0.02	± 0.5°	
		FRACTIONS	
		± 1/64	
THIRD ANGLE PROJECTION		ELEC. ENG.	
		TEST ENG.	
		SALES	
NON DISCLOSURE AGREEMENT		<b>ECCO</b> ® www.eccolink.com Americas (800) 635-5900   Europe +44 (0)113 237 5340   Asia Pacific +61 (0)3 63322444	
		<b>COURTESY LAMP, 12V-24V, BLACK</b>	
		CUSTOMER PART NO. <b>EW0202</b>	PRODUCT SERIES:
		SIZE: A	DWG. NO. <b>EW0202</b>
		REV. <b>B</b>	
		Electronically Controlled Use Latest Copy	Project: EL0064 Date Created: 2017-02-10

THIS DRAWING AND THE DESIGN IT DISCLOSES ARE THE PRIVATE PROPERTY OF ELECTRONIC CONTROLS CO. AND IS ISSUED IN CONFIDENCE FOR ENGINEERING INFORMATION ONLY. THE DRAWING AND / OR DESIGN MAY NOT BE USED, COPIED, REPRODUCED, OR OTHERWISE DISCLOSED IN PART OR AS A WHOLE TO OUTSIDERS OR USED FOR ANY OTHER PURPOSE WITHOUT THE PRIOR WRITTEN CONSENT OF ELECTRONIC CONTROLS CO. THE DRAWING IS SUBJECT TO RECALL AT ANY TIME. YOUR POSSESSION OF THIS DOCUMENT CONSTITUTES ACCEPTANCE OF THESE TERMS. © 2017 ELECTRONIC CONTROLS CO.