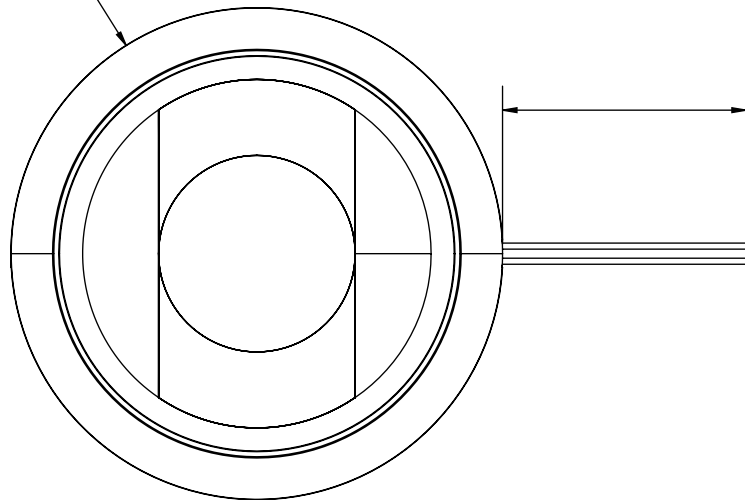


Ø 5.1 [130]

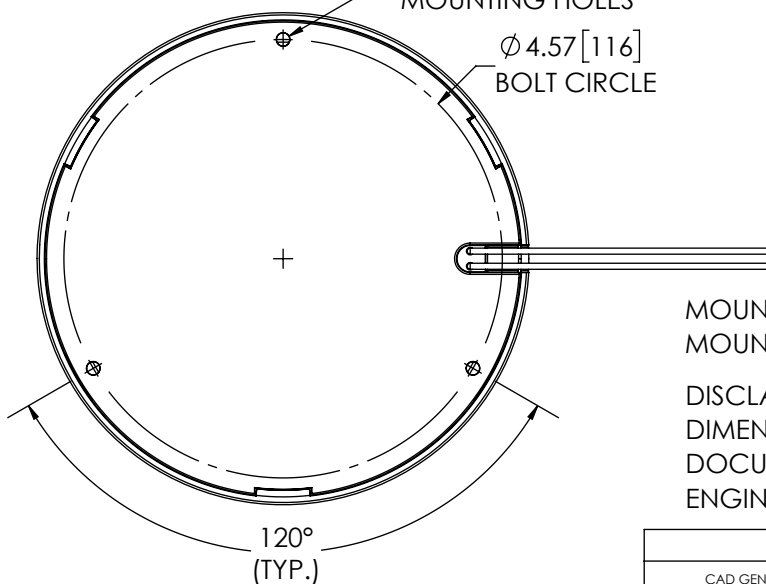


7.50 ± 0.50 [191 ± 13]



3X Ø 0.14 [4]
MOUNTING HOLES

Ø 4.57 [116]
BOLT CIRCLE



120°
(TYP.)

- NOTES:
- FOR INTERIOR USE ONLY
 - ROHS COMPLIANT
 - DIMENSIONS IN INCHES [MILLIMETERS (FOR REFERENCE)]

REVISION HISTORY		
REV.	DESCRIPTION	DATE
02	REVISED PER EL0064	2017-02-24
03	REVISED PER EL0064	2017-07-07
A	INITIAL RELEASE PER EL0064	2017-08-08

SPECIFICATIONS

- CERTIFICATIONS: ECE R10;
Note: Unique components, accessories, and hardware kits are not typically included in the Product Certification Test Protocols. Unless otherwise Specified, the Product Certifications referred to herein are predicated upon the base product model configuration.
- RAW LUMENS: 733 lumens
- EFFECTIVE LUMENS: 711 lumens
- ILLUMINANCE: .27 lux
- PEAK BEAM INTENSITY: 258 Candela
- EFFICACY: 72.3 lm/W
- CORRELATED COLOR TEMPERATURE: K
- VOLTAGE (NOMINAL): 12 to 24 VDC
- VOLTAGE (EXTREME): 9.0 to 32.0 VDC
- CURRENT (PEAK): 0.76A (@ 12 VDC NOMINAL)
- POWER (MAXIMUM): 9.5W (@ 12 VDC NOMINAL)
- TEMPERATURE RANGE: -22°F (-30°C) TO 122°F (50°C)
- CONNECTION: 2 LEAD WIRES
- MOUNTING:
- HOUSING MATERIAL: ALUMINUM
- LENS MATERIAL: POLYCARBONATE
- PRODUCT WEIGHT: .56 LBS (0.25 Kg)

MOUNTING DISCLAIMER

MOUNTING MEASUREMENT IS FOR REFERENCE ONLY. MEASURE BEFORE DRILLING.

DISCLAIMER

DIMENSIONS, ILLUSTRATIONS, SPECIFICATIONS AND CERTIFICATIONS CONTAINED IN THIS DOCUMENT ARE TYPICAL OF THE ACTUAL PRODUCT AND ARE SUBJECT TO CHANGE. ECCO ENGINEERING DOES NOT MAINTAIN FORMAL DESIGN CONTROL OF THIS PRODUCT.

SCALE 1:2		APPROVALS	DATE
CAD GENERATED DRAWING DO NOT MANUALLY UPDATE. MODEL REFERENCED: 01		DRAWN BY	2017-07-07
		CHECKED ABB	2017-07-10
TOLERANCES ARE IN INCHES, AND MILLIMETERS TOLERANCES UNLESS OTHERWISE STATED ARE:		MECH. ENG.	
MILLIMETERS DECIMALS XX. ± 1.0mm XX.X ± 0.5mm	INCHES DECIMALS X.X ± 0.1 X.XX ± 0.04 X.XXX ± 0.02	ELEC. ENG.	
	ANGLES ± 0.5°	TEST ENG. JRT	2017-07-11
	FRACTIONS ± 1/64	SALES	
THIRD ANGLE PROJECTION			
NON DISCLOSURE AGREEMENT		ECCO ® www.eccolink.com Americas (800) 635-5900 Europe +44 (0)113 237 5340 Asia Pacific +61 (0)3 63322444	
THIS DRAWING AND THE DESIGN IT DISCLOSES ARE THE PRIVATE PROPERTY OF ELECTRONIC CONTROLS CO. AND IS ISSUED IN CONFIDENCE FOR ENGINEERING INFORMATION ONLY. THE DRAWING AND / OR DESIGN MAY NOT BE USED, COPIED, REPRODUCED, OR OTHERWISE DISCLOSED IN PART OR AS A WHOLE TO OUTSIDERS OR USED FOR ANY OTHER PURPOSE WITHOUT THE PRIOR WRITTEN CONSENT OF ELECTRONIC CONTROLS CO. THE DRAWING IS SUBJECT TO RECALL AT ANY TIME. YOUR POSSESSION OF THIS DOCUMENT CONSTITUTES ACCEPTANCE OF THESE TERMS. © 2017 ELECTRONIC CONTROLS CO.		INTLIGHT, 5" RND HARDWIRED, 51 LED, 12-24V CUSTOMER PART NO. EW0205 PRODUCT SERIES:	
		SIZE: A	DWG. NO. EW0205
		REV. A	
Electronically Controlled Use Latest Copy		SHEET 1 OF 1	Project: EL0064 Date Created: 2017-02-08