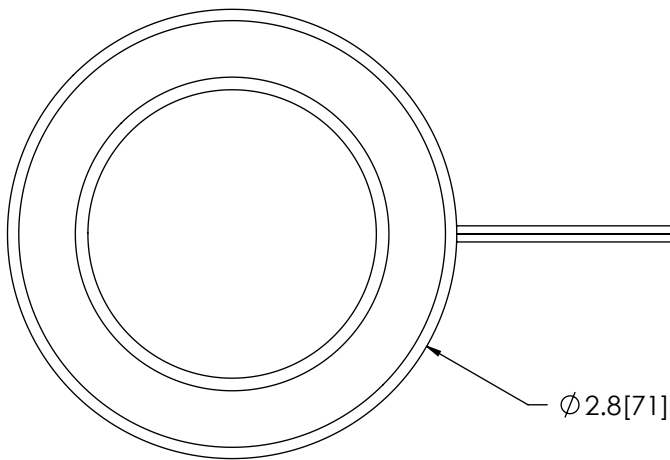
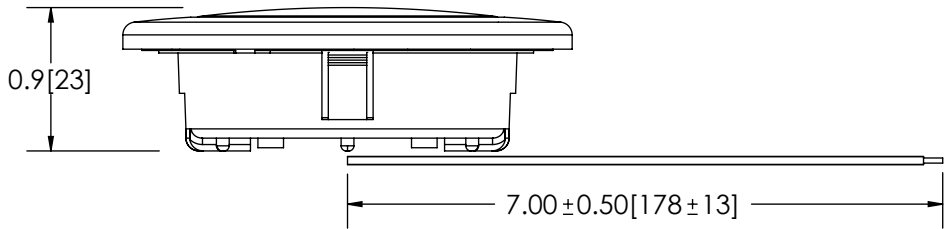


REVISION HISTORY		
REV.	DESCRIPTION	DATE
08	REVISED PER LM14240	2016-01-27
A	INITIAL RELEASE PER LM14240	2016-03-07
B	REVISE PER LM14240	2016-04-06



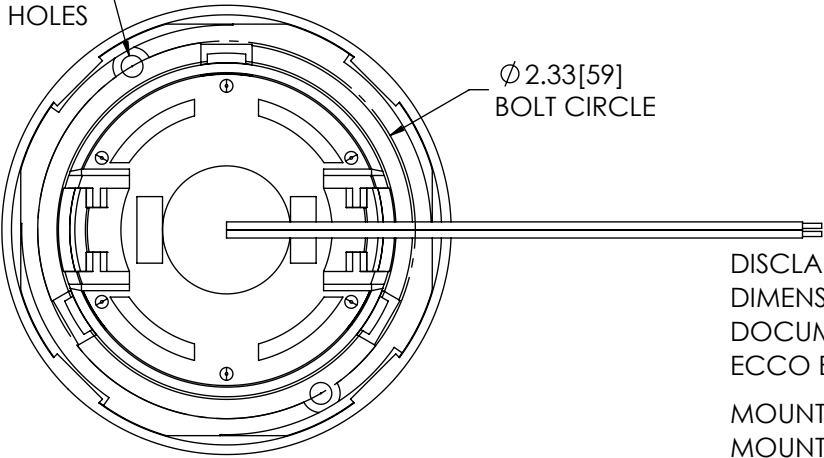
TOP VIEW



FRONT VIEW

2X $\varnothing 0.13$ [3]
MOUNTING HOLES

$\varnothing 2.33$ [59]
BOLT CIRCLE



BOTTOM VIEW

2-20 AWG WIRES
RED - POSITIVE(+)
BLACK - NEGATIVE(-)

COLOR CHART	
FGS NO.	BEZEL COLOR
EW0210	WHITE
EW0211	CHROME


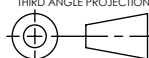
SPECIFICATIONS

- CERTIFICATIONS: **CE**;
Note: Unique components, accessories, and hardware kits are not typically included in the Product Certification Test Protocols. Unless otherwise Specified, the Product Certifications referred to herein are predicated upon the base product model configuration.
- RAW LUMENS: 79 lumens
- EFFECTIVE LUMENS: 68 lumens
- CORRELATED COLOR TEMPERATURE: 4453K
- VOLTAGE (NOMINAL): 12 VDC
- VOLTAGE (EXTREME): 10 to 16 VDC
- CURRENT (PEAK): 0.1A (@ 12 VDC NOMINAL)
- POWER (MAXIMUM): 1.3W (@ 12 VDC NOMINAL)
- TEMPERATURE RANGE: -22°F (-30°C) TO 122°F (50°C)
- CONNECTION: 2 - 20 AWG WIRES
- MOUNTING: FLUSH
- HOUSING MATERIAL: PENDING
- LENS MATERIAL: PENDING
- PRODUCT WEIGHT: 0.12 LBS (0.05 Kg)

DISCLAIMER
DIMENSIONS, ILLUSTRATIONS, SPECIFICATIONS, AND CERTIFICATIONS CONTAINED IN THIS DOCUMENT ARE TYPICAL OF THE ACTUAL PRODUCT AND ARE SUBJECT TO CHANGE. ECCO ENGINEERING DOES NOT MAINTAIN FORMAL DESIGN CONTROL OF THIS PRODUCT

MOUNTING DISCLAIMER:
MOUNTING MEASUREMENT IS FOR REFERENCE ONLY. MEASURE BEFORE DRILLING.

- NOTES:**
- FOR INTERIOR USE ONLY
 - ROHS COMPLIANT
 - DIMENSIONS IN INCHES[MILLIMETERS (FOR REFERENCE)]

SCALE 1:24		APPROVALS	DATE	 www.eccolink.com Americas (800) 635-5900 Europe +44 (0)113 237 5340 Asia Pacific +61 (0)3 63322444
CAD GENERATED DRAWING DO NOT MANUALLY UPDATE. MODEL REFERENCED:01		DRAWN BY JDT	2016-04-05	
TOLERANCES ARE IN INCHES, AND MILLIMETERS TOLERANCES UNLESS OTHERWISE STATED ARE:		CHECKED ABD	2016-04-06	
MILLIMETERS DECIMALS XX. ± 1.0mm XX.X ± 0.5mm		MECH. ENG. JLA	2016-04-05	
INCHES DECIMALS X.X ± 0.1 X.XX ± 0.04 X.XXX ± 0.02		ELEC. ENG. TJT	2016-04-05	INTERIOR LIGHT, EW021X CUSTOMER PART NO. SEE CHART PRODUCT SERIES: EW200
ANGLES ± 0.5° FRACTIONS ± 1/64		TEST ENG. JRT	2016-04-06	
THIRD ANGLE PROJECTION		SALES. JPT	2016-04-06	
		SIZE: A DWG. NO. EW021X REV. B Electronically Controlled Use Latest Copy SHEET 1 OF 1 Project: LM14240 Date Created: 2015-11-11		

NON DISCLOSURE AGREEMENT
THIS DRAWING AND THE DESIGN IT DISCLOSES ARE THE PRIVATE PROPERTY OF ESG AND IS ISSUED IN CONFIDENCE FOR ENGINEERING INFORMATION ONLY. THE DRAWING AND / OR DESIGN MAY NOT BE USED, COPIED, REPRODUCED, OR OTHERWISE DISCLOSED IN PART OR AS A WHOLE TO OUTSIDERS OR USED FOR ANY OTHER PURPOSE WITHOUT THE PRIOR WRITTEN CONSENT OF ESG. THE DRAWING IS SUBJECT TO RECALL AT ANY TIME. YOUR POSSESSION OF THIS DOCUMENT CONSTITUTES ACCEPTANCE OF THESE TERMS. © 2015 ECCO