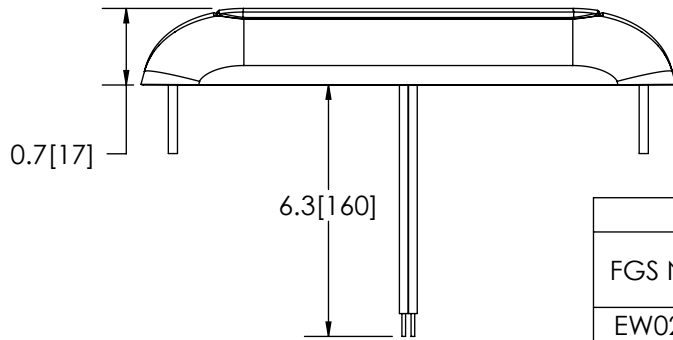
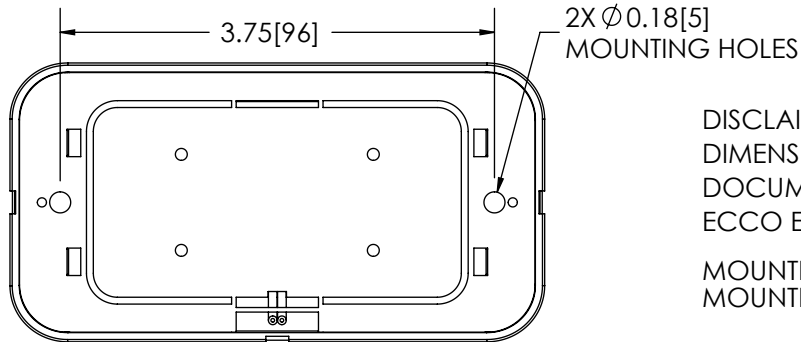


TOP VIEW



FRONT VIEW



BOTTOM VIEW

NOTES:

1. FOR INTERIOR USE ONLY
2. ROHS COMPLIANT
3. DIMENSIONS IN INCHES[MILLIMETERS (FOR REFERENCE)]

| COLOR CHART | |
|-------------|-------------|
| FGS NO. | BEZEL COLOR |
| EW0230 | WHITE |
| EW0231 | CHROME |

| FGS PRODUCT CHART | | |
|-------------------|----------------|-------------------|
| FGS NO. | CURRENT (AMPS) | MAX POWER (WATTS) |
| EW0230 | 0.24 | 3.02 |
| EW0231 | 0.24 | 3.07 |

| REVISION HISTORY | | |
|------------------|-----------------------------|------------|
| REV. | DESCRIPTION | DATE |
| 07 | REVISED PER LM14240 | 2016-03-01 |
| A | INITIAL RELEASE PER LM14240 | 2016-03-14 |
| B | REVISE PER LM14240 | 2016-04-14 |

SPECIFICATIONS

1. CERTIFICATIONS: **CE**;
 Note: Unique components, accessories, and hardware kits are not typically Included in the Product Certification Test Protocols. Unless otherwise Specified, the Product Certifications referred to herein are predicated upon the base product model configuration.
2. RAW LUMENS: 140 lumens
3. EFFECTIVE LUMENS: 150 lumens
4. ILLUMINANCE: lux
5. PEAK BEAM INTENSITY: Candela
6. EFFICACY: lm/W
7. CORRELATED COLOR TEMPERATURE: 4342K
8. VOLTAGE (NOMINAL): 12 to 24 VDC
9. VOLTAGE (EXTREME): 9 to 32 VDC
10. CURRENT (PEAK): SEE CHART
11. POWER (MAXIMUM): SEE CHART
12. TEMPERATURE RANGE: -22°F (-30°C) TO 122°F (50°C)
13. CONNECTION: 2 - 18 AWG WIRES
14. MOUNTING: 2 BOLT
15. HOUSING MATERIAL: ABS
16. LENS MATERIAL:
17. PRODUCT WEIGHT: 0.12 LBS (0.05 Kg)

DISCLAIMER


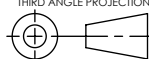
DIMENSIONS, ILLUSTRATIONS, SPECIFICATIONS AND CERTIFICATIONS CONTAINED IN THIS DOCUMENT ARE TYPICAL OF THE ACTUAL PRODUCT AND ARE SUBJECT TO CHANGE. ECCO ENGINEERING DOES NOT MAINTAIN FORMAL DESIGN CONTROL OF THIS PRODUCT.

MOUNTING DISCLAIMER:

MOUNTING IS FOR REFERENCE ONLY. MEASURE BEFORE DRILLING.

NON DISCLOSURE AGREEMENT

THIS DRAWING AND THE DESIGN IT DISCLOSES ARE THE PRIVATE PROPERTY OF ESG AND IS ISSUED IN CONFIDENCE FOR ENGINEERING INFORMATION ONLY. THE DRAWING AND / OR DESIGN MAY NOT BE USED, COPIED, REPRODUCED, OR OTHERWISE DISCLOSED IN PART OR AS A WHOLE TO OUTSIDERS OR USED FOR ANY OTHER PURPOSE WITHOUT THE PRIOR WRITTEN CONSENT OF ESG. THE DRAWING IS SUBJECT TO RECALL AT ANY TIME. YOUR POSSESSION OF THIS DOCUMENT CONSTITUTES ACCEPTANCE OF THESE TERMS. © 2015 ECCO

| SCALE 1:32 | | APPROVALS | DATE |  www.eccolink.com Americas (800) 635-5900 Europe +44 (0)113 237 5340 Asia Pacific +61 (0)3 63322444 |
|--|--|--|------------|--|
| CAD GENERATED DRAWING DO NOT MANUALLY UPDATE. MODEL REFERENCED:01 | | DRAWN BY ABD | 2016-04-13 | |
| TOLERANCES ARE IN INCHES, AND MILLIMETERS TOLERANCES UNLESS OTHERWISE STATED ARE: | | CHECKED ABB | 2016-04-14 | |
| MILLIMETERS DECIMALS XX. ± 1.0mm XX.X ± 0.5mm | | MECH. ENG. JLA | 2016-04-13 | |
| INCHES DECIMALS X.X ± 0.1 X.XX ± 0.04 X.XXX ± 0.02 | | ELEC. ENG. TJT | 2016-04-13 | INT LIGHT,EW023X CUSTOMER PART NO. SEE CHART PRODUCT SERIES: |
| ANGLES ± 0.5° FRACTIONS ± 1/64 | | TEST ENG. JRT | 2016-04-13 | |
| THIRD ANGLE PROJECTION | | SALES. DMV | 2016-04-13 | |
|  | | SIZE: A DWG. NO. EW023X REV. B Electronically Controlled Use Latest Copy SHEET 1 OF 1 Project: LM14240 Date Created: 2015-11-11 | | |