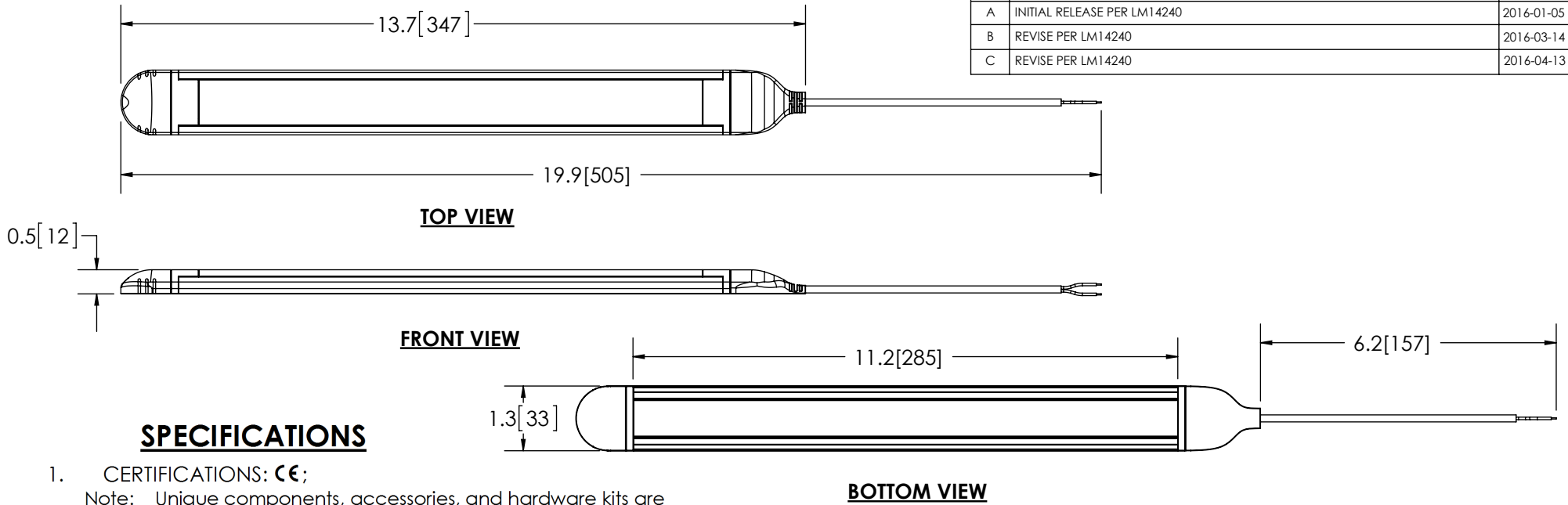


REVISION HISTORY		
REV.	DESCRIPTION	DATE
A	INITIAL RELEASE PER LM14240	2016-01-05
B	REVISE PER LM14240	2016-03-14
C	REVISE PER LM14240	2016-04-13



SPECIFICATIONS

1. CERTIFICATIONS: CE;

Note: Unique components, accessories, and hardware kits are not typically included in the Product Certification Test Protocols. Unless otherwise Specified, the Product Certifications referred to herein are predicated upon the base product model configuration.

- RAW LUMENS: 283 lumens
- EFFECTIVE LUMENS: 255 lumens
- ILLUMINANCE: lux
- PEAK BEAM INTENSITY: Candela
- EFFICACY: lm/W
- CORRELATED COLOR TEMPERATURE: K
- VOLTAGE (NOMINAL): 12 VDC
- VOLTAGE (EXTREME): 9.0 to 16.0 VDC
- CURRENT (PEAK): 0.5A (@ 12 VDC NOMINAL)
- POWER (MAXIMUM): 6.4W (@ 12 VDC NOMINAL)
- TEMPERATURE RANGE: -22°F (-30°C) TO 122°F (50°C)
- CONNECTION: 2 - 22 AWG WIRES
- MOUNTING: 2 BOLT
- HOUSING MATERIAL: ALUMINUM
- LENS MATERIAL: POLYCARBONATE
- PRODUCT WEIGHT: 0.24 LBS (0.11 Kg)


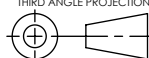
BOTTOM VIEW

DISCLAIMER

DIMENSIONS, ILLUSTRATIONS, SPECIFICATIONS, AND CERTIFICATIONS CONTAINED IN THIS DOCUMENT ARE TYPICAL OF THE ACTUAL PRODUCT AND ARE SUBJECT TO CHANGE. ECCO ENGINEERING DOES NOT MAINTAIN FORMAL DESIGN CONTROL OF THIS PRODUCT.

NOTES:

- FOR INTERIOR USE ONLY
- ROHS COMPLIANT
- DIMENSIONS IN INCHES[MILLIMETERS (FOR REFERENCE)]

SCALE 1:4		APPROVALS	DATE	 www.eccolink.com													
CAD GENERATED DRAWING DO NOT MANUALLY UPDATE. MODEL REFERENCED:01		DRAWN BY: ABD	2016-04-12	Americas (800) 635-5900 Europe +44 (0)113 237 5340 Asia Pacific +61 (0)3 63322444													
		CHECKED: ABB	2016-04-13														
TOLERANCES ARE IN INCHES, AND MILLIMETERS TOLERANCES UNLESS OTHERWISE STATED ARE:		MECH. ENG. JLA	2016-04-12	INTLIGHT, 16LED, 12" MODULAR RECT, 12V, FROST													
		ELEC. ENG. TJT	2016-04-12														
<table border="1"> <tr> <th>MILLIMETERS DECIMALS</th> <th>INCHES DECIMALS</th> <th>ANGLES</th> </tr> <tr> <td>XX. ± 1.0mm</td> <td>X.X ± 0.1</td> <td>± 0.5°</td> </tr> <tr> <td>XX.X ± 0.5mm</td> <td>X.XX ± 0.04</td> <td>FRACTIONS</td> </tr> <tr> <td></td> <td>X.XXX ± 0.02</td> <td>± 1/64</td> </tr> </table>		MILLIMETERS DECIMALS	INCHES DECIMALS	ANGLES	XX. ± 1.0mm	X.X ± 0.1	± 0.5°	XX.X ± 0.5mm	X.XX ± 0.04	FRACTIONS		X.XXX ± 0.02	± 1/64	TEST ENG. JRT	2016-04-13	CUSTOMER PART NO. EW035X	
		MILLIMETERS DECIMALS	INCHES DECIMALS	ANGLES													
XX. ± 1.0mm	X.X ± 0.1	± 0.5°															
XX.X ± 0.5mm	X.XX ± 0.04	FRACTIONS															
	X.XXX ± 0.02	± 1/64															
SALES. DMV	2016-04-13	PRODUCT SERIES:															
NON DISCLOSURE AGREEMENT		THIRD ANGLE PROJECTION		SIZE: A	DWG. NO. EW035X												
<small>THIS DRAWING AND THE DESIGN IT DISCLOSES ARE THE PRIVATE PROPERTY OF ESG AND IS ISSUED IN CONFIDENCE FOR ENGINEERING INFORMATION ONLY. THE DRAWING AND / OR DESIGN MAY NOT BE USED, COPIED, REPRODUCED, OR OTHERWISE DISCLOSED IN PART OR AS A WHOLE TO OUTSIDERS OR USED FOR ANY OTHER PURPOSE WITHOUT THE PRIOR WRITTEN CONSENT OF ESG. THE DRAWING IS SUBJECT TO RECALL AT ANY TIME. YOUR POSSESSION OF THIS DOCUMENT CONSTITUTES ACCEPTANCE OF THESE TERMS. © 2015 ECCO</small>				Project: LM14240	Date Created: 2015-11-12												
		Electronically Controlled Use Latest Copy		SHEET 1 OF 1	REV. C												