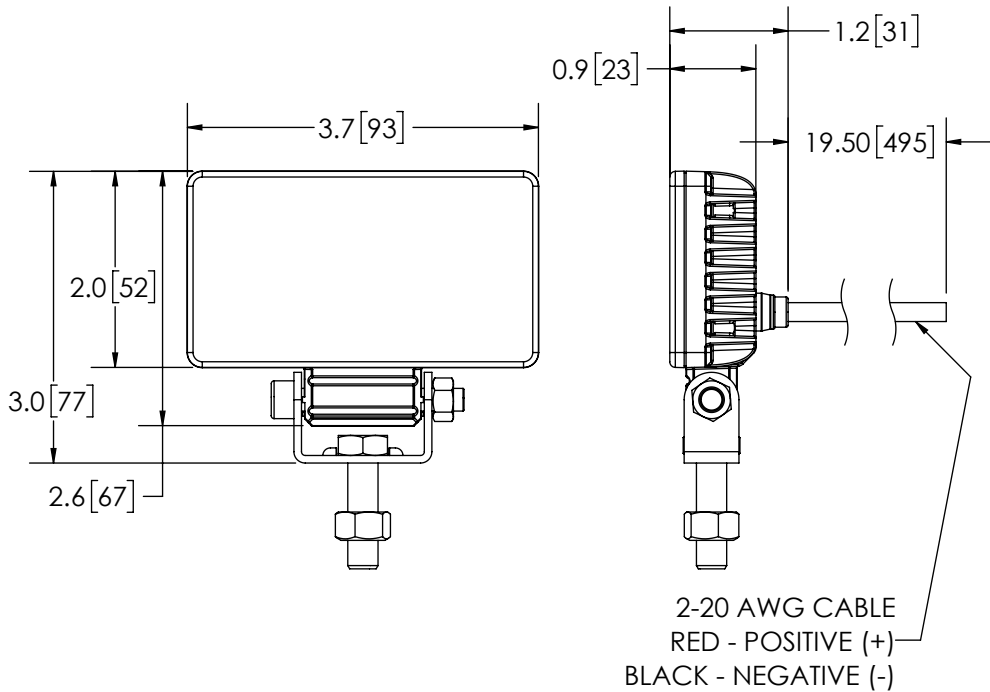


REVISION HISTORY		
REV.	DESCRIPTION	DATE
B	REVISE PER LM14265	2016-01-20
C	REVISE PER LM14265	2016-02-16
D	REVISED PER EC6595	2022-01-10



SPECIFICATIONS

- CERTIFICATIONS: **CE**; ECE R10; IP67
 Note: Unique components, accessories, and hardware kits are not typically included in the Product Certification Test Protocols. Unless otherwise Specified, the Product Certifications referred to herein are predicated upon the base product model configuration.
- RAW LUMENS: 580 lumens
- EFFECTIVE LUMENS: 560 lumens
- ILLUMINANCE: 0.23 lux
- PEAK BEAM INTENSITY: 210 Candela
- EFFICACY: 110 lm/W
- CORRELATED COLOR TEMPERATURE: 5883K
- VOLTAGE (NOMINAL): 12 to 24 VDC
- VOLTAGE (EXTREME): 10 to 30 VDC
- CURRENT (PEAK): 0.43A (@ 12 VDC NOMINAL)
- POWER (MAXIMUM): 5.2W (@ 12 VDC NOMINAL)
- TEMPERATURE RANGE: -22°F (-30°C) TO 122°F (50°C)
- CONNECTION: 2 CONDUCTOR CABLE
- MOUNTING: SINGLE BOLT
- HOUSING MATERIAL: ALUMINUM
- LENS MATERIAL: POLYCARBONATE
- PRODUCT WEIGHT: 0.5 LBS (0.23 Kg)


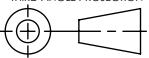
DISCLAIMER

DIMENSIONS, ILLUSTRATIONS, SPECIFICATIONS, AND CERTIFICATIONS CONTAINED IN THIS DOCUMENT ARE TYPICAL OF THE ACTUAL PRODUCT AND ARE SUBJECT TO CHANGE. ECCO ENGINEERING DOES NOT MAINTAIN FORMAL DESIGN CONTROL OF THIS PRODUCT

- NOTES:
- ROHS COMPLIANT
 - DIMENSIONS IN INCHES[MILLIMETERS (FOR REFERENCE)]

PROPRIETARY AND CONFIDENTIAL INFORMATION

THIS DRAWING AND THE DESIGN AND OTHER INFORMATION DISCLOSED HEREIN ARE THE PROPERTY OF ELECTRONIC CONTROLS COMPANY AND/OR ITS ECCO SAFETY GROUP AFFILIATES ("ECCO") AND IS ISSUED IN CONFIDENCE TO RECIPIENT FOR ENGINEERING INFORMATION PURPOSES ONLY. THIS DRAWING AND THE DESIGN AND OTHER INFORMATION DISCLOSED HEREIN MAY NOT BE USED, COPIED, REPRODUCED OR OTHERWISE DISCLOSED IN PART OR IN WHOLE TO THIRD PARTIES OR USED FOR ANY OTHER PURPOSE WITHOUT PRIOR ECCO WRITTEN CONSENT. ECCO RESERVES ALL PATENT, COPYRIGHT, TRADEMARK AND OTHER PROPRIETARY RIGHTS TO THIS DOCUMENT, INCLUDING ALL DESIGN, MANUFACTURING, REPRODUCTION, USE AND SALES RIGHTS THERETO. THIS DRAWING IS SUBJECT TO RECALL BY ECCO AT ANY TIME, AND YOUR POSSESSION AND/OR USE CONSTITUTES ACCEPTANCE OF THESE TERMS. ©2015 ELECTRONIC CONTROLS COMPANY

SCALE 1:2		APPROVALS	DATE	 ECCO [®] www.eccolink.com Americas (800) 635-5900 Europe +44 (0)113 237 5340 Asia Pacific +61 (0)3 63322444
CAD GENERATED DRAWING DO NOT MANUALLY UPDATE.		DRAWN BY JW	2022-01-07	
TOLERANCES ARE IN INCHES, AND MILLIMETERS TOLERANCES UNLESS OTHERWISE STATED ARE:		CHECKED BTK	2022-01-10	
MILLIMETERS DECIMALS XX. ± 1.0mm XX.X ± 0.5mm	INCHES DECIMALS X.X ± 0.1 X.XX ± 0.04 X.XXX ± 0.02	MECH. ENG.		
	ANGLES ± 0.5° FRACTIONS ± 1/64	ELEC. ENG. SPO	2022-01-07	
		TEST ENG. JRT	2022-01-07	
		SALES.		
THIRD ANGLE PROJECTION			CUSTOMER PART NO. EW2019	
		SIZE: A	DWG. NO. EW2019	REV. D
Electronically Controlled Use Latest Copy		SHEET 1 OF 1	Project: LM14265	Date Created: 2015-09-15