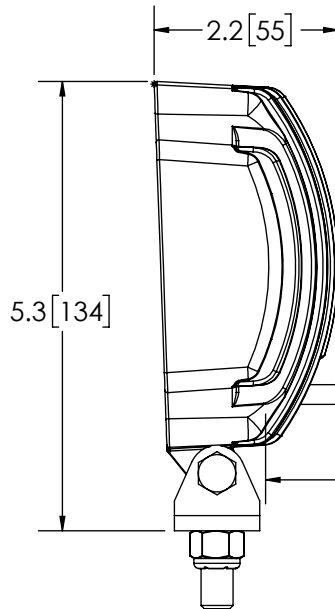


1/4"-20 ZINC-PLATED HEX NUT
 1/4" ZINC-PLATED SPLIT LOCK WASHER
 1/4" ZINC-PLATED HEX BOLT
 ZINC-PLATED STEEL BRACKET
 3/8"-16 NYLON LOCK NUT
 GRADE 5, 3/8"-16 X 1" PLATED BOLT

2.1 [53]



18.50±0.50 [470±13]

REVISION HISTORY		
REV.	DESCRIPTION	DATE
B	REVISE PER P12007	2014-08-19
C	REVISE PER P12007	2014-11-04
D	REVISED PER EC6296	2021-08-20

SPECIFICATIONS

- CERTIFICATIONS: **CE**; ECE R10; C-Tick RCM; IP67D, Category 2, Restricted
 Note: Unique components, accessories, and hardware kits are not typically included in the Product Certification Test Protocols. Unless otherwise Specified, the Product Certifications referred to herein are predicated upon the base product model configuration.
- RAW LUMENS: 2000 lumens
- EFFECTIVE LUMENS: 1600 lumens
- ILLUMINANCE: 8.6 lux
- PEAK BEAM INTENSITY: 8020 Candela
- EFFICACY: 75.3 lm/W
- CORRELATED COLOR TEMPERATURE: 7125K
- VOLTAGE (NOMINAL): 12-24 VDC
- VOLTAGE (EXTREME): 9-32 VDC
- CURRENT (PEAK): 2.6A (@ 12 VDC NOMINAL)
- POWER (MAXIMUM): 35.6W (@ 12 VDC NOMINAL)
- TEMPERATURE RANGE: -22°F (-30°C) TO 122°F (50°C)
- CONNECTION: 3 CONDUCTOR 18 AWG CABLE
- MOUNTING: BRACKET MOUNT
- HOUSING MATERIAL: ALUMINUM
- LENS MATERIAL: POLYCARBONATE
- PRODUCT WEIGHT: 1.1 LBS (0.5 Kg)

NOTES:
 1. ROHS COMPLIANT
 2. DIMENSIONS IN INCHES [MILLIMETERS (FOR REFERENCE)]

PROPRIETARY AND CONFIDENTIAL INFORMATION

THIS DRAWING AND THE DESIGN AND OTHER INFORMATION DISCLOSED HEREIN ARE THE PROPERTY OF ELECTRONIC CONTROLS COMPANY AND/OR ITS ECCO SAFETY GROUP AFFILIATES ("ECCO") AND IS ISSUED IN CONFIDENCE TO RECIPIENT FOR ENGINEERING INFORMATION PURPOSES ONLY. THIS DRAWING AND THE DESIGN AND OTHER INFORMATION DISCLOSED HEREIN MAY NOT BE USED, COPIED, REPRODUCED OR OTHERWISE DISCLOSED IN PART OR IN WHOLE TO THIRD PARTIES OR USED FOR ANY OTHER PURPOSE WITHOUT PRIOR ECCO WRITTEN CONSENT. ECCO RESERVES ALL PATENT, COPYRIGHT, TRADEMARK AND OTHER PROPRIETARY RIGHTS TO THIS DOCUMENT, INCLUDING ALL DESIGN, MANUFACTURING, REPRODUCTION, USE AND SALES RIGHTS THERETO. THIS DRAWING IS SUBJECT TO RECALL BY ECCO AT ANY TIME, AND YOUR POSSESSION AND/OR USE CONSTITUTES ACCEPTANCE OF THESE TERMS. ©2013 ELECTRONIC CONTROLS COMPANY

SCALE 1:2.25		APPROVALS	DATE
CAD GENERATED DRAWING DO NOT MANUALLY UPDATE. MODEL REFERENCED: C		DRAWN BY BTK	2021-07-27
		CHECKED JW	2021-07-28
TOLERANCES ARE IN INCHES, AND MILLIMETERS TOLERANCES UNLESS OTHERWISE STATED ARE:		MECH. ENG. JLA	2021-07-27
		ELEC. ENG. JES	2021-08-06
MILLIMETERS DECIMALS XX. ± 1.0mm XX.X ± 0.5mm		TEST ENG. JRT	2021-07-29
INCHES DECIMALS X.X ± 0.1 X.XX ± 0.04 X.XXX ± 0.02		SALES. ARS	2021-08-10
ANGLES ± 0.5°			
FRACTIONS ± 1/64			
THIRD ANGLE PROJECTION			

ECCO ® www.eccolink.com Americas (800) 635-5900 Europe +44 (0)113 237 5340 Asia Pacific +61 (0)3 63322444		CUSTOMER PART NO. EW2102	
		SIZE: A	DWG. NO. EW2102
Electronically Controlled Use Latest Copy		SHEET 1 OF 1	Project: P12007
		Date Created: 2013-08-29	REV. D