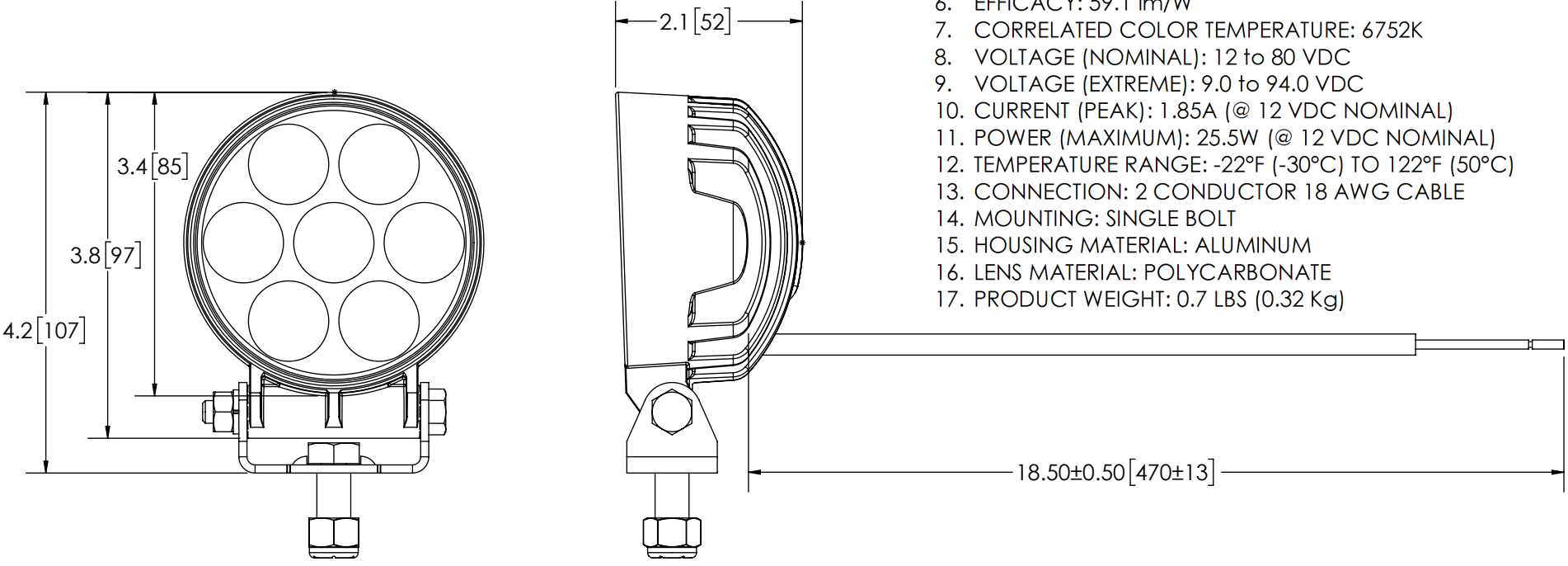



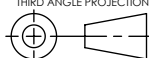
REVISION HISTORY		
REV.	DESCRIPTION	DATE
02	REVISED PER P14020	2016-10-26
A	INITIAL RELEASE PER P14020	2016-11-18
B	REVISE PER P14020	2017-08-08

SPECIFICATIONS

- CERTIFICATIONS: **CE**; **RoHS**; ECE R10; RCM
IP6K6D/ | P6K7D
Note: Unique components, accessories, and hardware kits are not typically included in the Product Certification Test Protocols. Unless otherwise Specified, the Product Certifications referred to herein are predicated upon the base product model configuration.
- RAW LUMENS: 1002 lumens
- EFFECTIVE LUMENS: 914 lumens
- ILLUMINANCE: 10.5 lux
- PEAK BEAM INTENSITY: 9784 Candela
- EFFICACY: 59.1 lm/W
- CORRELATED COLOR TEMPERATURE: 6752K
- VOLTAGE (NOMINAL): 12 to 80 VDC
- VOLTAGE (EXTREME): 9.0 to 94.0 VDC
- CURRENT (PEAK): 1.85A (@ 12 VDC NOMINAL)
- POWER (MAXIMUM): 25.5W (@ 12 VDC NOMINAL)
- TEMPERATURE RANGE: -22°F (-30°C) TO 122°F (50°C)
- CONNECTION: 2 CONDUCTOR 18 AWG CABLE
- MOUNTING: SINGLE BOLT
- HOUSING MATERIAL: ALUMINUM
- LENS MATERIAL: POLYCARBONATE
- PRODUCT WEIGHT: 0.7 LBS (0.32 Kg)



NOTES:
 1. ROHS COMPLIANT
 2. DIMENSIONS IN INCHES[MILLIMETERS (FOR REFERENCE)]

SCALE 1:1.75		APPROVALS	DATE	 ECCO [®] www.eccolink.com Americas (800) 635-5900 Europe +44 (0)113 237 5340 Asia Pacific +61 (0)3 63322444
CAD GENERATED DRAWING DO NOT MANUALLY UPDATE. MODEL REFERENCED: A		DRAWN BY	2017-07-26	
TOLERANCES ARE IN INCHES, AND MILLIMETERS TOLERANCES UNLESS OTHERWISE STATED ARE:		CHECKED	ABB	2017-07-27
MILLIMETERS DECIMALS	INCHES DECIMALS	ANGLES		WORKLAMP, 7LED, 3"ROUND, FLOOD, 12-80VDC CUSTOMER PART NO. EW2110
XX. ± 1.0mm XX.X ± 0.5mm	X.X ± 0.1 X.XX ± 0.04 X.XXX ± 0.02	± 0.5° FRACTIONS ± 1/64		
THIRD ANGLE PROJECTION		MECH. ENG.		PRODUCT SERIES:
		ELEC. ENG.		SIZE: A
		TEST ENG.	JRT	2017-07-31
		SALES		DWG. NO. EW2110
		Electronically Controlled Use Latest Copy		REV. B
		SHEET 1 OF 1	Project: P14020	Date Created: 2016-10-20

THIS DRAWING AND THE DESIGN IT DISCLOSES ARE THE PRIVATE PROPERTY OF ELECTRONIC CONTROLS CO. AND IS ISSUED IN CONFIDENCE FOR ENGINEERING INFORMATION ONLY. THE DRAWING AND / OR DESIGN MAY NOT BE USED, COPIED, REPRODUCED, OR OTHERWISE DISCLOSED IN PART OR AS A WHOLE TO OUTSIDERS OR USED FOR ANY OTHER PURPOSE WITHOUT THE PRIOR WRITTEN CONSENT OF ELECTRONIC CONTROLS CO. THE DRAWING IS SUBJECT TO RECALL AT ANY TIME. YOUR POSSESSION OF THIS DOCUMENT CONSTITUTES ACCEPTANCE OF THESE TERMS. © 2016 ELECTRONIC CONTROLS CO.