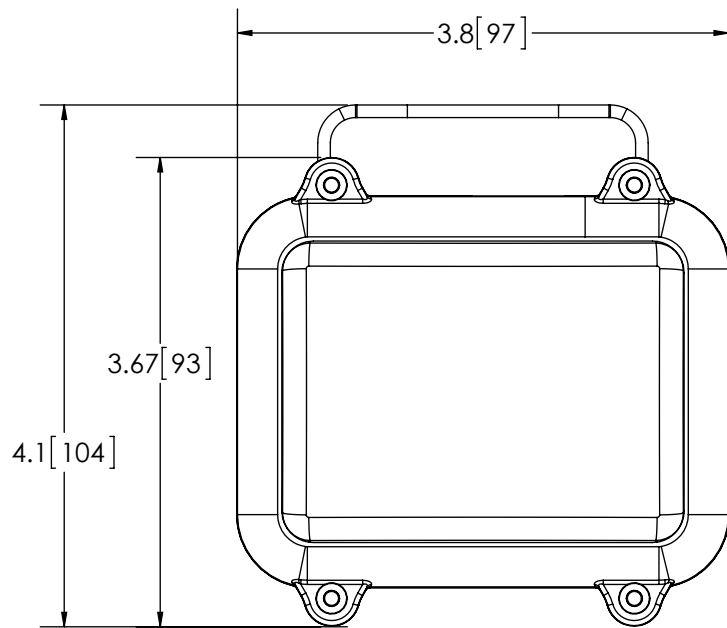
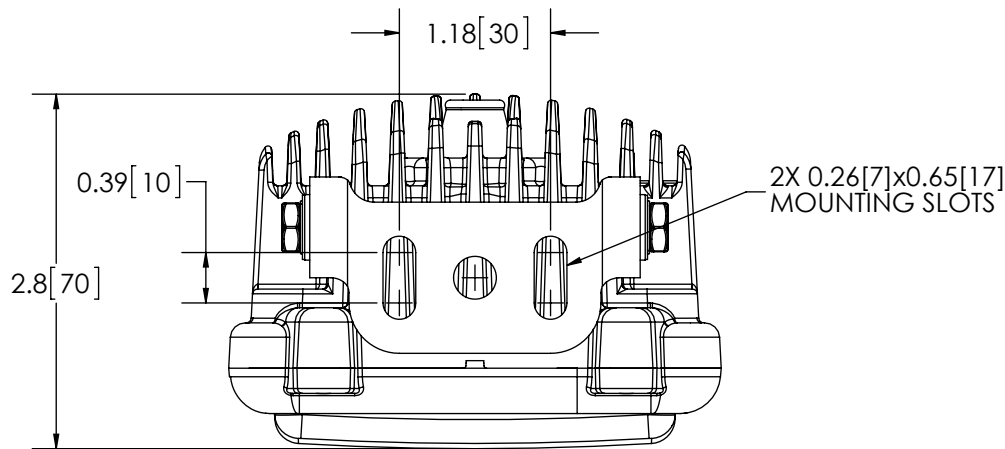



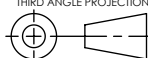
REVISION HISTORY		
REV.	DESCRIPTION	DATE
02	REVISED PER LM14203	2014-06-26
03	REVISED PER LM14203	2014-07-08
A	INITIAL RELEASE PER LM14203	2014-07-28



SPECIFICATIONS

- CERTIFICATIONS:
Note: Unique components, accessories, and hardware kits are not typically included in the Product Certification Test Protocols. Unless otherwise Specified, the Product Certifications referred to herein are predicated upon the base product model configuration.
- LUMINOUS FLUX: 1150 lumens
- ILLUMINANCE: lux
- PEAK BEAM INTENSITY: Candela
- EFFICACY: 73 lm/W
- CORRELATED COLOR TEMPERATURE: 5683K
- VOLTAGE (NOMINAL): 12 to 24 VDC
- VOLTAGE (EXTREME): 9.0 to 32.0 VDC
- CURRENT (PEAK): 1.25A (@ 12 VDC NOMINAL)
- POWER (MAXIMUM): 17.0W (@ 12 VDC NOMINAL)
- TEMPERATURE RANGE: -22°F (-30°C) TO 122°F (50°C)
- CONNECTION: 2 CONDUCTOR CABLE
- MOUNTING: BRACKET MOUNT
- HOUSING MATERIAL: ALUMINUM
- LENS MATERIAL: GLASS
- PRODUCT WEIGHT: 1.1 LBS (0.5 Kg)

NOTES:
1. DIMENSIONS IN INCHES[MILLIMETERS (FOR REFERENCE)]

SCALE 1:1.5		APPROVALS	DATE	 Electronic Controls Co. 833 West Diamond Street, Boise, ID 83705 800-635-5900 www.eccolink.com	
CAD GENERATED DRAWING DO NOT MANUALLY UPDATE. MODEL REFERENCED:02		DRAWN BY SNS	2014-07-08		
TOLERANCES ARE IN INCHES, AND MILLIMETERS TOLERANCES ARE:		CHECKED MDH	2014-07-09		
MILLIMETERS DECIMALS XX. ± 1.0mm XX.X ± 0.5mm	INCHES DECIMALS X.X ± 0.1 X.XX ± 0.04 X.XXX ± 0.02	MECH. ENG. JLA	2014-07-10		
		ELEC. ENG. TJT	2014-07-08		
		TEST ENG. JRT	2014-07-10		
		SALES. WNH	2014-07-17		
WORKLAMP, LED, 3.5IN SQUARE FLOOD, 12-24V CUSTOMER PART NO. EW2303 PRODUCT SERIES: EW2303			SIZE: A	DWG. NO. EW2303	REV. A
THIRD ANGLE PROJECTION 			SHEET 1 OF 1 Project: LM14203 Date Created: 2014-06-05		
NON DISCLOSURE AGREEMENT <small>THIS DRAWING AND THE DESIGN IT DISCLOSES ARE THE PRIVATE PROPERTY OF ECCO AND IS ISSUED IN CONFIDENCE FOR ENGINEERING INFORMATION ONLY. THE DRAWING AND / OR DESIGN MAY NOT BE USED, COPIED, REPRODUCED, OR OTHERWISE DISCLOSED IN PART OR AS A WHOLE TO OUTSIDERS OR USED FOR ANY OTHER PURPOSE WITHOUT THE PRIOR WRITTEN CONSENT OF ECCO. THE DRAWING IS SUBJECT TO RECALL AT ANY TIME. YOUR POSSESSION OF THIS DOCUMENT CONSTITUTES ACCEPTANCE OF THESE TERMS. © 2014 ECCO</small>			Electronically Controlled Use Latest Copy		