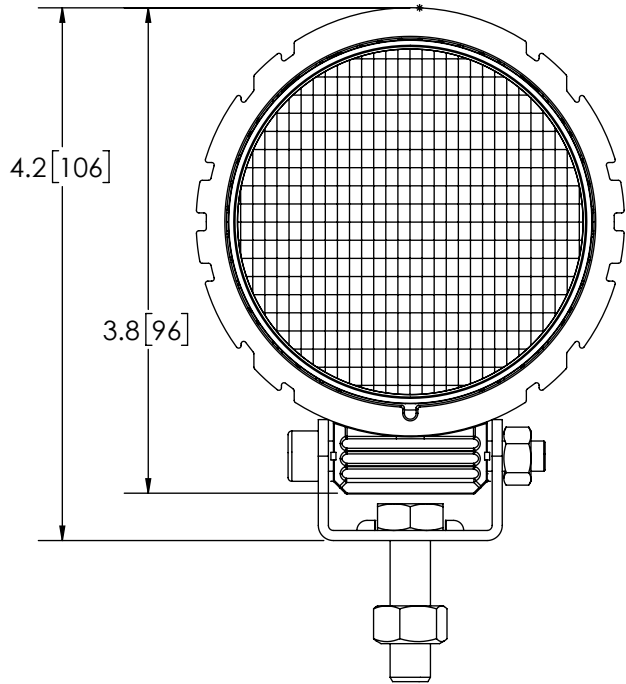
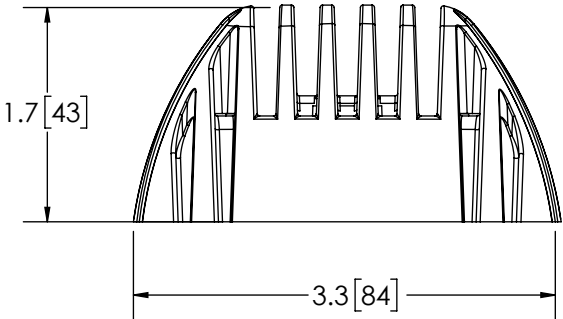


REVISION HISTORY		
REV.	DESCRIPTION	DATE
B	REVISE PER LM14265	2016-01-20
C	REVISE PER LM14265	2016-03-01
D	REVISE PER EC4421	2017-01-18


## SPECIFICATIONS

- CERTIFICATIONS: **CE**; ECE R10; IP67  
 Note: Unique components, accessories, and hardware kits are not typically included in the Product Certification Test Protocols. Unless otherwise Specified, the Product Certifications referred to herein are predicated upon the base product model configuration.
- RAW LUMENS: 778 lumens
- EFFECTIVE LUMENS: 745 lumens
- ILLUMINANCE: 1.0 lux
- PEAK BEAM INTENSITY: 930 Candela
- EFFICACY: 90 lm/W
- CORRELATED COLOR TEMPERATURE: 6354K
- VOLTAGE (NOMINAL): 12 to 24 VDC
- VOLTAGE (EXTREME): 10 to 30 VDC
- CURRENT (PEAK): 0.6A (@ 12 VDC NOMINAL)
- POWER (MAXIMUM): 8.3W (@ 12 VDC NOMINAL)
- TEMPERATURE RANGE: -22°F (-30°C) TO 122°F (50°C)
- CONNECTION: 2 CONDUCTOR CABLE
- MOUNTING: SINGLE BOLT
- HOUSING MATERIAL: ALUMINUM
- LENS MATERIAL: POLYCARBONATE
- PRODUCT WEIGHT: 0.68 LBS (0.31 Kg)



**DISCLAIMER**  
 DIMENSIONS, ILLUSTRATIONS, SPECIFICATIONS, AND CERTIFICATIONS CONTAINED IN THIS DOCUMENT ARE TYPICAL OF THE ACTUAL PRODUCT AND ARE SUBJECT TO CHANGE. ECCO ENGINEERING DOES NOT MAINTAIN FORMAL DESIGN CONTROL OF THIS PRODUCT

- NOTES:**
- ROHS COMPLIANT
  - DIMENSIONS IN INCHES[MILLIMETERS (FOR REFERENCE)]

SCALE 1:1.5		APPROVALS	DATE	 <a href="http://www.eccolink.com">www.eccolink.com</a> Americas (800) 635-5900   Europe +44 (0)113 237 5340   Asia Pacific +61 (0)3 63322444
CAD GENERATED DRAWING DO NOT MANUALLY UPDATE. MODEL REFERENCED:A		DRAWN BY ABB	2016-12-21	
TOLERANCES ARE IN INCHES, AND MILLIMETERS TOLERANCES UNLESS OTHERWISE STATED ARE:		CHECKED	2016-12-22	<b>WORKLAMP, 5 LED, ROUND, MINI, 12-24V, FLOOD</b> CUSTOMER PART NO. <b>EW2481</b>
MILLIMETERS DECIMALS XX. ± 1.0mm XX.X ± 0.5mm	INCHES DECIMALS X.X ± 0.1 X.XX ± 0.04 X.XXX ± 0.02	MECH. ENG.		
	ANGLES ± 0.5° FRACTIONS ± 1/64	ELEC. ENG. JES	2017-01-16	SIZE: A
		TEST ENG. JRT	2017-01-11	DWG. NO. <b>EW2481</b>
		SALES. LAT	2017-01-11	REV. <b>D</b>
THIRD ANGLE PROJECTION		Electronically Controlled Use Latest Copy		SHEET 1 OF 1 Project: LM14265 Date Created: 2015-09-15

THIS DRAWING AND THE DESIGN IT DISCLOSES ARE THE PRIVATE PROPERTY OF ESG AND IS ISSUED IN CONFIDENCE FOR ENGINEERING INFORMATION ONLY. THE DRAWING AND / OR DESIGN MAY NOT BE USED, COPIED, REPRODUCED, OR OTHERWISE DISCLOSED IN PART OR AS A WHOLE TO OUTSIDERS OR USED FOR ANY OTHER PURPOSE WITHOUT THE PRIOR WRITTEN CONSENT OF ESG. THE DRAWING IS SUBJECT TO RECALL AT ANY TIME. YOUR POSSESSION OF THIS DOCUMENT CONSTITUTES ACCEPTANCE OF THESE TERMS. © 2015 ECCO