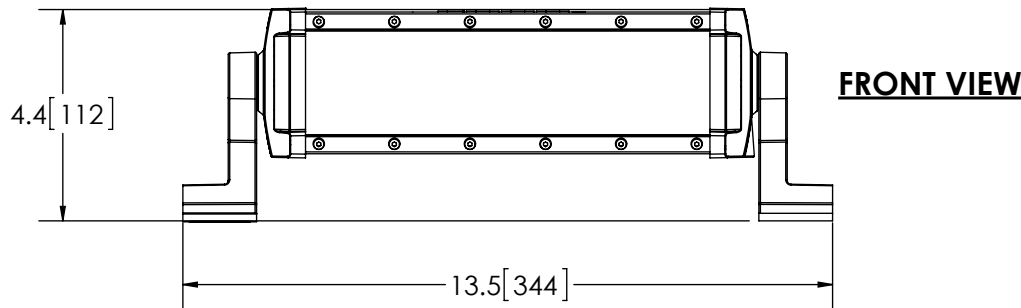
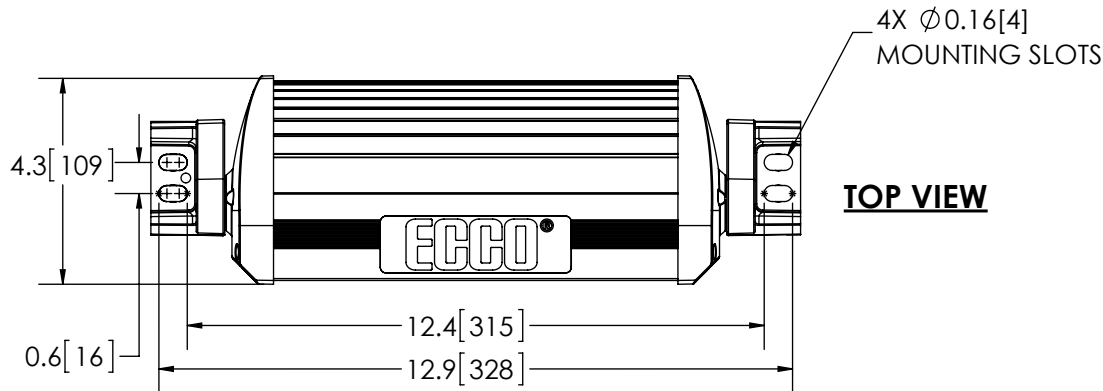


REVISION HISTORY		
REV.	DESCRIPTION	DATE
04	REVISED PER LM14217	2015-06-10
A	INITIAL RELEASE PER LM14217	2015-06-19
B	REVISE PER LM14217	2015-10-01



SPECIFICATIONS

- CERTIFICATIONS: ECE R10; IP67
Note: Unique components, accessories, and hardware kits are not typically included in the Product Certification Test Protocols. Unless otherwise Specified, the Product Certifications referred to herein are predicated upon the base product model configuration.
- RAW LUMENS: SEE CHART
- EFFECTIVE LUMENS: SEE CHART
- EFFICACY: SEE CHART
- CORRELATED COLOR TEMPERATURE: 6605K
- VOLTAGE (NOMINAL): 12 to 24 VDC
- VOLTAGE (EXTREME): 9.0 to 32.0 VDC
- CURRENT (PEAK): SEE CHART (@ 12 VDC NOMINAL)
- POWER (MAXIMUM): SEE CHART (@ 12 VDC NOMINAL)
- TEMPERATURE RANGE: -22°F (-30°C) TO 122°F (50°C)
- CONNECTION: 2 CONDUCTOR CABLE
- MOUNTING: 4 BOLT
- HOUSING MATERIAL: ALUMINUM
- LENS MATERIAL: POLYCARBONATE
- PRODUCT WEIGHT: 4.6 LBS (2.07 Kg)

FGS PRODUCT CHART

FGS. NO.	COLOR	PEAK CURRENT (AMPS)	MAX POWER (WATTS)	RAW LUMENS	EFFECTIVE LUMENS	IP67	EFFICACY
EW3208-F	WHITE	3.8	52.4	2150	1950	X	37 lm/W
EW3208-S	WHITE	3.8	52.4	2450	2250	X	43 lm/W

DISCLAIMER

Dimensions, Illustrations, Specifications, and Certifications contained in this document are typical of the actual product and are subject to change. ECCO Engineering does not maintain formal design control of this product.

- NOTES:
1. DIMENSIONS IN INCHES [MILLIMETERS (FOR REFERENCE)]

SCALE 1:4		APPROVALS	DATE	ECCO® www.eccolink.com	
CAD GENERATED DRAWING DO NOT MANUALLY UPDATE. MODEL REFERENCED:01		DRAWN BY ABB	2015-09-22	Americas (800) 635-5900 Europe +44 (0)113 237 5340 Asia Pacific +61 (0)3 63322444	
TOLERANCES ARE IN INCHES AND MILLIMETERS TOLERANCES UNLESS OTHERWISE STATED ARE:		CHECKED ABD	2015-09-24	LED LIGHTBAR, 8", DOUBLE FLOOD/SPOT, 12-24V	
MILLIMETERS DECIMALS XX ± 1.0mm XX.X ± 0.5mm	INCHES DECIMALS X.X ± 0.1 X.XX ± 0.04 X.XXX ± 0.02	MECH. ENG.		CUSTOMER PART NO. SEE CHART	
	ANGLES ± 0.5° FRACTIONS ± 1/64	ELEC. ENG.		PRODUCT SERIES: EW3000	
THIRD ANGLE PROJECTION		TEST ENG. JRT	2015-09-24	SIZE: A DWG. NO. EW3208-X	
NON DISCLOSURE AGREEMENT		SALES. JPT	2015-09-28	REV. B	
THIS DRAWING AND THE DESIGN IT DISCLOSES ARE THE PRIVATE PROPERTY OF ESG AND IS ISSUED IN CONFIDENCE FOR ENGINEERING INFORMATION ONLY. THE DRAWING AND / OR DESIGN MAY NOT BE USED, COPIED, REPRODUCED, OR OTHERWISE DISCLOSED IN PART OR AS A WHOLE TO OUTSIDERS OR USED FOR ANY OTHER PURPOSE WITHOUT THE PRIOR WRITTEN CONSENT OF ESG. THE DRAWING IS SUBJECT TO RECALL AT ANY TIME. YOUR POSSESSION OF THIS DOCUMENT CONSTITUTES ACCEPTANCE OF THESE TERMS. © 2015 ECCO		Electronically Controlled Use Latest Copy		SHEET 1 OF 1 Project: LM14217 Date Created: 2015-04-14	