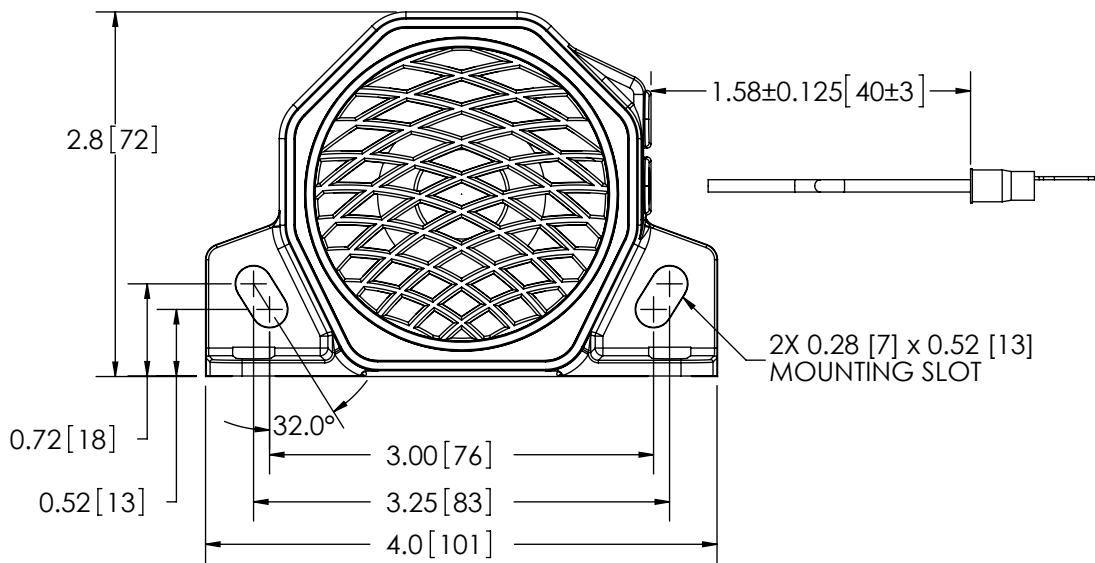
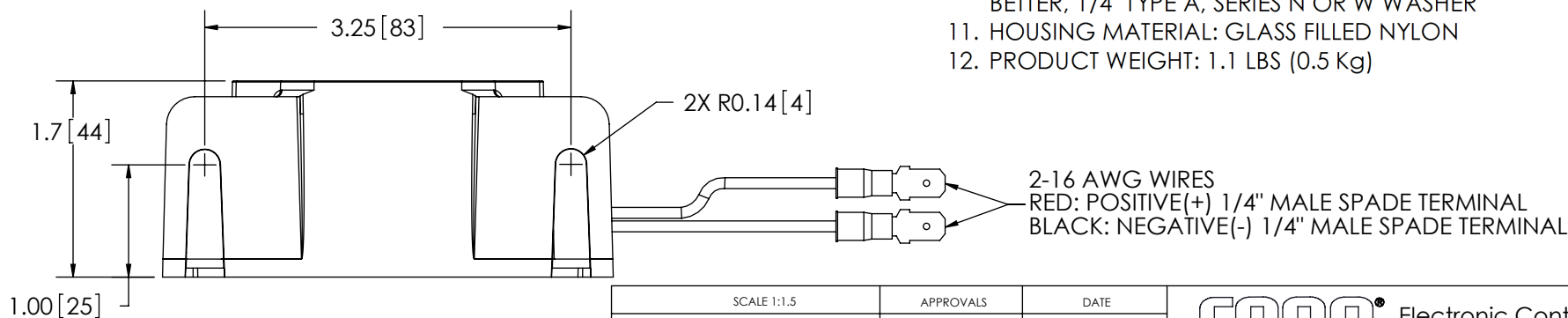


REVISION HISTORY		
REV.	DESCRIPTION	DATE
D	RESTORED ELECT FILE & CHGD SPECS PER CR# 1138	2002-07-25
E	CHANGED HOU/WIRE PER P3# 03001/CR# 1973	2005-09-28
F	REVISE PER P12006	2014-04-01



SPECIFICATIONS

- CERTIFICATIONS: **CE**; **UL**; ECE R10; SAE J1105(SEP 1989), TYPE L;
 Note: Unique components, accessories, and hardware kits are not typically included in the Product Certification Test Protocols. Unless otherwise Specified, the Product Certifications referred to herein are predicated upon the base product model configuration.
- SOUND PRESSURE LEVEL: 107 ± 4 dB (A) @ 1.2m (4ft)
- VOLTAGE (NOMINAL): 12 VDC
- VOLTAGE (EXTREME): 9.8 to 18.2 VDC
- CURRENT (PEAK): 0.5 A (@ 12 VDC NOMINAL)
- POWER (MAXIMUM): 6.5 W (@ 12 VDC NOMINAL)
- TEMPERATURE RANGE: -40°F (-40°C) TO 165°F (74°C)
- FREQUENCY: 880 to 1320 Hz
- CONNECTION: 2-16 AWG WIRES W/TERMINALS
- RECOMMENDED MOUNTING: 1/4 - 20 UNC, GRADE 5 OR BETTER, 1/4" TYPE A, SERIES N OR W WASHER
- HOUSING MATERIAL: GLASS FILLED NYLON
- PRODUCT WEIGHT: 1.1 LBS (0.5 Kg)



NOTES:
 1. ROHS COMPLIANT
 2. DIMENSIONS IN INCHES[MILLIMETERS (FOR REFERENCE)]

SCALE 1:1.5		APPROVALS	DATE
CAD GENERATED DRAWING DO NOT MANUALLY UPDATE. MODEL REFERENCED:D+		DRAWN BY SNS	2014-01-02
		CHECKED BND	2014-01-06
TOLERANCES ARE IN INCHES, AND MILLIMETERS TOLERANCES ARE:		MECH. ENG. JLA	2014-01-02
MILLIMETERS DECIMALS XX. ± 1.0mm XX.X ± 0.5mm	INCHES DECIMALS X.X ± 0.1 X.XX ± 0.04 X.XXX ± 0.02	ELEC. ENG. GCJ	2014-01-03
		TEST ENG. JRT	2014-01-03
		SALES.	
THIRD ANGLE PROJECTION			

ECCO® Electronic Controls Co.
 833 West Diamond Street, Boise, ID 83705
 800-635-5900
 www.eccolink.com

ALARM, FORWARD HORN, 107DBA, 12V

CUSTOMER PART NO. FH575
 PRODUCT SERIES: 500

SIZE: A DWG. NO. FH575
 SHEET 1 OF 1 Project: 98025 Date Created: 1998-11-30

THIS DRAWING AND THE DESIGN IT DISCLOSES ARE THE PRIVATE PROPERTY OF ECCO AND IS ISSUED IN CONFIDENCE FOR ENGINEERING INFORMATION ONLY. THE DRAWING AND / OR DESIGN MAY NOT BE USED, COPIED, REPRODUCED, OR OTHERWISE DISCLOSED IN PART OR AS A WHOLE TO OUTSIDERS OR USED FOR ANY OTHER PURPOSE WITHOUT THE PRIOR WRITTEN CONSENT OF ECCO. THE DRAWING IS SUBJECT TO RECALL AT ANY TIME. YOUR POSSESSION OF THIS DOCUMENT CONSTITUTES ACCEPTANCE OF THESE TERMS. © 2002 ECCO