

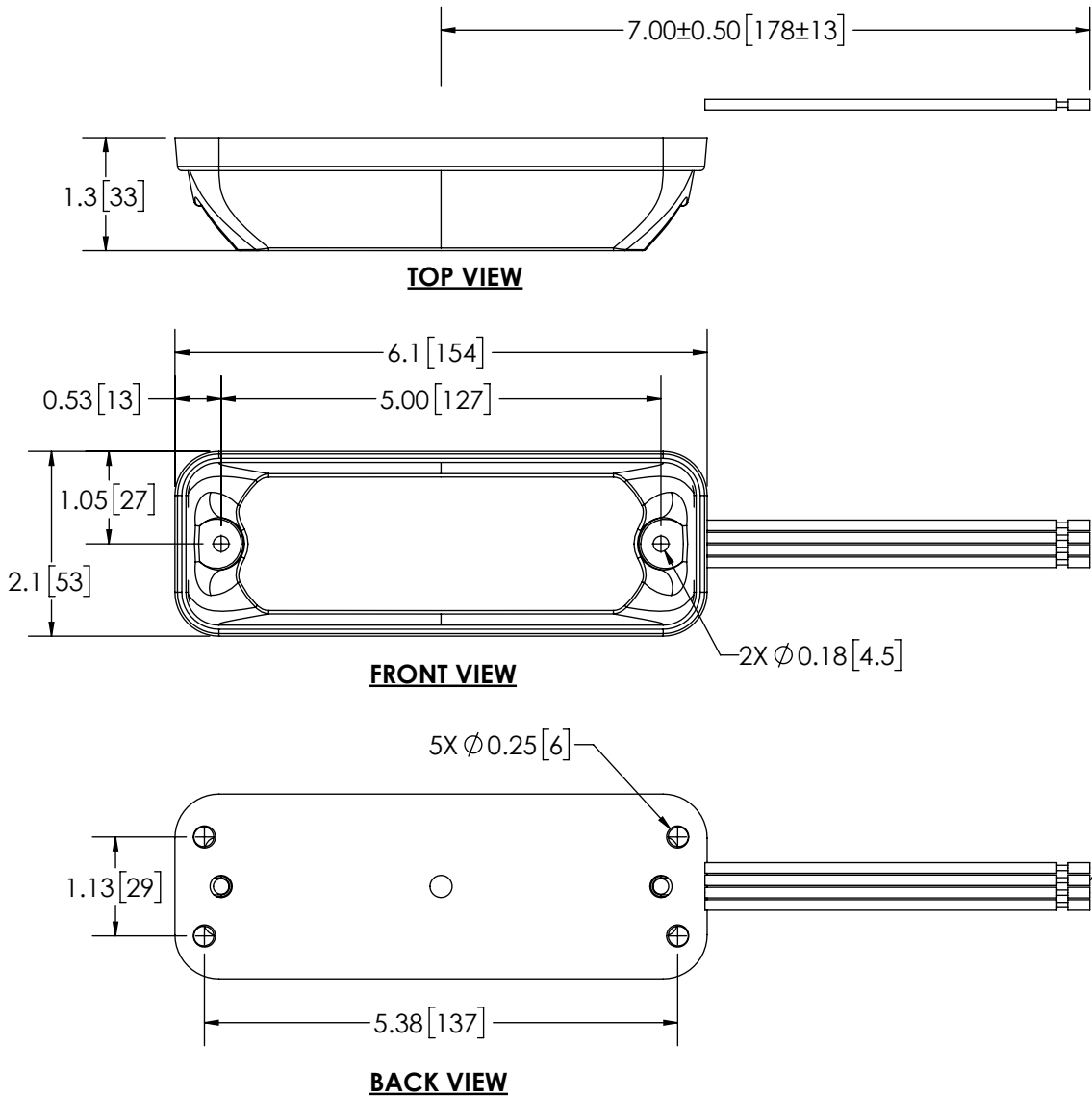
REVISION HISTORY		
REV.	DESCRIPTION	DATE
A	INITIAL RELEASE PER LM11233	2013-02-26
B	REVISE PER LM11233	2013-06-06
C	REVISE PER EL0111	2018-08-28

SPECIFICATIONS

- CERTIFICATIONS: **CE**; ECE R10; SAE J595 (NOV. 2008), CLASS 1; SEE CHART
 Note: Unique components, accessories, and hardware kits are not typically included in the Product Certification Test Protocols. Unless otherwise Specified, the Product Certifications referred to herein are predicated upon the base product model configuration.
- FLASH MODE: SINGLE : 75 ± 5 FLASHES PER MINUTE
 DOUBLE : 75 ± 5 FLASHES PER MINUTE
 QUAD : 75 ± 5 FLASHES PER MINUTE
- VOLTAGE (NOMINAL): 12-24 VDC
- VOLTAGE (EXTREME): 9-32 VDC
- CURRENT (PEAK): SEE CHART (@ 12 VDC NOMINAL)
- POWER (MAXIMUM): SEE CHART (@ 12 VDC NOMINAL)
- TEMPERATURE RANGE: -22°F (-30°C) TO 122°F (50°C)
- CONNECTION: 4-22 AWG WIRES
- MOUNTING: 2 BOLT MOUNT
- BASE MATERIAL: POLYCARBONATE
- LENS MATERIAL: POLYCARBONATE
- PRODUCT WEIGHT: 0.3 LBS (0.14 Kg)

4-22 AWG WIRES
 RED - POSITIVE(+)
 BLACK - NEGATIVE(-)
 YELLOW - SYNC
 BLUE - FLASH PATTERN(-)

FG PRODUCT CHART				
FG P/N	COLOR	CURRENT (PEAK)	POWER (PEAK)	CA T13
3811A	AMBER	0.3	4.3	X
3811B	BLUE	0.4	4.9	X
3811C	CLEAR	0.4	4.9	-
3811R	RED	0.3	4.3	X



- NOTES:
 1. ROHS COMPLIANT
 2. DIMENSIONS IN INCHES[MILLIMETERS (FOR REFERENCE)]

SCALE 1:2.1		APPROVALS	DATE
CAD GENERATED DRAWING DO NOT MANUALLY UPDATE. MODEL REFERENCED: A		DRAWN BY ABD	2018-08-08
TOLERANCES ARE IN INCHES, AND MILLIMETERS TOLERANCES UNLESS OTHERWISE STATED ARE:		CHECKED ABB	2018-08-09
MILLIMETERS DECIMALS XX. ± 1.0mm XX.X ± 0.5mm	INCHES DECIMALS X.X ± 0.1 X.XX ± 0.04 X.XXX ± 0.02	MECH. ENG. NMT	2018-08-13
	ANGLES ± 0.5° FRACTIONS ± 1/64	ELEC. ENG. GCJ	2018-08-08
		TEST ENG. JRT	2018-08-09
		SALES. BPL	2018-08-28

ECCO® www.eccolink.com
 Americas (800) 635-5900 | Europe +44 (0)113 237 5340 | Asia Pacific +61 (0)3 63322444

LED HEAD, RECTANGLE, 12-24V

CUSTOMER PART NO. SEE CHART		PRODUCT SERIES: 3800	
SIZE: A	DWG. NO. 3811X	REV. C	
Electronically Controlled Use Latest Copy		SHEET 1 OF 1	Project: LM11233 Date Created: 2013-02-14

PROPRIETARY AND CONFIDENTIAL INFORMATION
 THIS DRAWING AND THE DESIGN AND OTHER INFORMATION DISCLOSED HEREIN ARE THE PROPERTY OF ELECTRONIC CONTROLS COMPANY AND/OR ITS ECCO SAFETY GROUP AFFILIATES ("ECCO") AND IS ISSUED IN CONFIDENCE TO RECIPIENT FOR ENGINEERING INFORMATION PURPOSES ONLY. THIS DRAWING AND THE DESIGN AND OTHER INFORMATION DISCLOSED HEREIN MAY NOT BE USED, COPIED, REPRODUCED OR OTHERWISE DISCLOSED IN PART OR IN WHOLE TO THIRD PARTIES OR USED FOR ANY OTHER PURPOSE WITHOUT PRIOR ECCO WRITTEN CONSENT. ECCO RESERVES ALL PATENT, COPYRIGHT, TRADEMARK AND OTHER PROPRIETARY RIGHTS TO THIS DOCUMENT, INCLUDING ALL DESIGN, MANUFACTURING, REPRODUCTION, USE AND SALES RIGHTS THERETO. THIS DRAWING IS SUBJECT TO RECALL BY ECCO AT ANY TIME, AND YOUR POSSESSION AND/OR USE CONSTITUTES ACCEPTANCE OF THESE TERMS. ©2013 ELECTRONIC CONTROLS COMPANY