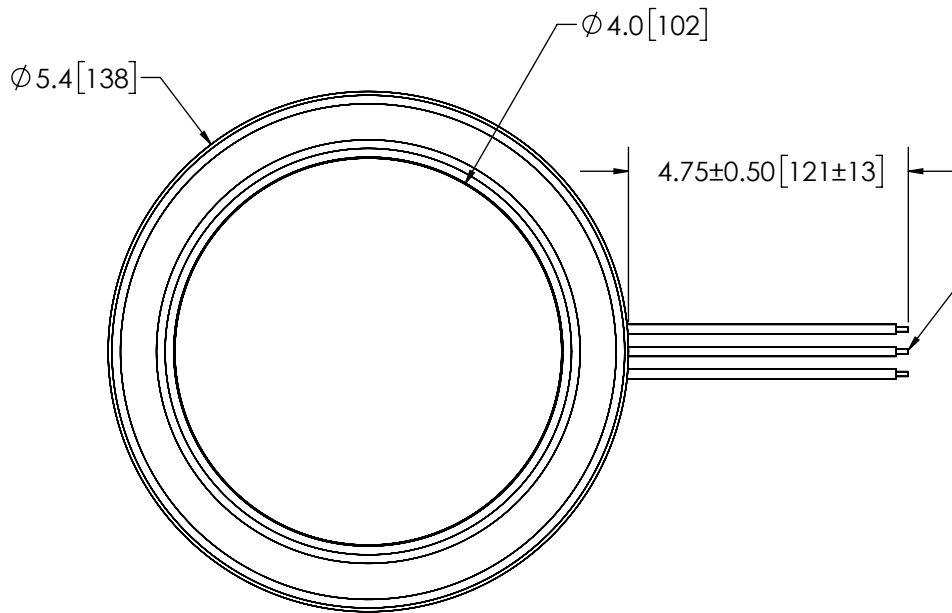
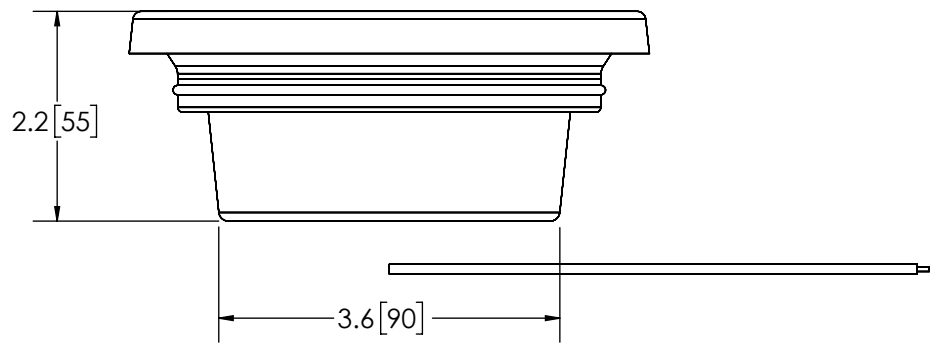


| REVISION HISTORY | | |
|------------------|-----------------------------|------------|
| REV. | DESCRIPTION | DATE |
| A | INITIAL RELEASE PER LM14263 | 2016-11-04 |
| B | REVISED PER EL0136 | 2019-04-16 |
| C | REVISED PER EL0136 | 2019-04-23 |



TOP VIEW



FRONT VIEW

3-18 AWG WIRES STRIPPED AND TINNED
 RED - POSITIVE (+)
 BLACK - NEGATIVE (-)
 WHITE - MOMENTARY FOR PATTERN SELECT (-)

SPECIFICATIONS

- CERTIFICATIONS: SAE J595 (MAR 2014) CLASS 2; YELLOW IP67
 Note: Unique components, accessories, and hardware kits are not typically included in the Product Certification Test Protocols. Unless otherwise Specified, the Product Certifications referred to herein are predicated upon the base product model configuration.
- FLASH MODE: SINGLE : 115 ± 5 FLASHES PER MINUTE
 SINGLE : 230 ± 5 FLASHES PER MINUTE
 DOUBLE : 155 ± 5 FLASHES PER MINUTE
- VOLTAGE (NOMINAL): 12 to 24 VDC
- VOLTAGE (EXTREME): 10 to 30 VDC
- CURRENT (PEAK): SEE CHART (@ 12 VDC NOMINAL)
- POWER (MAXIMUM): SEE CHART (@ 12 VDC NOMINAL)
- TEMPERATURE RANGE: -40°F (-40°C) TO 158°F (70°C)
- CONNECTION: 3-18 AWG WIRES
- MOUNTING: GROMMET
- BASE MATERIAL: ABS
- LENS MATERIAL: POLYCARBONATE
- PRODUCT WEIGHT: 0.44 LBS (0.2 Kg)

| FGS PRODUCT CHART | | | |
|-------------------|-------|------------------|---------------|
| FGS NO. | COLOR | CURRENT (PEAK) A | POWER (MAX) W |
| 3945A | AMBER | 0.25 | 3.1 |
| 3945B | BLUE | 0.27 | 3.5 |
| 3945C | CLEAR | 0.25 | 3.2 |
| 3945R | RED | 0.28 | 3.5 |

DISCLAIMER
 DIMENSIONS, ILLUSTRATIONS, SPECIFICATIONS, AND CERTIFICATIONS CONTAINED IN THIS DOCUMENT ARE TYPICAL OF THE ACTUAL PRODUCT AND ARE SUBJECT TO CHANGE. ECCO ENGINEERING DOES NOT MAINTAIN FORMAL DESIGN CONTROL OF THIS PRODUCT.

- NOTES:**
- ROHS COMPLIANT
 - DIMENSIONS IN INCHES[MILLIMETERS (FOR REFERENCE)]

PROPRIETARY AND CONFIDENTIAL INFORMATION
 THIS DRAWING AND THE DESIGN AND OTHER INFORMATION DISCLOSED HEREIN ARE THE PROPERTY OF ELECTRONIC CONTROLS COMPANY AND/OR ITS ECCO SAFETY GROUP AFFILIATES ("ECCO") AND IS ISSUED IN CONFIDENCE TO RECIPIENT FOR ENGINEERING INFORMATION PURPOSES ONLY. THIS DRAWING AND THE DESIGN AND OTHER INFORMATION DISCLOSED HEREIN MAY NOT BE USED, COPIED, REPRODUCED OR OTHERWISE DISCLOSED IN PART OR IN WHOLE TO THIRD PARTIES OR USED FOR ANY OTHER PURPOSE WITHOUT PRIOR ECCO WRITTEN CONSENT. ECCO RESERVES ALL PATENT, COPYRIGHT, TRADEMARK AND OTHER PROPRIETARY RIGHTS TO THIS DOCUMENT, INCLUDING ALL DESIGN, MANUFACTURING, REPRODUCTION, USE AND SALES RIGHTS THERE TO. THIS DRAWING IS SUBJECT TO RECALL BY ECCO AT ANY TIME, AND YOUR POSSESSION AND/OR USE CONSTITUTES ACCEPTANCE OF THESE TERMS. ©2016 ELECTRONIC CONTROLS COMPANY

| | | |
|--|----------------|------------|
| SCALE 1:2 | APPROVALS | DATE |
| CAD GENERATED DRAWING DO NOT MANUALLY UPDATE. MODEL REFERENCED: A+ | DRAWN BY ABD | 2019-04-17 |
| | CHECKED ABB | 2019-04-18 |
| TOLERANCES ARE IN INCHES, AND MILLIMETERS TOLERANCES UNLESS OTHERWISE STATED ARE: | MECH. ENG. NMT | 2019-04-23 |
| | ELEC. ENG. JES | 2019-04-17 |
| MILLIMETERS DECIMALS XX. ± 1.0mm XX.X ± 0.5mm | TEST ENG. JRT | 2019-04-23 |
| | SALES. MD | 2019-04-18 |
| INCHES DECIMALS X.X ± 0.1 X.XX ± 0.04 X.XXX ± 0.02 | | |
| ANGLES ± 0.5° | | |
| FRACTIONS ± 1/64 | | |
| THIRD ANGLE PROJECTION | | |

ECCO® www.eccolink.com
 Americas (800) 635-5900 | Europe +44 (0)113 237 5340 | Asia Pacific +61 (0)3 63322444

LEDFLASHER, ROUND, GROMMET MNT, 12-24V

CUSTOMER PART NO. **SEE CHART** PRODUCT SERIES: **3945**

SIZE: **A** DWG. NO. **3945X** REV. **C**

Electronically Controlled Use Latest Copy SHEET 1 OF 1 Project: EC.4004 Date Created: 2016-07-14