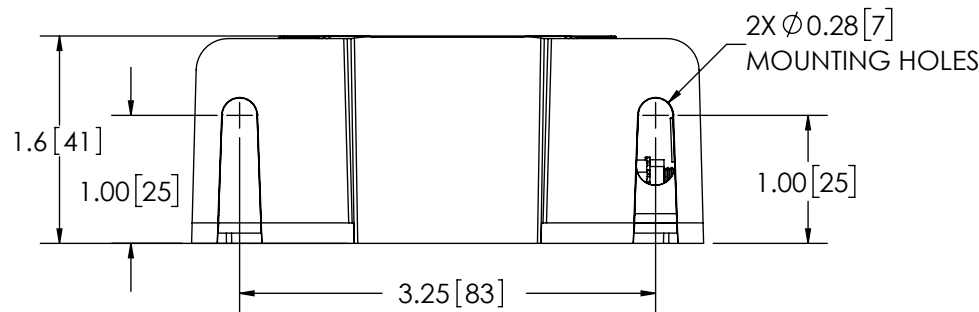
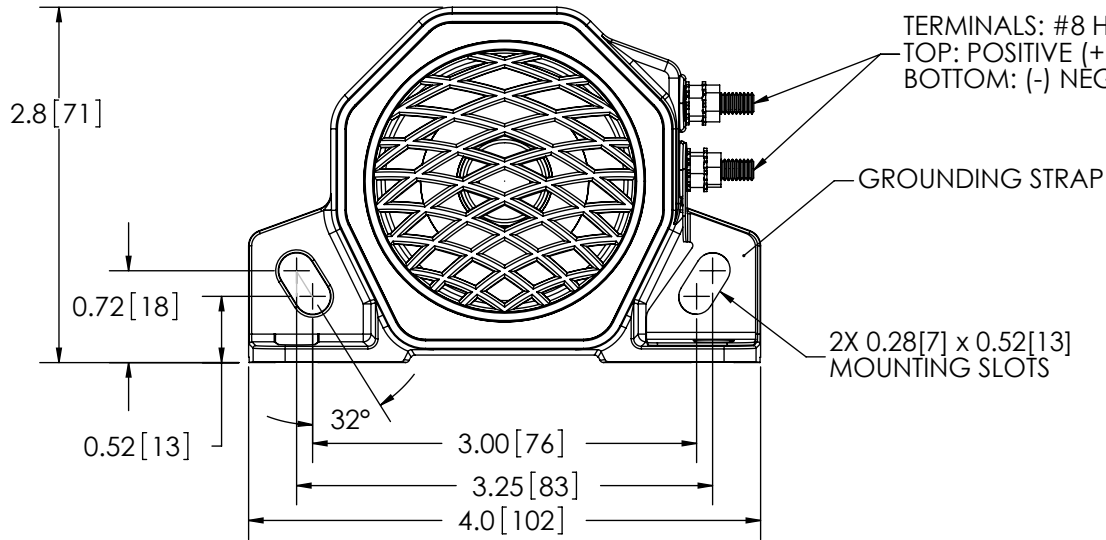



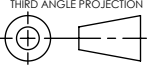
REVISION HISTORY		
REV.	DESCRIPTION	DATE
F	REVISE PER P11043	2016-06-23
G	REVISED PER EC6348	2023-05-03
H	REVISED PER EC7389	2025-02-06



SPECIFICATIONS

- CERTIFICATIONS: AMECA; J994 (SEP 2014) TYPE F; CE; UL; IP-65D; REG10; UKCA
Note: Unique components, accessories, and hardware kits are not typically included in the Product Certification Test Protocols. Unless otherwise Specified, the Product Certifications referred to herein are predicated upon the base product model configuration.
- SOUND PRESSURE LEVEL:
102 ± 4 dB (A) & 1.2m (4ft)
- VOLTAGE (NOMINAL): 12 to 24 VDC
- VOLTAGE (EXTREME): 9 to 32 VDC
- CURRENT (PEAK): 0.79 A (@ 12 VDC NOMINAL)
- POWER (MAXIMUM): 11.20 W (@ 12 VDC NOMINAL)
- TEMPERATURE RANGE: -40°C (-40°F) to 85°C (185°F)
- FREQUENCY: 700 to 2800 Hz
- CONNECTION: 8 - 32 UNI STUD CONNECTION
- RECOMMENDED MOUNTING: 1/4 - 20 UNC, GRADE 5 OR BETTER, 1/4" TYPE A, SERIES N OR W WASHER
- HOUSING MATERIAL: GLASS FILLED NYLON
- PRODUCT WEIGHT: 0.80LBS (0.36Kg)

- NOTES:
- ROHS COMPLIANT
 - DIMENSIONS IN INCHES[MILLIMETERS(FOR REFERENCE)]

SCALE 1:1.5		APPROVALS	DATE	 ECCO [®] www.eccolink.com Americas (800) 635-5900 Europe +44 (0)113 237 5340 Asia Pacific +61 (0)3 63322444
CAD GENERATED DRAWING DO NOT MANUALLY UPDATE.		DRAWN BY MDH	2025-01-21	
TOLERANCES ARE IN INCHES, AND MILLIMETERS TOLERANCES UNLESS OTHERWISE STATED ARE:		CHECKED BTK	2025-01-22	
MILLIMETERS DECIMALS XX. ± 1.0mm XX.X ± 0.5mm	INCHES DECIMALS X.X ± 0.1 X.XX ± 0.04 X.XXX ± 0.02	MECH. ENG. JLA	2025-01-21	
	ANGLES ± 0.5°	ELEC. ENG. SPO	2025-01-23	
	FRACTIONS ± 1/64	TEST ENG. JRT	2025-02-03	
THIRD ANGLE PROJECTION		SALES.		CUSTOMER PART NO. 530
		SIZE: A	DWG. NO. 530	REV. H
Electronically Controlled Use Latest Copy		SHEET 1 OF 1	Project: CR# 602	Date Created: 2000-11-21

PROPRIETARY AND CONFIDENTIAL INFORMATION

THIS DRAWING AND THE DESIGN AND OTHER INFORMATION DISCLOSED HEREIN ARE THE PROPERTY OF ELECTRONIC CONTROLS COMPANY AND/OR ITS ECCO SAFETY GROUP AFFILIATES ("ECCO") AND IS ISSUED IN CONFIDENCE TO RECIPIENT FOR ENGINEERING INFORMATION PURPOSES ONLY. THIS DRAWING AND THE DESIGN AND OTHER INFORMATION DISCLOSED HEREIN MAY NOT BE USED, COPIED, REPRODUCED OR OTHERWISE DISCLOSED IN PART OR IN WHOLE TO THIRD PARTIES OR USED FOR ANY OTHER PURPOSE WITHOUT PRIOR ECCO WRITTEN CONSENT. ECCO RESERVES ALL PATENT, COPYRIGHT, TRADEMARK AND OTHER PROPRIETARY RIGHTS TO THIS DOCUMENT, INCLUDING ALL DESIGN, MANUFACTURING, REPRODUCTION, USE AND SALES RIGHTS THERETO. THIS DRAWING IS SUBJECT TO RECALL BY ECCO AT ANY TIME, AND YOUR POSSESSION AND/OR USE CONSTITUTES ACCEPTANCE OF THESE TERMS. ©2000 ELECTRONIC CONTROLS COMPANY