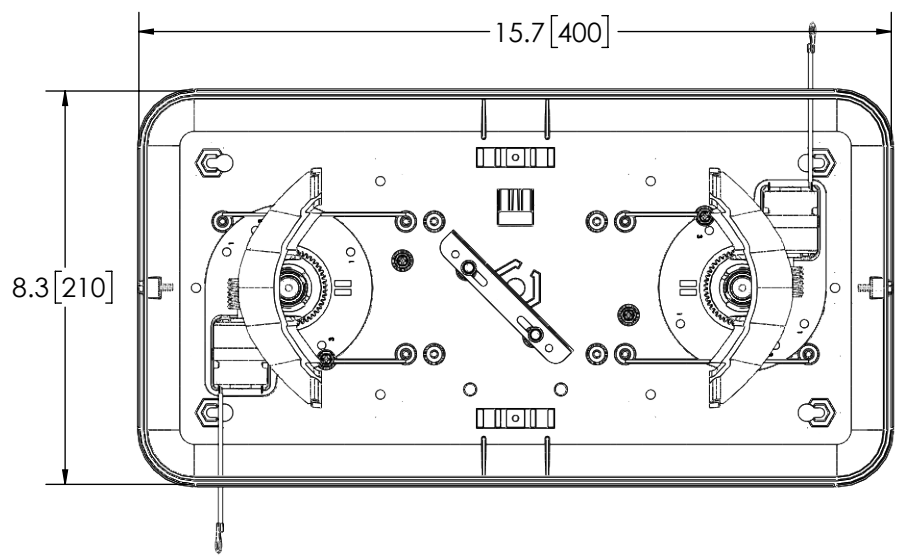


8 7 6 5 4 3 2 1



TOP VIEW



FRONT VIEW

2-16 AWG WIRES
 LENGTH: 140[3556] ±0.5[13]
 RED: POSITIVE (+)
 BLACK: NEGATIVE (-)

REVISION HISTORY		
REV.	DESCRIPTION	DATE
A	INITIAL RELEASE PER P3 97083	1998-01-26
B	UPDATE PER CR 1282	2002-12-31

LENS CHART	
PRODUCT P/N	COLOR
5315A	AMBER
5315C	CLEAR
5315R	RED
5315G	GREEN
5315B	BLUE

SPECIFICATIONS

1. CERTIFICATIONS: SAE J845 (May 97), CLASS 1 FOR AMBER, BLUE, CLEAR, AND RED COLORS; CA TITLE 13 FOR AMBER AND RED COLORS.
2. FLASH MODE: SINGLE: 300 FLASHES PER MINUTE NOM.
3. VOLTAGE (NOMINAL): 12 VDC
4. VOLTAGE (EXTREME): 9.0 – 16.0 VDC
5. CURRENT (NOMINAL): 8.6 A
6. POWER (NOMINAL): 100 W
7. TEMPERATURE RANGE: -22°F(- 30°C) TO 122°F(50°C)
8. CONNECTION: 2 – 16 AWG WIRES
9. MOUNTING: 4 BOLTS (1/4" – 20 OR M5)
10. BASE MATERIAL: POLYCARBONATE, BLACK
11. LENS MATERIAL: POLYCARBONATE
12. PRODUCT WEIGHT: 3.5 LBS [1591 grams]

NOTES:
 1. DIMENSIONS IN INCHES [MILLIMETERS(FOR REFERENCE)]

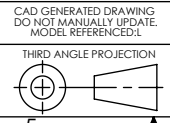
APPROVALS		DATE
DRAWN BY	BND	
CHECKED		
ELEC. ENG.		
MECH. ENG.		
TEST ENG.		
SALES		

ECCO Electronic Controls Co.
 An Employee Owned Company
 800-635-5900 P.O.BOX 7246,BOISE,ID 83707

LIGHT BAR, 15", 12 VDC, 405 FPM

Project: CR 1282		Date Created: 2002-12-31
SIZE	DWG. NO.	REV.
A	5315X	B
SCALE 1:4	PREPARED PER ASME 14.100M-1998 / ASME Y14.1-1995	SHEET 1 OF 1

NON DISCLOSURE AGREEMENT
 THIS DRAWING AND THE DESIGN IT DISCLOSES ARE THE PRIVATE PROPERTY OF ECCO AND IS ISSUED IN CONFIDENCE FOR ENGINEERING INFORMATION ONLY. THE DRAWING AND / OR DESIGN MAY NOT BE USED, COPIED, REPRODUCED, OR OTHERWISE DISCLOSED IN PART OR AS A WHOLE TO OUTSIDERS OR USED FOR ANY OTHER PURPOSE WITHOUT THE PRIOR WRITTEN CONSENT OF ECCO. THE DRAWING IS SUBJECT TO RECALL AT ANY TIME. YOUR POSSESSION OF THIS DOCUMENT CONSTITUTES ACCEPTANCE OF THESE TERMS. © 2002 ECCO



8 7 6 5 4 3 2 1