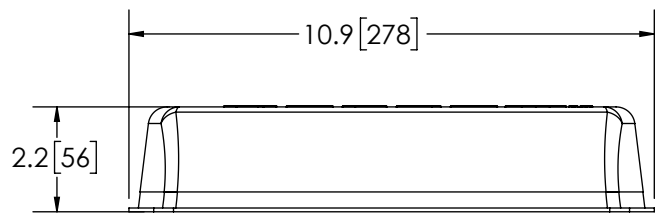
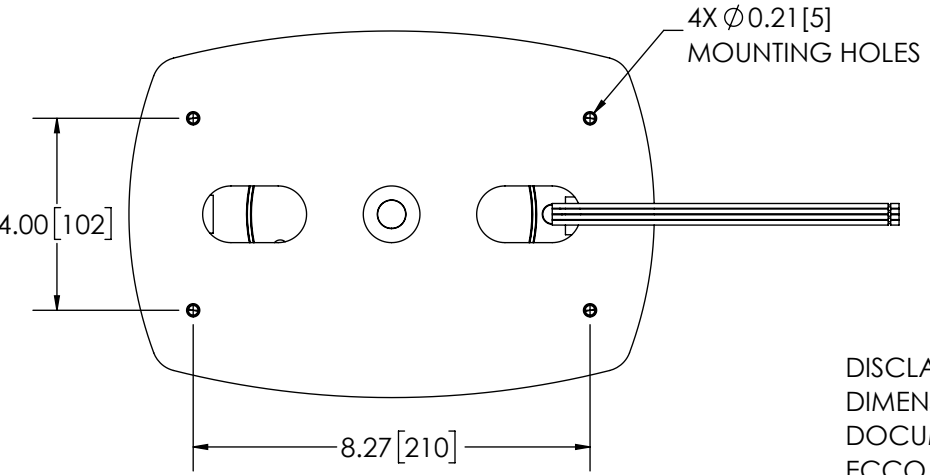


TOP VIEW



FRONT VIEW



BOTTOM VIEW

10.50 ± 0.50 [267 ± 13]

4-16 AWG WIRES
 RED - POSITIVE (+)
 BLACK - NEGATIVE (-)
 BLUE - FLASH PATTERN SELECT (-)
 YELLOW - SYNC

COLOR CHART	
FG P/N	COLOR
5550A	AMBER

REVISION HISTORY		
REV.	DESCRIPTION	DATE
B	REVISE PER EL0056	2017-09-18
C	REVISE PER EL0086	2018-03-26
D	REVISE PER EL0086	2018-08-27

SPECIFICATIONS

- CERTIFICATIONS: ECE R10; AMECA/SAE J845 (JUN 2013) CLASS 1A; YELLOW; CA Title 13 CLASS E; ; Reg 65 CertE4-TA1-006639; IP6K5
 Note: Unique components, accessories, and hardware kits are not typically included in the Product Certification Test Protocols. Unless otherwise Specified, the Product Certifications referred to herein are predicated upon the base product model configuration.
- FLASH MODE: SINGLE : 75 ± 5 FLASHES PER MINUTE
 SINGLE : 120 ± 5 FLASHES PER MINUTE
 DOUBLE : 75 ± 5 FLASHES PER MINUTE
- VOLTAGE (NOMINAL): 12-24 VDC
- VOLTAGE (EXTREME): 9-32 VDC
- CURRENT (PEAK): 3.42A (@ 12 VDC NOMINAL)
- POWER (MAXIMUM): 43.8W (@ 12 VDC NOMINAL)
- TEMPERATURE RANGE: -22°F (-30°C) TO 122°F (50°C)
- CONNECTION: 4-16 AWG WIRES
- MOUNTING: 4 BOLT MOUNT KIT
- BASE MATERIAL: POLYCARBONATE
- LENS MATERIAL: POLYCARBONATE
- PRODUCT WEIGHT: 2.0 LBS (0.9 Kg)

DISCLAIMER
 DIMENSIONS, ILLUSTRATIONS, SPECIFICATIONS, AND CERTIFICATIONS CONTAINED IN THIS DOCUMENT ARE TYPICAL OF THE ACTUAL PRODUCT AND ARE SUBJECT TO CHANGE. ECCO ENGINEERING DOES NOT MAINTAIN FORMAL DESIGN CONTROL OF THIS PRODUCT.

- NOTES:**
- ROHS COMPLIANT
 - DIMENSIONS IN INCHES[MILLIMETERS (FOR REFERENCE)]

SCALE 1:4	APPROVALS	DATE	ECCO ® www.eccolink.com Americas (800) 635-5900 Europe +44 (0)113 237 5340 Asia Pacific +61 (0)3 63322444 LED MICROBAR, 11", 12-24V, PERM, CLASS I	
CAD GENERATED DRAWING DO NOT MANUALLY UPDATE. MODEL REFERENCED: A	DRAWN BY ABD	2018-07-25		
	CHECKED ABB	2018-07-26		
	MECH. ENG. JLA	2018-07-25		
TOLERANCES ARE IN INCHES, AND MILLIMETERS TOLERANCES UNLESS OTHERWISE STATED ARE:	ELEC. ENG. JES	2018-08-01	CUSTOMER PART NO. SEE CHART	
MILLIMETERS DECIMALS XX. ± 1.0mm XX.X ± 0.5mm	TEST ENG. JRT	2018-07-27		PRODUCT SERIES: 5500
INCHES DECIMALS X.X ± 0.1 X.XX ± 0.04 X.XXX ± 0.02	SALES. ARS	2018-07-26		SIZE: A DWG. NO. 5550X
THIRD ANGLE PROJECTION 	Electronically Controlled Use Latest Copy		REV. D	
		SHEET 1 OF 1	Project: EL0056 Date Created: 2016-11-08	

THIS DRAWING AND THE DESIGN IT DISCLOSES ARE THE PRIVATE PROPERTY OF ELECTRONIC CONTROLS CO. AND IS ISSUED IN CONFIDENCE FOR ENGINEERING INFORMATION ONLY. THE DRAWING AND / OR DESIGN MAY NOT BE USED, COPIED, REPRODUCED, OR OTHERWISE DISCLOSED IN PART OR AS A WHOLE TO OUTSIDERS OR USED FOR ANY OTHER PURPOSE WITHOUT THE PRIOR WRITTEN CONSENT OF ELECTRONIC CONTROLS CO. THE DRAWING IS SUBJECT TO RECALL AT ANY TIME. YOUR POSSESSION OF THIS DOCUMENT CONSTITUTES ACCEPTANCE OF THESE TERMS. © 2016 ELECTRONIC CONTROLS CO.