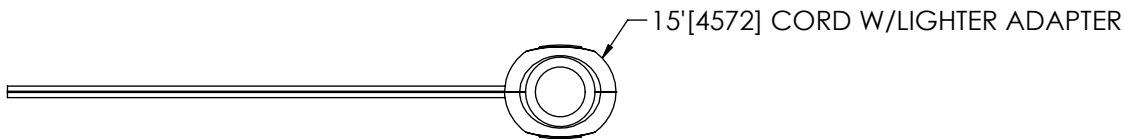
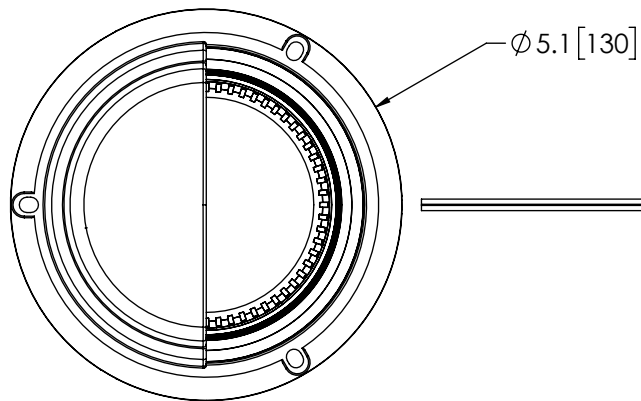
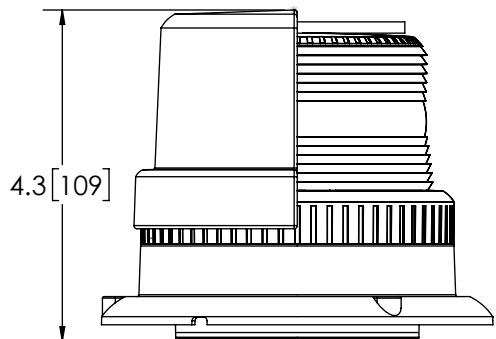


REVISION HISTORY		
REV.	DESCRIPTION	DATE
F	REVISE PER EC3262	2013-01-21
G	REVISE PER EC4110	2016-02-03
H	REVISE PER EC4573	2017-07-06



SPECIFICATIONS

- CERTIFICATIONS: **CE**; ECE R10;
 Note: Unique components, accessories, and hardware kits are not typically Included in the Product Certification Test Protocols. Unless otherwise Specified, the Product Certifications referred to herein are predicated upon the base product model configuration.
- FLASH MODE: SINGLE : 70 ± 5 FLASHES PER MINUTE
- VOLTAGE (NOMINAL): 12-24 VDC
- VOLTAGE (EXTREME): 9-32 VDC
- CURRENT (PEAK): 0.3A (@ 12 VDC NOMINAL)
- POWER (MAXIMUM): 6.8W (@ 12 VDC NOMINAL)
- TEMPERATURE RANGE: -22°F (-30°C) TO 122°F (50°C)
- CONNECTION: 2 CONDUCTOR CABLE W/LIGHTER ADAPTER
- MOUNTING: MAGNET MOUNT
- BASE MATERIAL: GLASS REINFORCED NYLON
- LENS MATERIAL: POLYCARBONATE
- PRODUCT WEIGHT: 1.6 LBS (0.72 Kg)



COLOR CHART	
FGS P/N	COLOR
6410A-MG	AMBER
6410B-MG	BLUE
6410C-MG	CLEAR
6410G-MG	GREEN
6410R-MG	RED

NOTES:
 1. DIMENSIONS IN INCHES [MILLIMETERS (FOR REFERENCE)]

SCALE 1:2.5		APPROVALS	DATE
CAD GENERATED DRAWING DO NOT MANUALLY UPDATE. MODEL REFERENCED: E		DRAWN BY	2017-06-28
		CHECKED MDH	2017-06-29
TOLERANCES ARE IN INCHES, AND MILLIMETERS TOLERANCES UNLESS OTHERWISE STATED ARE:		MECH. ENG. NMT	2017-06-29
		ELEC. ENG. JES	2017-06-28
MILLIMETERS DECIMALS XX. ± 1.0mm XX.X ± 0.5mm		TEST ENG. JRT	2017-06-28
		SALES. ARS	2017-07-05
INCHES DECIMALS X.X ± 0.1 X.XX ± 0.04 X.XXX ± 0.02		FRACTIONS ± 1/64	
THIRD ANGLE PROJECTION			
THIS DRAWING AND THE DESIGN IT DISCLOSES ARE THE PRIVATE PROPERTY OF ELECTRONIC CONTROLS CO. AND IS ISSUED IN CONFIDENCE FOR ENGINEERING INFORMATION ONLY. THE DRAWING AND / OR DESIGN MAY NOT BE USED, COPIED, REPRODUCED, OR OTHERWISE DISCLOSED IN PART OR AS A WHOLE TO OUTSIDERS OR USED FOR ANY OTHER PURPOSE WITHOUT THE PRIOR WRITTEN CONSENT OF ELECTRONIC CONTROLS CO. THE DRAWING IS SUBJECT TO RECALL AT ANY TIME. YOUR POSSESSION OF THIS DOCUMENT CONSTITUTES ACCEPTANCE OF THESE TERMS. © 2002 ELECTRONIC CONTROLS CO.		ECCO ® www.eccolink.com Americas (800) 635-5900 Europe +44 (0)113 237 5340 Asia Pacific +61 (0)3 63322444	
NON DISCLOSURE AGREEMENT		STROBE,360*,AMB,12-24V,1.5J,RPLC 'U',MAG CUSTOMER PART NO. SEE CHART PRODUCT SERIES: 6400	
SIZE: A SHEET 1 OF 1		DWG. NO. 6410X-MG Project: 1242 Date Created: 2002-10-24	
Electronically Controlled Use Latest Copy		REV. H	