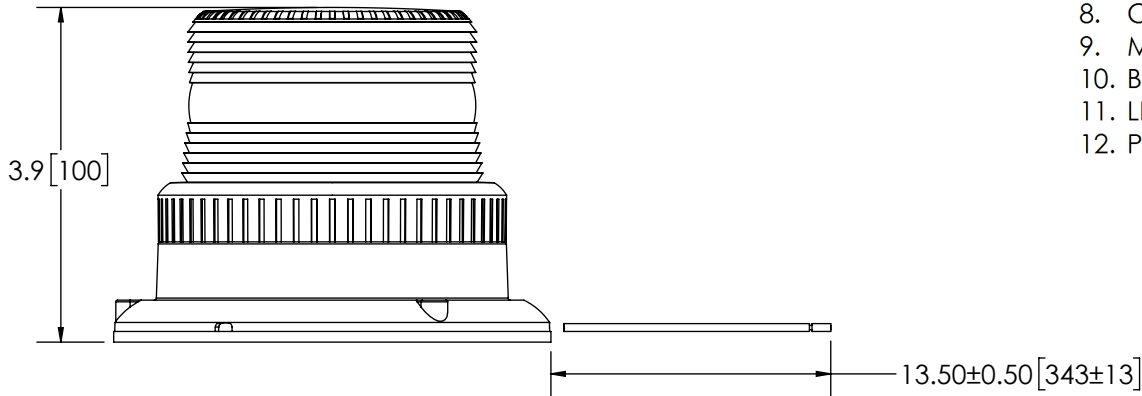
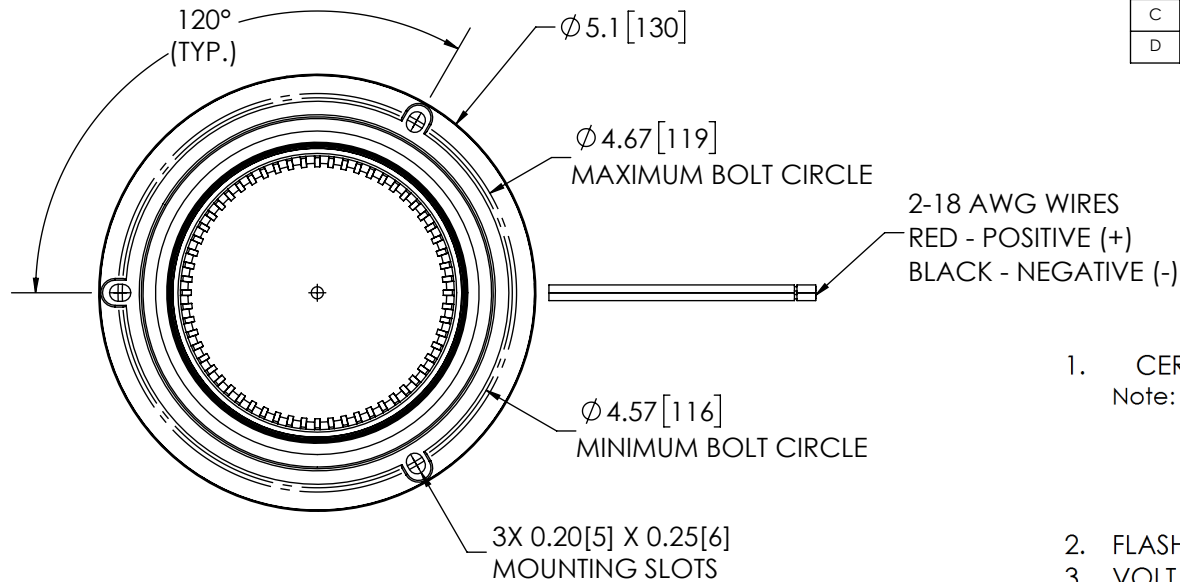


REVISION HISTORY		
REV.	DESCRIPTION	DATE
B	REVISE PER P10015	2014-07-02
C	REVISE PER P10015	2015-04-06
D	REVISE PER EP0026	2018-08-08



SPECIFICATIONS

- CERTIFICATIONS: **CE**; **UL**; ECE R10; SAE SEE CHART; ;
Note: Unique components, accessories, and hardware kits are not typically included in the Product Certification Test Protocols. Unless otherwise Specified, the Product Certifications referred to herein are predicated upon the base product model configuration.
- FLASH MODE: PULSE8 : 80 ± 5 FLASHES PER MINUTE
- VOLTAGE (NOMINAL): 12-80 VDC
- VOLTAGE (EXTREME): 9-94 VDC
- CURRENT (PEAK): 0.1A (@ 12 VDC NOMINAL)
- POWER (MAXIMUM): 1.3W (@ 12 VDC NOMINAL)
- TEMPERATURE RANGE: -22°F (-30°C) TO 122°F (50°C)
- CONNECTION: 2-18 AWG WIRES
- MOUNTING: 3 BOLT FLANGE MOUNT
- BASE MATERIAL: GLASS FILLED NYLON
- LENS MATERIAL: POLYCARBONATE
- PRODUCT WEIGHT: 0.5 LBS (0.23 Kg)

FG PRODUCT CHART		
FG P/N	COLOR	SAE J845
6465A	AMBER	CLASS 3
6465B	BLUE	N/A
6465C	CLEAR	CLASS 3
6465G	GREEN	N/A
6465R	RED	CLASS 3

- NOTES:
- ROHS COMPLIANT
 - DIMENSIONS IN INCHES [MILLIMETERS (FOR REFERENCE)]

SCALE 1:2.25		APPROVALS	DATE
CAD GENERATED DRAWING DO NOT MANUALLY UPDATE. MODEL REFERENCED: B		DRAWN BY ABD	2018-05-01
		CHECKED ABB	2018-05-02
TOLERANCES ARE IN INCHES, AND MILLIMETERS TOLERANCES UNLESS OTHERWISE STATED ARE:		MECH. ENG. JLA	2018-05-01
		ELEC. ENG. GCJ	2018-05-02
MILLIMETERS DECIMALS XX ± 1.0mm XX.X ± 0.5mm	INCHES DECIMALS X.X ± 0.1 X.XX ± 0.04 X.XXX ± 0.02	ANGLES ± 0.5°	
		FRACTIONS ± 1/64	
		TEST ENG. JRT	2018-05-02
		SALES. ARS	2018-05-02
THIRD ANGLE PROJECTION			

ECCO® www.eccolink.com
Americas (800) 635-5900 | Europe +44 (0)113 237 5340 | Asia Pacific +61 (0)3 63322444

LED BEACON, 360°, 12-80 VDC

CUSTOMER PART NO. **SEE CHART** PRODUCT SERIES: **6400**

SIZE: **A** DWG. NO. **6465X** REV. **D**

Electronically Controlled Use Latest Copy SHEET 1 OF 1 Project: P10015 Date Created: 2012-07-16