

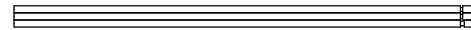
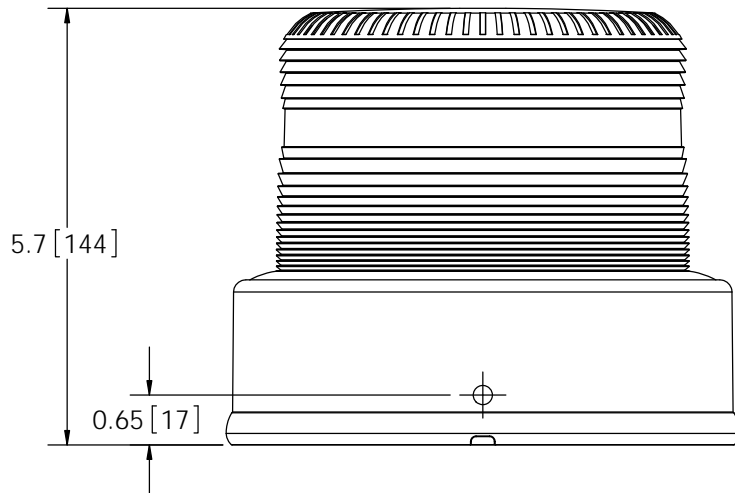
3-16 AWG WIRES
 RED: POSITIVE(+)
 BLK: NEGATIVE(-)
 WHT: SINGLE/DUAL

REVISION HISTORY		
REV.	DESCRIPTION	DATE
C	CORRECTED SPELLING ERRORS ON NOTES PER CR# 1138	2002-06-18
D	CORRECTED SPECIFICATIONS PER CR# 1636	2004-10-19
E	REVISED PER EC3010	2010-12-01


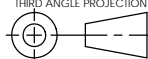
LENS CHART	
PRODUCT P/N	LENS COLOR
6520A	AMBER
6520B	BLUE
6520C	CLEAR
6520G	GREEN
6520R	RED

SPECIFICATIONS

- CERTIFICATIONS: **CE**; AMECA/SAE J1318 (MAY 1998), CLASS 2, YELLOW (AMBER) BLUE WHITE (CLEAR) RED COLORS;
 Note: Unique components, accessories, and hardware kits are not typically Included in the Product Certification Test Protocols. Unless otherwise Specified, the Product Certifications referred to herein are predicated upon the base product model configuration.
- FLASH MODE: DOUBLE : 80 ± 5 FLASHES PER MINUTE
 SINGLE : 80 ± 5 FLASHES PER MINUTE
 : ± 5 FLASHES PER MINUTE
- VOLTAGE (NOMINAL): 12 to 48 VDC
- VOLTAGE (EXTREME): 9.0 to 56.0 VDC
- CURRENT (PEAK): 2.160A (@ 12 VDC NOMINAL)
- POWER (MAXIMUM): 27.648W (@ 12 VDC NOMINAL)
- TEMPERATURE RANGE: -22°F (-30°C) TO 122°F (50°C)
- CONNECTION: 3-16 AWG. WIRES
- MOUNTING: "J" BOLT
- BASE MATERIAL: ALUMINUM
- LENS MATERIAL: POLYCARBONATE
- PRODUCT WEIGHT: 2.2 LBS (0.99 Kg)



NOTES:
 1. DIMENSIONS IN INCHES[MILLIMETERS (FOR REFERENCE)]

SCALE 1:2.5		APPROVALS	DATE	 Electronic Controls Co. 833 West Diamond Street, Boise, ID 83705 800-635-5900 www.eccolink.com	
CAD GENERATED DRAWING DO NOT MANUALLY UPDATE. MODEL REFERENCED: C		DRAWN BY BND			
TOLERANCES ARE IN INCHES, AND MILLIMETERS TOLERANCES ARE:		CHECKED			
		MECH. ENG.			
MILLIMETERS DECIMALS XX ± 1.0mm XX.X ± 0.5mm	INCHES DECIMALS XX ± 0.1 XXX ± 0.04 XXXX ± 0.02	ANGLES ± 0.5°	ELEC. ENG.	STROBE, 360*, J-BOLT, AMBER, 12-48VDC, 5/7J CUSTOMER PART NO. SEE CHART	
		FRACTIONS ± 1/64	TEST ENG.		PRODUCT SERIES: 6500
			SALES.		
THIRD ANGLE PROJECTION				SIZE: A DWG. NO. 6520X REV. E SHEET 1 OF 1 Project: 99010 Date Created: 1999-07-26	

THIS DRAWING AND THE DESIGN IT DISCLOSES ARE THE PRIVATE PROPERTY OF ECCO AND IS ISSUED IN CONFIDENCE FOR ENGINEERING INFORMATION ONLY. THE DRAWING AND / OR DESIGN MAY NOT BE USED, COPIED, REPRODUCED, OR OTHERWISE DISCLOSED IN PART OR AS A WHOLE TO OUTSIDERS OR USED FOR ANY OTHER PURPOSE WITHOUT THE PRIOR WRITTEN CONSENT OF ECCO. THE DRAWING IS SUBJECT TO RECALL AT ANY TIME. YOUR POSSESSION OF THIS DOCUMENT CONSTITUTES ACCEPTANCE OF THESE TERMS. © 2004 ECCO