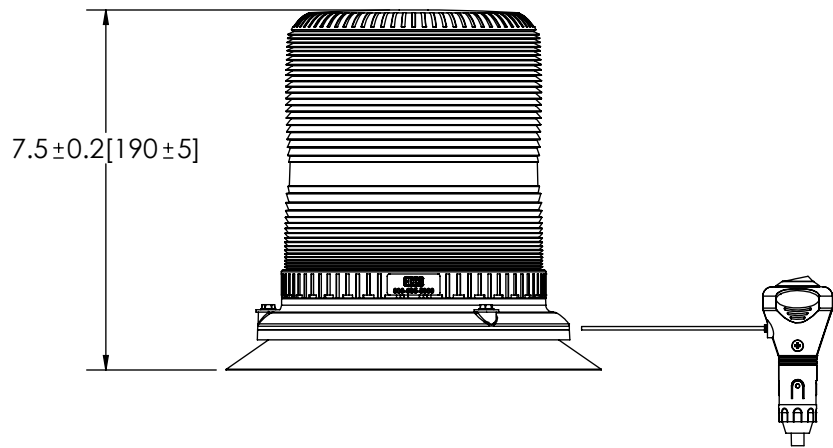
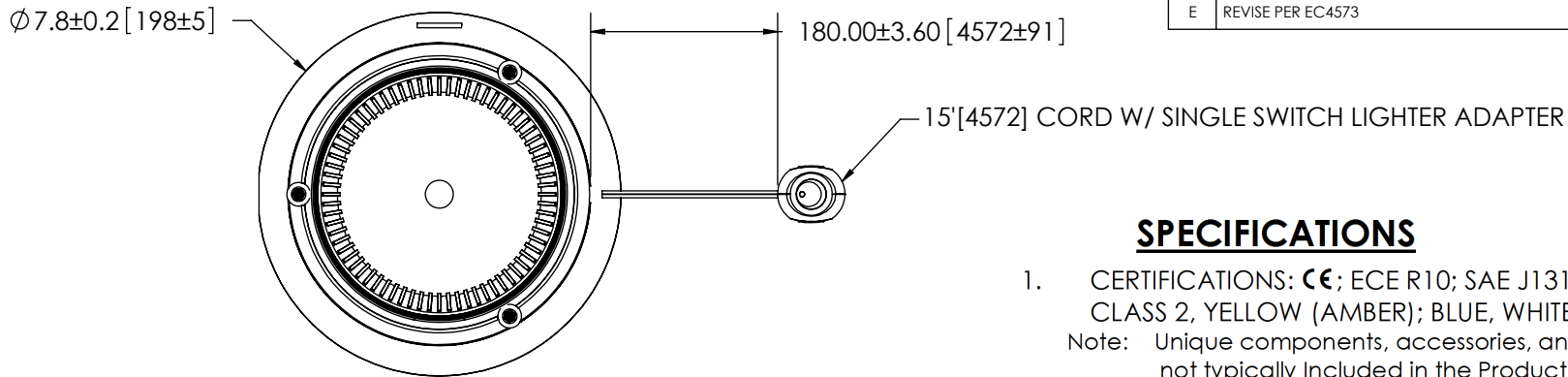


REVISION HISTORY		
REV.	DESCRIPTION	DATE
C	CORRECTED SPECIFICATIONS PER CR# 1636	2004-10-15
D	CHANGED POWER CABLE PER P3# 08025	2008-10-01
E	REVISE PER EC4573	2017-06-29



SPECIFICATIONS

- CERTIFICATIONS: **CE**; ECE R10; SAE J1318 (MAY 1998), CLASS 2, YELLOW (AMBER); BLUE, WHITE(CLEAR)
 Note: Unique components, accessories, and hardware kits are not typically included in the Product Certification Test Protocols. Unless otherwise Specified, the Product Certifications referred to herein are predicated upon the base product model configuration.
- FLASH MODE: DOUBLE : 80 ± 5 FLASHES PER MINUTE
- VOLTAGE (NOMINAL): 12-24 VDC
- VOLTAGE (EXTREME): 9-32 VDC
- CURRENT (PEAK): 2.4A (@ 12 VDC NOMINAL)
- POWER (MAXIMUM): 30.0W (@ 12 VDC NOMINAL)
- TEMPERATURE RANGE: -22°F (-30°C) TO 122°F (50°C)
- CONNECTION: ZIP CORD W/LIGHTER ADAPTER
- MOUNTING: VACUUM MAGNET
- BASE MATERIAL: REINFORCED POLYPROPYLENE
- LENS MATERIAL: POLYCARBONATE
- PRODUCT WEIGHT: 2.3 LBS (1.04 Kg)

PRODUCT P/N	COLOR
6570A-VM	AMBER
6570B-VM	BLUE
6570C-VM	CLEAR

NOTES
 1. DIMENSIONS IN INCHES[MILLIMETERS(FOR REFERENCE)]

SCALE 1:4		APPROVALS	DATE
CAD GENERATED DRAWING DO NOT MANUALLY UPDATE. MODEL REFERENCED: G		DRAWN BY	2017-06-27
		CHECKED ABB	2017-06-28
TOLERANCES ARE IN INCHES, AND MILLIMETERS TOLERANCES UNLESS OTHERWISE STATED ARE:		MECH. ENG. NMT	2017-06-29
		ELEC. ENG. SPO	2017-06-27
MILLIMETERS DECIMALS XX. ± 1.0mm XX.X ± 0.5mm		TEST ENG. JRT	2017-06-28
		SALES. ARS	2017-06-27
INCHES DECIMALS X.X ± 0.1 X.XX ± 0.04 X.XXX ± 0.02		THIRD ANGLE PROJECTION	
ANGLES ± 0.5°		FRACTIONS ± 1/64	

STROBE, 12-24VDC, 7JLS, DF, VAC MOUNT		CUSTOMER PART NO. SEE CHART		PRODUCT SERIES: 6500
SIZE: A	DWG. NO. 6570X-VM	REV. E		
Electronically Controlled Use Latest Copy		SHEET 1 OF 1	Project: 98003	Date Created: 1999-04-30

NON DISCLOSURE AGREEMENT
 THIS DRAWING AND THE DESIGN IT DISCLOSES ARE THE PRIVATE PROPERTY OF ELECTRONIC CONTROLS CO. AND IS ISSUED IN CONFIDENCE FOR ENGINEERING INFORMATION ONLY. THE DRAWING AND / OR DESIGN MAY NOT BE USED, COPIED, REPRODUCED, OR OTHERWISE DISCLOSED IN PART OR AS A WHOLE TO OUTSIDERS OR USED FOR ANY OTHER PURPOSE WITHOUT THE PRIOR WRITTEN CONSENT OF ELECTRONIC CONTROLS CO. THE DRAWING IS SUBJECT TO RECALL AT ANY TIME. YOUR POSSESSION OF THIS DOCUMENT CONSTITUTES ACCEPTANCE OF THESE TERMS. © 1999 ELECTRONIC CONTROLS CO.