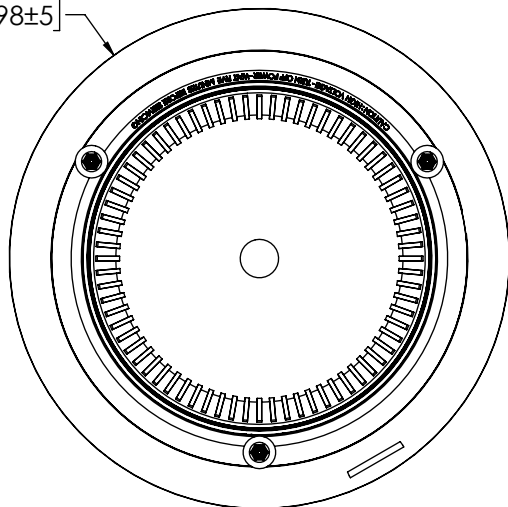


Ø 7.8±0.2 [198±5]



180.00±3.60 [4572±91]



15'[4572] CORD W/ SINGLE SWITCH LIGHTER ADAPTER

REVISION HISTORY		
REV.	DESCRIPTION	DATE
D	CHANGED POWER CABLE PER P3# 08025	2008-10-01
E	REVISE PER P13002	2014-09-18
F	REVISE PER EC4447	2017-08-01

FGS PRODUCT CHART		
FGS P/N	COLOR	SAE J1318
6950A-VM	AMBER	CLASS 1
6950C-VM	CLEAR	CLASS 1

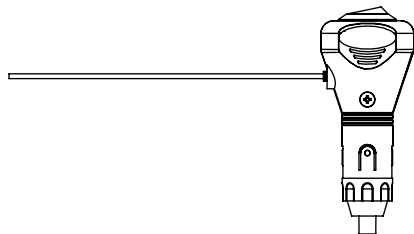
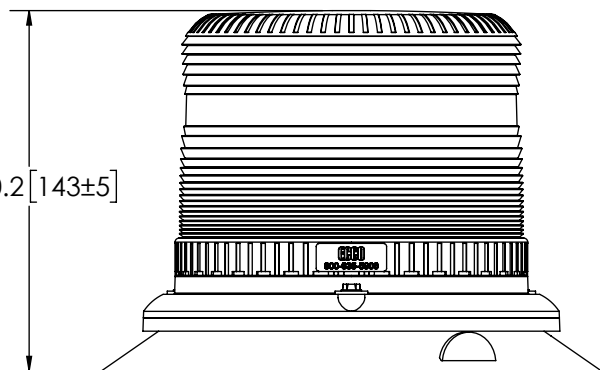
SPECIFICATIONS

- CERTIFICATIONS: **CE**; ECE R10; SAE J1318 (SEE CHART)
Rated IP-66

Note: Unique components, accessories, and hardware kits are not typically included in the Product Certification Test Protocols. Unless otherwise Specified, the Product Certifications referred to herein are predicated upon the base product model configuration.

- FLASH MODE: DOUBLE : 80 ± 5 FLASHES PER MINUTE
- VOLTAGE (NOMINAL): 12-24 VDC
- VOLTAGE (EXTREME): 10-32 VDC
- CURRENT (PEAK): 3.94A (@ 12 VDC NOMINAL)
- POWER (MAXIMUM): 50.4W (@ 12 VDC NOMINAL)
- TEMPERATURE RANGE: -22°F (-30°C) TO 122°F (50°C)
- CONNECTION: ZIP CORD W/LIGHTER ADAPTER
- MOUNTING: FLANGE MOUNT, PIPE MOUNT
- BASE MATERIAL: ALUMINUM
- LENS MATERIAL: POLYCARBONATE
- PRODUCT WEIGHT: 2.2 LBS (0.99 Kg)

5.6±0.2 [143±5]



- NOTES:
1. DIMENSIONS IN INCHES [MILLIMETERS (FOR REFERENCE)]

SCALE 1:3		APPROVALS	DATE
CAD GENERATED DRAWING DO NOT MANUALLY UPDATE. MODEL REFERENCED: F		DRAWN BY	2017-07-06
		CHECKED MDH	2017-07-07
TOLERANCES ARE IN INCHES, AND MILLIMETERS TOLERANCES UNLESS OTHERWISE STATED ARE:		MECH. ENG. KLR	2017-07-06
		ELEC. ENG. JES	2017-07-21
MILLIMETERS DECIMALS XX. ± 1.0mm XX.X ± 0.5mm		TEST ENG. JRT	2017-07-11
INCHES DECIMALS X.X ± 0.1 X.XX ± 0.04 X.XXX ± 0.02		SALES. ARS	2017-07-11
ANGLES ± 0.5°			
FRACTIONS ± 1/64			



STROBE, 360*, 12-24V, DF, HIGH INT, VAC

CUSTOMER PART NO. SEE CHART		PRODUCT SERIES: 6900	
SIZE: A	DWG. NO. 6950X-VM	REV. F	
Electronically Controlled Use Latest Copy		SHEET 1 OF 1	Project: 99071 Date Created: 2001-04-26

THIS DRAWING AND THE DESIGN IT DISCLOSES ARE THE PRIVATE PROPERTY OF ELECTRONIC CONTROLS CO. AND IS ISSUED IN CONFIDENCE FOR ENGINEERING INFORMATION ONLY. THE DRAWING AND / OR DESIGN MAY NOT BE USED, COPIED, REPRODUCED, OR OTHERWISE DISCLOSED IN PART OR AS A WHOLE TO OUTSIDERS OR USED FOR ANY OTHER PURPOSE WITHOUT THE PRIOR WRITTEN CONSENT OF ELECTRONIC CONTROLS CO. THE DRAWING IS SUBJECT TO RECALL AT ANY TIME. YOUR POSSESSION OF THIS DOCUMENT CONSTITUTES ACCEPTANCE OF THESE TERMS. © 2001 ELECTRONIC CONTROLS CO.

