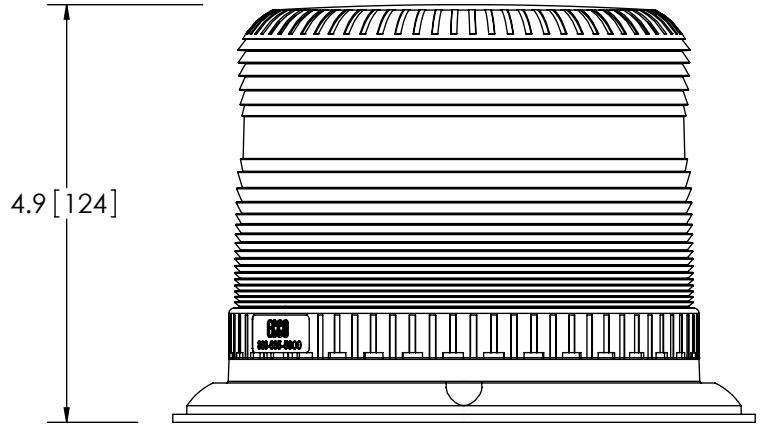
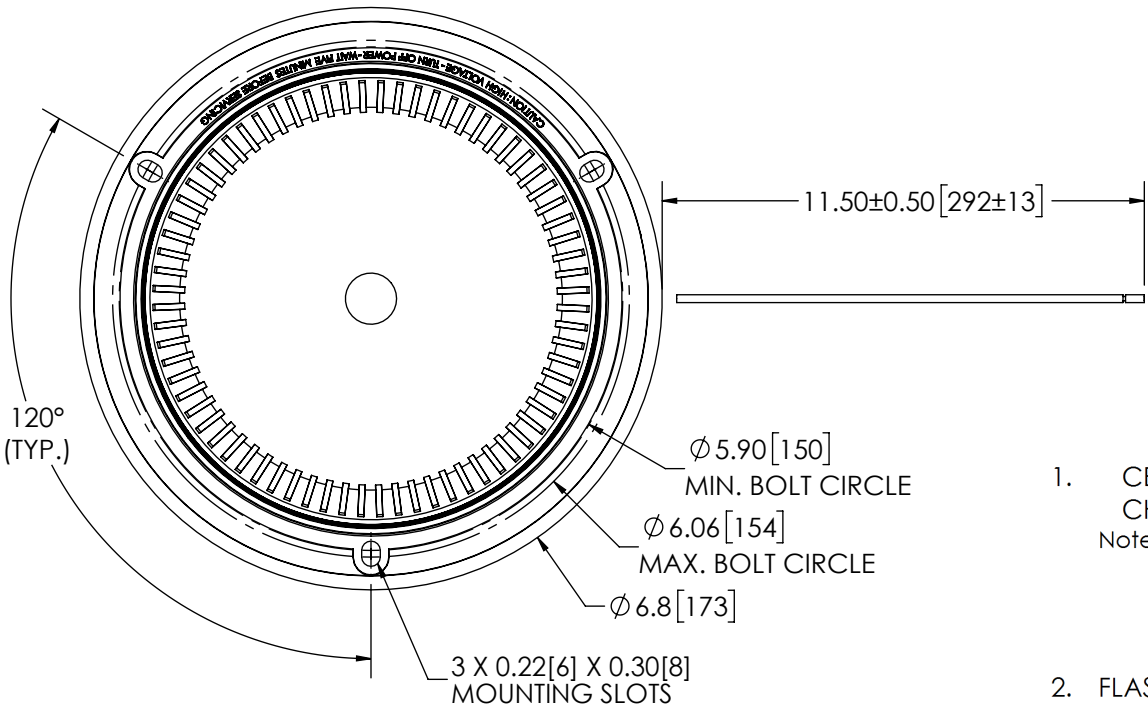


REVISION HISTORY		
REV.	DESCRIPTION	DATE
B	RESTORED ELECT FILE & CHGD SPECS PER CR# 1138	2002-06-19
C	REVISE PER P13002	2014-09-18
D	REVISE PER EC4447	2017-08-01

COLOR CHART		
FGS P/N	COLOR	SAE J1318
6950A	AMBER	CLASS 1
6950C	CLEAR	CLASS 1

SPECIFICATIONS

- CERTIFICATIONS: **CE**; ECE R10; SAE J1318 (MAY 1998), (SEE CHART); IP66
 Note: Unique components, accessories, and hardware kits are not typically Included in the Product Certification Test Protocols. Unless otherwise Specified, the Product Certifications referred to herein are predicated upon the base product model configuration.
- FLASH MODE: QUAD : 65 ± 5 FLASHES PER MINUTE
 DOUBLE : 80 ± 5 FLASHES PER MINUTE
- VOLTAGE (NOMINAL): 12-24 VDC
- VOLTAGE (EXTREME): 10-32 VDC
- CURRENT (PEAK): 3.94A (@ 12 VDC NOMINAL)
- POWER (MAXIMUM): 50.4W (@ 12 VDC NOMINAL)
- TEMPERATURE RANGE: -22°F (-30°C) TO 122°F (50°C)
- CONNECTION: 2-16 AWG WIRES
- MOUNTING: FLANGE MOUNT, PIPE MOUNT
- BASE MATERIAL: ALUMINUM
- LENS MATERIAL: POLYCARBONATE
- PRODUCT WEIGHT: 2 LBS (0.9 Kg)



NOTES:
 1. DIMENSIONS IN INCHES [MILLIMETERS (FOR REFERENCE)]

SCALE 1:2.25		APPROVALS	DATE
CAD GENERATED DRAWING DO NOT MANUALLY UPDATE. MODEL REFERENCED: D		DRAWN BY ABD	2017-07-06
		CHECKED MDH	2017-07-07
TOLERANCES ARE IN INCHES, AND MILLIMETERS TOLERANCES UNLESS OTHERWISE STATED ARE:		MECH. ENG. KLR	2017-07-06
		ELEC. ENG. JES	2017-07-21
MILLIMETERS DECIMALS XX. ± 1.0mm XX.X ± 0.5mm		TEST ENG. JRT	2017-07-06
		SALES. ARS	2017-07-11
INCHES DECIMALS X.X ± 0.1 X.XX ± 0.04 X.XXX ± 0.02		ANGLES ± 0.5°	
FRACTIONS ± 1/64		THIRD ANGLE PROJECTION	

ECCO® www.eccolink.com
 Americas (800) 635-5900 | Europe +44 (0)113 237 5340 | Asia Pacific +61 (0)3 63322444

STROBE, 360*, 12-24VDC, HIGH INTNSTY

CUSTOMER PART NO. **SEE CHART** PRODUCT SERIES: **6900**

SIZE: **A** DWG. NO. **6950X** REV. **D**

Electronically Controlled Use Latest Copy SHEET 1 OF 1 Project: 99071 Date Created: 2001-04-26

THIS DRAWING AND THE DESIGN IT DISCLOSES ARE THE PRIVATE PROPERTY OF ELECTRONIC CONTROLS CO. AND IS ISSUED IN CONFIDENCE FOR ENGINEERING INFORMATION ONLY. THE DRAWING AND / OR DESIGN MAY NOT BE USED, COPIED, REPRODUCED, OR OTHERWISE DISCLOSED IN PART OR AS A WHOLE TO OUTSIDERS OR USED FOR ANY OTHER PURPOSE WITHOUT THE PRIOR WRITTEN CONSENT OF ELECTRONIC CONTROLS CO. THE DRAWING IS SUBJECT TO RECALL AT ANY TIME. YOUR POSSESSION OF THIS DOCUMENT CONSTITUTES ACCEPTANCE OF THESE TERMS. © 2001 ELECTRONIC CONTROLS CO.