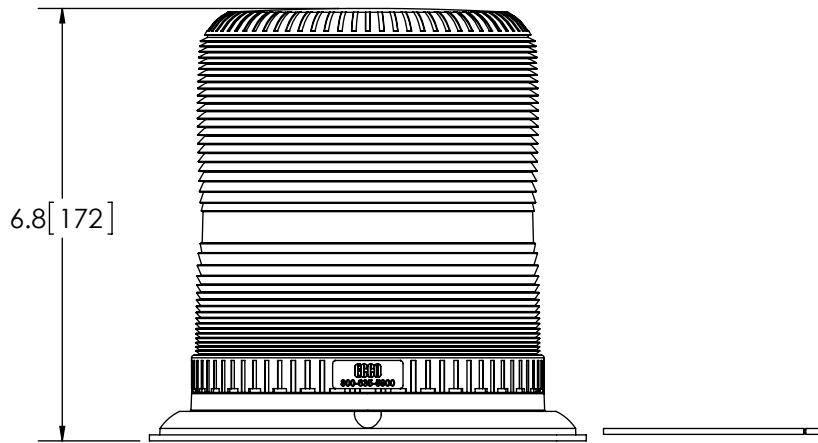
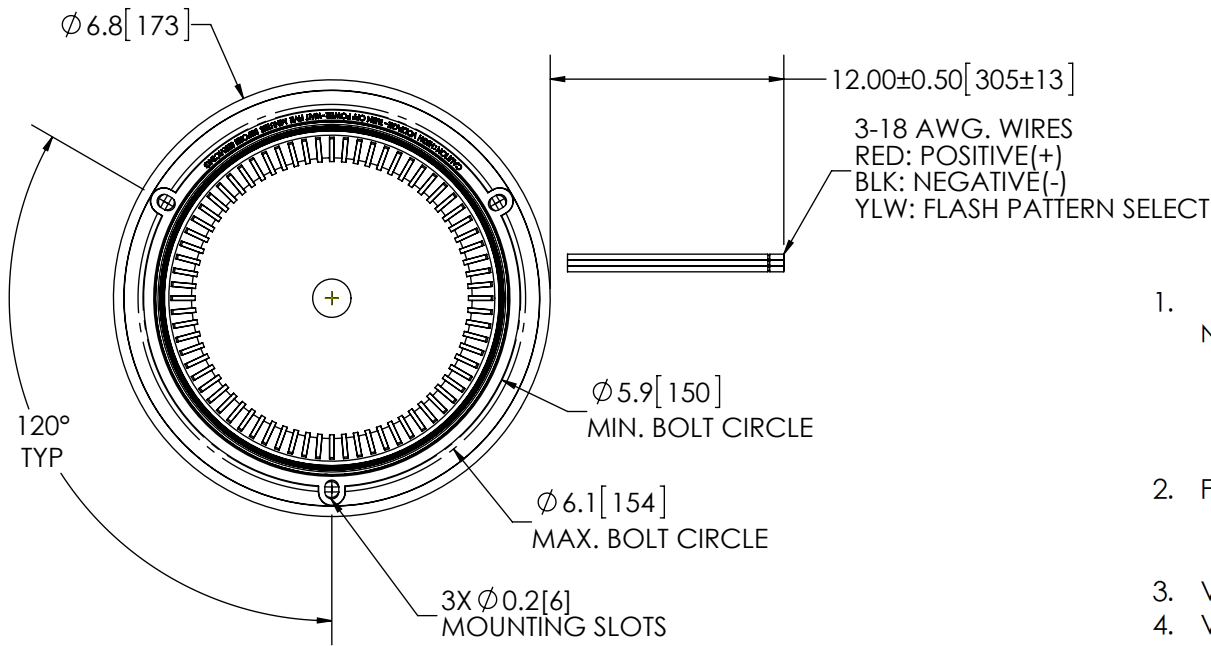


REVISION HISTORY		
REV.	DESCRIPTION	DATE
01	PRELIMINARY RELEASE PER P12027	2013-08-27
A	INITIAL RELEASE PER P12027	2013-08-29
B	REVISE PER P12027	2014-05-15



SPECIFICATIONS

- CERTIFICATIONS: SEE CHART
 Note: Unique components, accessories, and hardware kits are not typically included in the Product Certification Test Protocols. Unless otherwise Specified, the Product Certifications referred to herein are predicated upon the base product model configuration.
- FLASH MODE: SINGLE : 60 ± 5 FLASHES PER MINUTE
 SINGLE : 120 ± 5 FLASHES PER MINUTE
 DOUBLE : 80 ± 5 FLASHES PER MINUTE
- VOLTAGE (NOMINAL): 12 to 24 VDC
- VOLTAGE (EXTREME): 9.0 to 32 VDC
- CURRENT (PEAK): 4.1A (@ 12 VDC NOMINAL)
- POWER (MAXIMUM): 52.5W (@ 12 VDC NOMINAL)
- TEMPERATURE RANGE: $-22^{\circ}\text{F} (-30^{\circ}\text{C})$ TO $122^{\circ}\text{F} (50^{\circ}\text{C})$
- CONNECTION: 3-16 AWG. WIRES
- MOUNTING: FLANGE; PIPE MOUNT
- BASE MATERIAL: ALUMINUM
- LENS MATERIAL: POLYCARBONATE
- PRODUCT WEIGHT: PENDING LBS (0.0 Kg)

FGS PRODUCT CHART		
FGS. NO.	COLOR	SAE J845 (JUNE 2013)
7980A	AMBER	CLASS 1
7980B	BLUE	CLASS 2
7980C	CLEAR	CLASS 1
7980G	GREEN	N/A
7980R	RED	N/A

NOTES:
1. DIMENSIONS IN INCHES [MILLIMETERS (FOR REFERENCE)]

SCALE 1:3		APPROVALS	DATE
CAD GENERATED DRAWING DO NOT MANUALLY UPDATE. MODEL REFERENCED: A		DRAWN BY SNS	2014-05-09
		CHECKED MDH	2014-05-12
TOLERANCES ARE IN INCHES, AND MILLIMETERS TOLERANCES ARE:		MECH. ENG. NMT	2014-05-09
		ELEC. ENG. TJT	2014-05-09
TEST ENG. JRT	2014-05-13	CUSTOMER PART NO. SEE CHART	
SALES. LAT	2014-05-14		


Electronic Controls Co.
 833 West Diamond Street, Boise, ID 83705
 800-635-5900
 www.eccolink.com

LED BEACON, 360°, 12-24VDC, 6", HVY DTY

SIZE: A	DWG. NO. 7980X	REV. B
SHEET 1 OF 1		Date Created: 2013-08-27
Project: P12027		
Electronically Controlled Use Latest Copy		

THIS DRAWING AND THE DESIGN IT DISCLOSES ARE THE PRIVATE PROPERTY OF ECCO AND IS ISSUED IN CONFIDENCE FOR ENGINEERING INFORMATION ONLY. THE DRAWING AND / OR DESIGN MAY NOT BE USED, COPIED, REPRODUCED, OR OTHERWISE DISCLOSED IN PART OR AS A WHOLE TO OUTSIDERS OR USED FOR ANY OTHER PURPOSE WITHOUT THE PRIOR WRITTEN CONSENT OF ECCO. THE DRAWING IS SUBJECT TO RECALL AT ANY TIME. YOUR POSSESSION OF THIS DOCUMENT CONSTITUTES ACCEPTANCE OF THESE TERMS. © 2013 ECCO

