



Installation and Operation Instructions

Multi-Mount Directional LED

IMPORTANT! Read all instructions before installing and using. Installer: This manual must be delivered to the end user.



WARNING!

Failure to install or use this product according to manufacturer's recommendations may result in property damage, serious injury, and/or death to those you are seeking to protect!



Do not install and/or operate this safety product unless you have read and understood the safety information contained in this manual.

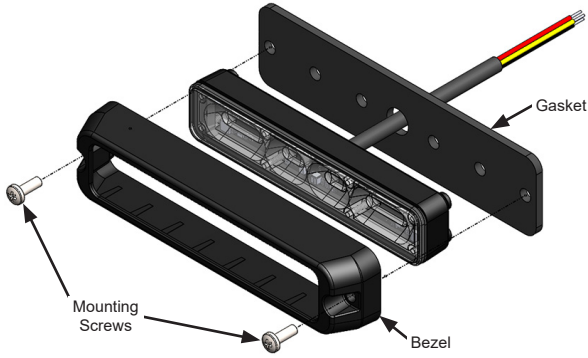
1. Proper installation combined with operator training in the use, care, and maintenance of emergency warning devices are essential to ensure the safety of emergency personnel and the public.
2. Emergency warning devices often require high electrical voltages and/or currents. Exercise caution when working with live electrical connections.
3. This product must be properly grounded. Inadequate grounding and/or shorting of electrical connections can cause high current arcing, which can cause personal injury and/or severe vehicle damage, including fire.
4. Proper placement and installation is vital to the performance of this warning device. Install this product so that output performance of the system is maximized and the controls are placed within convenient reach of the operator so that they can operate the system without losing eye contact with the roadway.
5. Do not install this product or route any wires in the deployment area of an air bag. Equipment mounted or located in an air bag deployment area may reduce the effectiveness of the air bag or become a projectile that could cause serious personal injury or death. Refer to the vehicle owner's manual for the air bag deployment area. It is the responsibility of the user/operator to determine a suitable mounting location ensuring the safety of all passengers inside the vehicle particularly avoiding areas of potential head impact.
6. It is the responsibility of the vehicle operator to ensure daily that all features of this product work correctly. In use, the vehicle operator should ensure the projection of the warning signal is not blocked by vehicle components (i.e., open trunks or compartment doors), people, vehicles or other obstructions.
7. The use of this or any other warning device does not ensure all drivers can or will observe or react to an emergency warning signal. Never take the right-of-way for granted. It is the vehicle operator's responsibility to be sure they can proceed safely before entering an intersection, drive against traffic, respond at a high rate of speed, or walk on or around traffic lanes.
8. This equipment is intended for use by authorized personnel only. The user is responsible for understanding and obeying all laws regarding emergency warning devices. Therefore, the user should check all applicable city, state, and federal laws and regulations. The manufacturer assumes no liability for any loss resulting from the use of this warning device.

Specifications

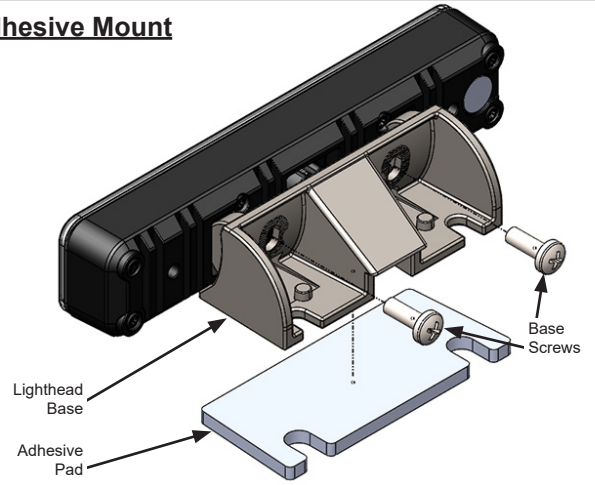
	ED3706X	ED3712XX	ED3716XXX
Size:	4.3" x 0.7" x 0.9"		
Size w/ Bezel:	5.1" x 0.7" x 1.1"		
Weight:	0.48 lbs.		
Input Voltage:	12-24 VDC		
Current:	0.9 A @ 12 VDC	1.3 A @ 12 VDC	0.9 A @ 12 VDC
Power:	11.6 W	16.7 W	11W
Temp. Range:	-40° to 65°C -40° to 149°F		

Installation and Mounting

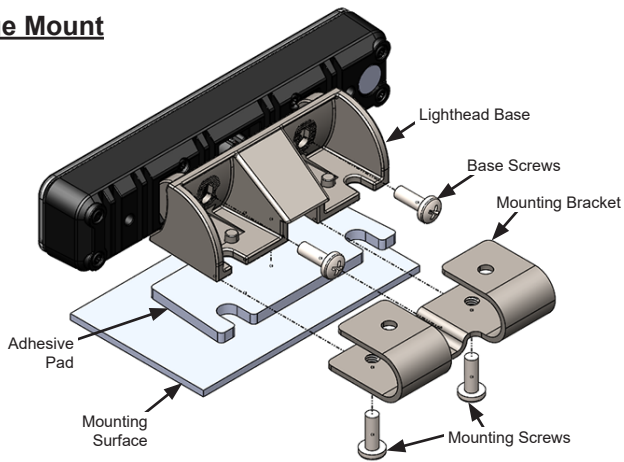
Bezel Mount



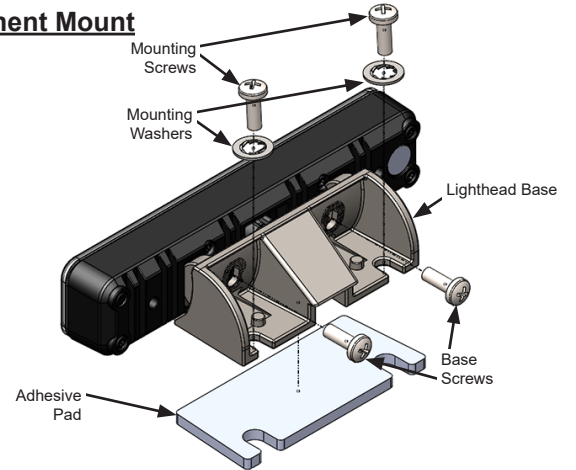
Adhesive Mount



Edge Mount



Permanent Mount



Wiring Instructions

ED3706X

RED: Positive(need to add 2A Fuse)
BLACK: Negative
BLUE: Pattern Switch to Negative, Dimming to Positive
YELLOW: Synchronized Function
(Up to 8 units can be Synchronized)

ED3712XX

RED: Positive, Colors 1 & 3 (need to add 5A Fuse)
WHITE: Positive, Colors 2 & 4 (need to add 5A Fuse)
BLACK: Negative
BLUE: Pattern Switch to Negative, Dimming to Positive
YELLOW: Synchronized Function
(Up to 8 units can be Synchronized)

ED3716XXXX

RED: Group 1 to Positive
GREEN: Group 2 to Positive
ORANGE: Group 3 to Positive
WHITE: Group 4 to Positive
RED & GREEN: Group 5 to Positive
RED & ORANGE: Group 6 to Positive
RED & WHITE: Group 7 to Positive
GREEN & ORANGE: Group 8 to Positive
GREEN & WHITE: Group 9 to Positive
ORANGE & WHITE: Group 10 to Positive
RED & GREEN & ORANGE: Group 11 to Positive
RED & GREEN & WHITE: Group 12 to Positive
RED & ORANGE & WHITE: Group 13 to Positive
GREEN & ORANGE & WHITE: Group 14 to Positive
RED & GREEN & WHITE & ORANGE: Group 15 to Positive
BLACK: Negative
BLUE: Pattern Select to Negative
Dimming to Positive (Optional)
YELLOW: Synchronized Function

Synchronization:

The directional is capable of syncing with other ECCO compatible products by following the steps below.

Step 1. Set the desired flash pattern on each unit individually. It is also strongly recommended that the same rate and style of flash pattern be used on all synced units to produce the most effective warning pattern. **Note: To operate simultaneously, each unit must be set to the same phase (A + A or B + B); to operate alternately, units must be set to have the opposite phase (A + B or B + A).**

Step 2. Connect the yellow sync wires together and check that the units are flashing in a synchronized manner as expected. If a pattern on one unit appears incorrect, the blue pattern select wire can be used to cycle forward or backward on that individual unit until the correct pattern is selected. **Note: This will only change the pattern in the one unit and will not affect the other units connected to the yellow sync wire.**

Pattern Selection:

For ED3706 Series:

Apply BLUE wire to Negative:

- Less than 1 sec. for next pattern
- Between 1-3 sec. for previous pattern
- Between 3-5 sec. for factory default pattern
- More than 5 sec. for Pattern #13 (4 Single Flash, 2 Quad Flash Alt.)

For ED3712 & ED3716 Series:

Apply BLUE wire to Negative:

- Less than 1 sec. for next pattern
- Between 1-3 sec. for previous pattern
- Between 3-5 sec. for factory default pattern
- More than 5 sec. for Steady Burn Color 1 (See attached Flash Pattern Chart for specification)

Flash Patterns

SINGLE COLOR DIRECTIONAL [ED3706X] Flash Pattern Chart

PATTERN	Flash	sim. Phase1	sim. Phase2	Alt.
1	Single Flash 75FPM	S1,C	S1,C	N/A
2	Single Flash 120FPM	S1	S1	N/A
3	Double Flash 75FPM	S1,C	S1,C	N/A
4	Double Flash 120FPM	S1,E1	S1,E1	N/A
5	Quad Flash 75FPM	S1	S1	N/A
6	Quad Flash 150FPM	S1	S1	N/A
7	Triple 75FPM	S1	S1	N/A
8	Quint Flash 150FPM	S1	S1	N/A
9	Steady - Single	N/A		
10	Steady Burn	N/A		
11	Modulation	N/A		
12	2 Double Flash,2 Triple Alt.	N/A		
13	4 Single Flash ,2 Quad Flash Alt.	N/A		

Default Pattern : Quad Flash 75FPM Sim. Phase1

REMARK : S1 : SAE J595 Class 1 S2 : SAE J595 Class 2 C : CA T13 Class B
 E1 : ECE R65 Class 1 E2 : ECE R65 Class 2

DUAL COLOR DIRECTIONAL [ED3712XX] Flash Pattern Chart

Pattern	LED Color 1 & Color 3 Red Wire	LED Color 2 & Color 4 White Wire	LED Color 1 & Color 3 LED Color 2 & Color 4 Red & White Wire	PATTERNS	SYNC.	COMPLIES WITH
1	1-Default		1	SAE/T13 SAE/T13 Single 75FPM Ph1 Color 1 Synchronous Color 3	yes	S1,C
	2		2	SAE/T13 SAE/T13 Single 75FPM Ph2 Color 1 Synchronous Color 3	yes	S1,C
			3	SAE/T13 Single 75FPM Ph1 Color 1 Alternately Color 4	yes	
			4	SAE/T13 Single 75FPM Ph2 Color 1 Alternately Color 4	yes	
		1-Default	5	SAE/T13 Single 75FPM Ph1 Color 2 Synchronous Color 4	yes	S1,C
		2	6	SAE/T13 Single 75FPM Ph2 Color 2 Synchronous Color 4	yes	S1,C
	3	3	7	SAE/T13 Single 38FPM Ph1(Color 1 Synchronous Color 3) Alternately (Color 2 Synchronous Color 4)	yes	
	4	4	8	SAE/T13 Single 38FPM Ph2(Color 1 Synchronous Color 3) Alternately (Color 2 Synchronous Color 4)	yes	
2	5	5	9	SAE/T13 Single 38FPM (Color 1 Alternately Color 2) Alternately (Color 3 Alternately Color 4)	yes	
	6		10	Single 375FPMFPM Ph1 Color 1 Synchronous Color 3	yes	
	7		11	Single 375FPMFPM Ph2 Color 1 Synchronous Color 3	yes	
			12	Single 375FPMFPM Ph1 Color 1 Alternately Color 4	yes	
			13	Single 375FPMFPM Ph2 Color 1 Alternately Color 4	yes	
		6	14	Single 375FPMFPM Ph1 Color 2 Synchronous Color 4	yes	
		7	15	Single 375FPMFPM Ph2 Color 2 Synchronous Color 4	yes	
	8	8	16	Single 187FPMFPM Ph1 (Color 1 Synchronous Color 3) Alternately (Color 2 Synchronous Color 4)	yes	
3	9	9	17	Single 187FPMFPM Ph2 (Color 1 Synchronous Color 3) Alternately (Color 2 Synchronous Color 4)	yes	
	10	10	18	Single 187FPMFPM (Color 1 Alternately Color 2) Alternately (Color 3 Alternately Color 4)	yes	
	11		19	SAE/T13 Double 75FPM Ph1 Color 1 Synchronous Color 3	yes	S1,C
	12		20	SAE/T13 Double 75FPM Ph2 Color 1 Synchronous Color 3	yes	S1,C
			21	SAE/T13 Double 75FPM Ph1 Color 1 Alternately Color 4	yes	
			22	SAE/T13 Double 75FPM Ph2 Color 1 Alternately Color 4	yes	
		11	23	SAE/T13 Double 75FPM Ph1 Color 2 Synchronous Color 4	yes	S1,C
		12	24	SAE/T13 Double 75FPM Ph2 Color 2 Synchronous Color 4	yes	S1,C
4	13	13	25	SAE/T13 Double 38FPM Ph1 (Color 1 Synchronous Color 3) Alternately (Color 2 Synchronous Color 4)	yes	
	14	14	26	SAE/T13 Double 38FPM Ph2 (Color 1 Synchronous Color 3) Alternately (Color 2 Synchronous Color 4)	yes	
	15	15	27	SAE/T13 Double 38FPM (Color 1 Alternately Color 2) Alternately (Color 3 Alternately Color 4)	yes	
	16		28	ECER65/SAE Double 120FPM Ph1 Color 1 Synchronous Color 3	yes	S1,E1
	17		29	ECER65/SAE Double 120FPM Ph2 Color 1 Synchronous Color 3	yes	S1,E1
			30	ECER65/SAE Double 120FPM Ph1 Color 1 Alternately Color 4	yes	
		16	31	ECER65/SAE Double 120FPM Ph2 Color 1 Alternately Color 4	yes	
		17	32	ECER65/SAE Double 120FPM Ph1 Color 2 Synchronous Color 4	yes	S1,E1
5	18	18	33	ECER65/SAE Double 120FPM Ph2 Color 2 Synchronous Color 4	yes	S1,E1
	19	19	34	ECER65/SAE Double 60FPM Ph1 (Color 1 Synchronous Color 3) Alternately (Color 2 Synchronous Color 4)	yes	
	20	20	35	ECER65/SAE Double 60FPM Ph2 (Color 1 Synchronous Color 3) Alternately (Color 2 Synchronous Color 4)	yes	
			36	ECER65/SAE Double 60FPM (Color 1 Alternately Color 2) Alternately (Color 3 Alternately Color 4)	yes	
			37	SAE/T13 Triple 75FPM Ph1 Color 1 Synchronous Color 3	yes	S1,C
			38	SAE/T13 Triple 75FPM Ph2 Color 1 Synchronous Color 3	yes	S1,C
			39	SAE/T13 Triple 75FPM Ph1 Color 1 Alternately Color 4	yes	
			40	SAE/T13 Triple 75FPM Ph2 Color 1 Alternately Color 4	yes	
6		21	41	SAE/T13 Triple 75FPM Ph1 Color 2 Synchronous Color 4	yes	S1,C
		22	42	SAE/T13 Triple 75FPM Ph2 Color 2 Synchronous Color 4	yes	S1,C
		23	43	SAE/T13 Triple 38FPM Ph1 (Color 1 Synchronous Color 3) Alternately (Color 2 Synchronous Color 4)	yes	
		24	44	SAE/T13 Triple 38FPM Ph2 (Color 1 Synchronous Color 3) Alternately (Color 2 Synchronous Color 4)	yes	
		25	45	SAE/T13 Triple 38FPM (Color 1 Alternately Color 2) Alternately (Color 3 Alternately Color 4)	yes	
			46	SAE/T13 Quad 75FPM Ph1 Color 1 Synchronous Color 3	yes	S1
			47	SAE/T13 Quad 75FPM Ph2 Color 1 Synchronous Color 3	yes	S1
			48	SAE/T13 Quad 75FPM Ph1 Color 1 Alternately Color 4	yes	
7			49	SAE/T13 Quad 75FPM Ph2 Color 1 Alternately Color 4	yes	
		26	50	SAE/T13 Quad 75FPM Ph1 Color 2 Synchronous Color 4	yes	S1
		27	51	SAE/T13 Quad 75FPM Ph2 Color 2 Synchronous Color 4	yes	S1
		28	52-Default	SAE/T13 Quad 38FPM Ph1 (Color 1 Synchronous Color 3) Alternately (Color 2 Synchronous Color 4)	yes	
		29	53	SAE/T13 Quad 38FPM Ph2 (Color 1 Synchronous Color 3) Alternately (Color 2 Synchronous Color 4)	yes	
		30	54	SAE/T13 Quad 38FPM (Color 1 Alternately Color 2) Alternately (Color 3 Alternately Color 4)	yes	
		31	55	ECER65/SAE Quad 120FPM Ph1 Color 1 Synchronous Color 3	yes	S1
		32	56	ECER65/SAE Quad 120FPM Ph2 Color 1 Synchronous Color 3	yes	S1
8			57	ECER65/SAE Quad 120FPM Ph1 Color 1 Alternately Color 4	yes	
			58	ECER65/SAE Quad 120FPM Ph2 Color 1 Alternately Color 4	yes	
		31	59	ECER65/SAE Quad 120FPM Ph1 Color 2 Synchronous Color 4	yes	S1
		32	60	ECER65/SAE Quad 120FPM Ph2 Color 2 Synchronous Color 4	yes	S1
		33	61	ECER65/SAE Quad 60FPM Ph1 (Color 1 Synchronous Color 3) Alternately (Color 2 Synchronous Color 4)	yes	
		34	62	ECER65/SAE Quad 60FPM Ph2 (Color 1 Synchronous Color 3) Alternately (Color 2 Synchronous Color 4)	yes	
		35	63	ECER65/SAE Quad 60FPM (Color 1 Alternately Color 2) Alternately (Color 3 Alternately Color 4)	yes	
			64	Modulation (Color 1 Synchronous Color 3) Alternately (Color 2 Synchronous Color 4)	no	
9		65	2 Double,2 Quad (Color 1 Synchronous Color 3) Alternately (Color 2 Synchronous Color 4)	no		
10		66	4 Single,2 Triple (Color 1 Synchronous Color 3) Alternately (Color 2 Synchronous Color 4)	no		
11		67	1Double 1Triple 1Quad (Color 1 Synchronous Color 3) Alternately (Color 2 Synchronous Color 4)	no		
12	36		68	Steady burn-Color 1 & 3	no	
		36	69	Steady burn-Color 2 & 4	no	

REMARK : S1 : SAE J595 Class 1 S2 : SAE J595 Class2 C : CA T13 Class B
 E1 : ECE R65 Class 1 E2 : ECE R65 Class 2

Quad-COLOR DIRECTIONAL [ED3716XXXXX] Flash Pattern Chart

PATTERN GROUP	Group 1 (Red wire)	Group 2 (Green wire)	Group 3 (Orange wire)	Group 4 (White wire)	Group 5 (Red-Green wire)	Group 6 (Red-Orange wire)	Group 7 (Red-White wire)	Group 8 (Green-Orange wire)	Group 9 (Green-White wire)	Group 10 (Orange-White wire)	Group 11 (Red-Green-Orange wire)	Group 12 (Red-Orange-White wire)	Group 13 (Red-Orange-White wire)	Group 14 (Green-Orange-White wire)	Group 15 (Red-Green-Orange-White wire)	FLASH PATTERN	SYNC.	COMPLIES WITH
	Color1	Color2	Color3	Color4	Color 1&2	Color 1&3	Color 1&4	Color 2&3	Color 2&4	Color 3&4	Color 1&2&3	Color 1&2&4	Color 1&3&4	Color 2&3&4	Color 1&2&3&4			
1	1	1	1	1	1	1	1	1	1	1	1	1	1	1	1	Single 75FPM Pk1	yes	SIC
2	2	2	2	2	2	2	2	2	2	2	2	2	2	2	2	Single 75FPM Pk2	yes	SIC
3	3	3	3	3	3	3	3	3	3	3	3	3	3	3	3	Single 120FPM Pk1	yes	SIC
4	4	4	4	4	4	4	4	4	4	4	4	4	4	4	4	Single 120FPM Pk2	yes	SIC
5	5	5	5	5	5	5	5	5	5	5	5	5	5	5	5	Single 375FPM Pk1	yes	SIC
6	6	6	6	6	6	6	6	6	6	6	6	6	6	6	6	Single 375FPM Pk2	yes	SIC
7	7	7	7	7	7	7	7	7	7	7	7	7	7	7	7	Triple 75FPM Pk1	yes	SIC
8	8	8	8	8	8	8	8	8	8	8	8	8	8	8	8	Double 75FPM Pk2	yes	SIC
9	9	9	9	9	9	9	9	9	9	9	9	9	9	9	9	Double 120FPM Pk1	yes	SIC
10	10	10	10	10	10	10	10	10	10	10	10	10	10	10	10	Double 120FPM Pk2	yes	SIC
11	11	11	11	11	11	11	11	11	11	11	11	11	11	11	11	Triple 75FPM Pk1	yes	SIC
12	12	12	12	12	12	12	12	12	12	12	12	12	12	12	12	Triple 75FPM Pk2	yes	SIC
13	13	13	13	13	13	13	13	13	13	13	13	13	13	13	13	Quad 75FPM Pk1	yes	SIC
14	14	14	14	14	14	14	14	14	14	14	14	14	14	14	14	Quad 75FPM Pk2	yes	SIC
15	15	15	15	15	15	15	15	15	15	15	15	15	15	15	15	Quad 150FPM Pk1	yes	SIC
16	16	16	16	16	16	16	16	16	16	16	16	16	16	16	16	Quad 150FPM Pk2	yes	SIC
17	17	17	17	17	17	17	17	17	17	17	17	17	17	17	17	NEPA-Quad Flash 90FPM	no	SIC
18	18	18	18	18	18	18	18	18	18	18	18	18	18	18	18	NEPA-Flash sim.	no	
19	19	19	19	19	19	19	19	19	19	19	19	19	19	19	19	2 Double Flash, 2 Quad Flash	no	
20	20	20	20	20	20	20	20	20	20	20	20	20	20	20	20	4 Single Flash, 2 Triple Flash	no	
21	21	21	21	21	21	21	21	21	21	21	21	21	21	21	21	Autoturn	no	
22	22	22	22	22	22	22	22	22	22	22	22	22	22	22	22	ready burn	no	
22	22	22	22	22	22	22	22	22	22	22	22	22	22	22	22	ready burn	no	
22	22	22	22	22	22	22	22	22	22	22	22	22	22	22	22	ready burn	no	

Default Pattern : Single Flash 75FPM Sim. Phase1

REMARK : S1 : SAE J595 Class 1

E1 : ECE R65 Class 1

S2 : SAE J595 Class2

E2 : ECE R65 Class 2

C : CA T13 Class B

Warranty

Manufacturer Limited Warranty and Limitation of Liability:

Manufacturer warrants that on the date of purchase, this product will conform to Manufacturer's specifications for this product (which are available from the Manufacturer upon request). This Limited Warranty extends for sixty (60) months from the date of purchase.

DAMAGE TO PARTS OR PRODUCTS RESULTING FROM TAMPERING, ACCIDENT, ABUSE, MISUSE, NEGLIGENCE, UNAPPROVED MODIFICATIONS, FIRE OR OTHER HAZARD; IMPROPER INSTALLATION OR OPERATION; OR NOT BEING MAINTAINED IN ACCORDANCE WITH THE MAINTENANCE PROCEDURES SET FORTH IN MANUFACTURER'S INSTALLATION AND OPERATING INSTRUCTIONS VOIDS THIS LIMITED WARRANTY.

Exclusion of Other Warranties:

MANUFACTURER MAKES NO OTHER WARRANTIES, EXPRESSED OR IMPLIED. THE IMPLIED WARRANTIES FOR MERCHANTABILITY, QUALITY OR FITNESS FOR A PARTICULAR PURPOSE, OR ARISING FROM A COURSE OF DEALING, USAGE OR TRADE PRACTICE ARE HEREBY EXCLUDED AND SHALL NOT APPLY TO THE PRODUCT AND ARE HEREBY DISCLAIMED, EXCEPT TO THE EXTENT PROHIBITED BY APPLICABLE LAW. ORAL STATEMENTS OR REPRESENTATIONS ABOUT THE PRODUCT DO NOT CONSTITUTE WARRANTIES.

Remedies and Limitation of Liability:

MANUFACTURER'S SOLE LIABILITY AND BUYER'S EXCLUSIVE REMEDY IN CONTRACT, TORT (INCLUDING NEGLIGENCE), OR UNDER ANY OTHER THEORY AGAINST MANUFACTURER REGARDING THE PRODUCT AND ITS USE SHALL BE, AT MANUFACTURER'S DISCRETION, THE REPLACEMENT OR REPAIR OF THE PRODUCT, OR THE REFUND OF THE PURCHASE PRICE PAID BY BUYER FOR NON-CONFORMING PRODUCT. IN NO EVENT SHALL MANUFACTURER'S LIABILITY ARISING OUT OF THIS LIMITED WARRANTY OR ANY OTHER CLAIM RELATED TO THE MANUFACTURER'S PRODUCTS EXCEED THE AMOUNT PAID FOR THE PRODUCT BY BUYER AT THE TIME OF THE ORIGINAL PURCHASE. IN NO EVENT SHALL MANUFACTURER BE LIABLE FOR LOST PROFITS, THE COST OF SUBSTITUTE EQUIPMENT OR LABOR, PROPERTY DAMAGE, OR OTHER SPECIAL, CONSEQUENTIAL, OR INCIDENTAL DAMAGES BASED UPON ANY CLAIM FOR BREACH OF CONTRACT, IMPROPER INSTALLATION, NEGLIGENCE, OR OTHER CLAIM, EVEN IF MANUFACTURER OR A MANUFACTURER'S REPRESENTATIVE HAS BEEN ADVISED OF THE POSSIBILITY OF SUCH DAMAGES. MANUFACTURER SHALL HAVE NO FURTHER OBLIGATION OR LIABILITY WITH RESPECT TO THE PRODUCT OR ITS SALE, OPERATION AND USE, AND MANUFACTURER NEITHER ASSUMES NOR AUTHORIZES THE ASSUMPTION OF ANY OTHER OBLIGATION OR LIABILITY IN CONNECTION WITH SUCH PRODUCT.

This Limited Warranty defines specific legal rights. You may have other legal rights which vary from jurisdiction to jurisdiction. Some jurisdictions do not allow the exclusion or limitation of incidental or consequential damages.



833 West Diamond St, Boise, Idaho 83705
Customer Service USA 800-635-5900
UK +44 (0)113 237 5340 | AUS +61 (0)3 63322444
ECCOESG.com

An **ECCO SAFETY GROUP™** Brand
ECCOSAFETYGROUP.com



Instrucciones de instalación y operación

Led direccional con múltiples opciones de instalación

¡IMPORTANTE! Lea todas las instrucciones antes de instalar y utilizar. Instalador: Este manual se debe entregar al usuario final.



¡ADVERTENCIA!

Si no sigue las instrucciones del fabricante a la hora de instalar o usar el producto, pueden producirse daños materiales, y lesiones graves o incluso mortales a aquellos que pretende proteger!



No instale ni opere este producto de seguridad, a menos que haya leído y comprendido la información de seguridad contenida en este manual.

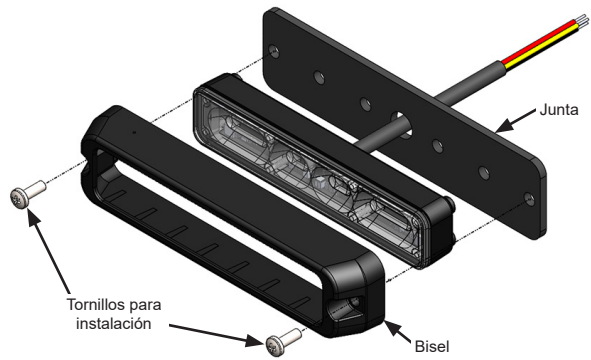
1. Para garantizar su propia seguridad y la de las personas a las que intenta proteger, es esencial una instalación correcta, combinada con la formación de operador en el uso, cuidado y mantenimiento de los dispositivos de alerta de emergencia.
2. Tenga cuidado cuando manipule conexiones eléctricas con corriente.
3. Este producto debe estar conectado a tierra correctamente. Una conexión a tierra incorrecta o unas conexiones eléctricas cortocircuitadas pueden provocar arcos de corriente alta, lo que puede ocasionar lesiones personales o daños graves en el vehículo, incluso un incendio.
4. La colocación e instalación adecuadas son vitales para el buen funcionamiento de este dispositivo de alarma. Instale este producto de forma que permita un rendimiento óptimo del sistema y los controles estén situados de modo que el operador pueda alcanzarlos cómodamente y manejar el sistema sin perder en ningún momento el contacto visual con la calzada.
5. No instale este producto ni coloque los cables en la zona de despliegue de un airbag. Si el equipo se monta o coloca en la zona de despliegue de un airbag, el airbag perderá eficacia o el equipo puede salir despedido, lo cual puede causar lesiones graves o incluso mortales. Consulte el manual del propietario del vehículo para conocer la zona de despliegue de los airbags. El usuario u operador son responsables de determinar una posición de montaje adecuada que garantice la seguridad de todos los ocupantes del vehículo, y deben evitar zonas que puedan provocar golpes en la cabeza.
6. Es responsabilidad del operador del vehículo asegurarse de que todas las características de este producto funcionan correctamente durante su uso. Durante su uso, el operador del vehículo debe asegurarse de que no haya componentes del vehículo (como los maleteros o puertas del habitáculo abiertos), personas, vehículos u otros obstáculos que bloqueen la señal de alarma.
7. El uso de este o cualquier otro dispositivo de alarma no garantiza que los conductores puedan o quieran observar o reaccionar a la señal de alarma. Nunca dé por hecho que tiene prioridad de paso. Es responsabilidad enteramente suya asegurarse de que puede continuar de forma segura antes de entrar en una intersección, conducir en sentido contrario, responder a una gran velocidad o caminar por los carriles de tráfico o cerca de ellos.
8. El uso de este equipo está destinado exclusivamente a personal autorizado. El usuario es responsable de conocer y acatar todas las leyes vigentes relacionadas con dispositivos de señales de advertencia. Por lo tanto, el usuario debe comprobar todas las leyes y normativas de ámbito metropolitano, regional, nacional y cualquier otro ámbito pertinente. El fabricante no asume responsabilidad alguna por pérdidas derivadas del uso de este dispositivo de alarma.

Especificaciones

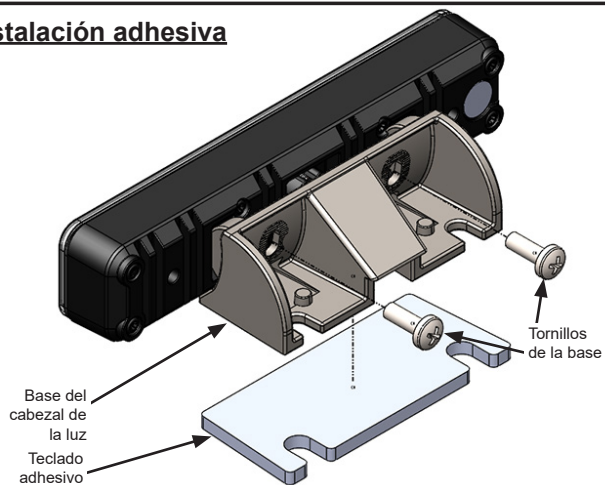
	ED3706X	ED3712XX	ED3716XXX
Tamaño	4.3" x 0.7" x 0.9"		
Tamaño con bisel	5.1" x 0.7" x 1.1"		
Peso	0.48 lbs.		
Tensión de entrada	12-24 VDC		
Corriente	0.9 A @ 12 VDC	1.3 A @ 12 VDC	0.9 A @ 12 VDC
Potencia máxima (W)	11.6 W	16.7 W	11W
Temp. Range	-40° to 65°C -40° to 149°F		

Installation and Mounting

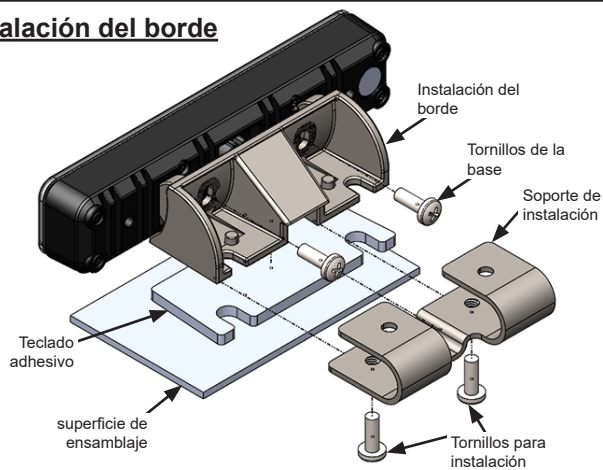
Instalación del bisel



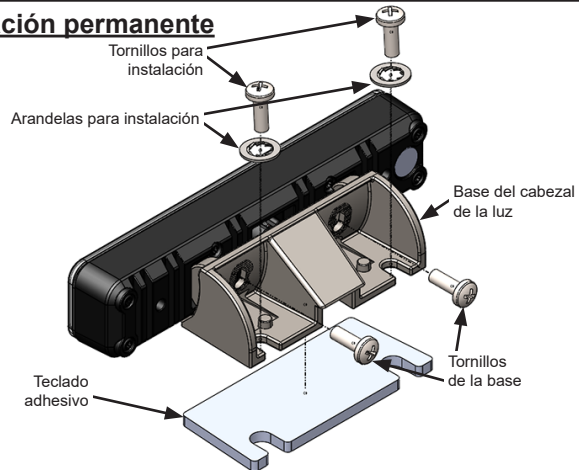
Instalación adhesiva



Instalación del borde



Instalación permanente



Instrucciones del cableado:

ED3706X

ROJO: positivo (se debe agregar fusible 2A)
NEGRO: negativo
AZUL: cambio de patrón para negativo, oscurecimiento para positivo
AMARILLO: función sincronizada
(se pueden sincronizar hasta 8 unidades)

ED3712XX

ROJO: positivo, colores 1 y 3 (se debe agregar fusible 5A)
BLANCO: positivo, colores 2 y 4 (se debe agregar fusible 5A)
NEGRO: negativo
AZUL: cambio de patrón para negativo, oscurecimiento para positivo
AMARILLO: función sincronizada
(se pueden sincronizar hasta 8 unidades)

ED3716XXXX

ROJO: grupo 1 para positivo
VERDE: grupo 2 para positivo
NARANJA: grupo 3 para positivo
BLANCO: grupo 4 para positivo
ROJO Y VERDE: grupo 5 para positivo
ROJO Y NARANJA: grupo 6 para positivo
ROJO Y BLANCO: grupo 7 para positivo
VERDE Y NARANJA: grupo 8 para positivo
VERDE Y BLANCO: grupo 9 para positivo
NARANJA Y BLANCO: grupo 10 para positivo
ROJO, VERDE Y NARANJA: grupo 11 para positivo
ROJO, VERDE Y BLANCO: grupo 12 para positivo
ROJO, NARANJA Y BLANCO: grupo 13 para positivo
VERDE, NARANJA Y BLANCO: grupo 14 para positivo
ROJO, VERDE, BLANCO Y NARANJA: grupo 15 para positivo
NEGRO: negativo
AZUL: selección de patrón para negativo
Oscurecimiento para positivo (opcional)
AMARILLO: función sincronizada

Sincronización:

Este dispositivo es capaz de sincronizar hasta 8 productos de ECCO compatibles siguiendo estos pasos. Este dispositivo se puede sincronizar dentro de un patrón de parpadeo de 1 a 63.

1. Establezca el patrón de parpadeo deseado en cada unidad de forma individual. Además, se recomienda encarecidamente utilizar el mismo patrón de parpadeo en todas las unidades para producir el patrón de advertencia más eficaz. NOTA: Las fases 1 y 2 para cada estilo de patrón de parpadeo de la tabla indican el tiempo relativo entre las unidades conectadas en una instalación sincronizada. Para funcionar simultáneamente, cada unidad se debe ajustar con la misma fase (1 + (1 o 2 + 2)); para funcionar de forma alterna, las unidades se deben ajustar con fases opuestas (1 + 2 o 2 + 1).
2. Conecte entre sí los cables de sincronización amarillos y compruebe que las unidades parpadean de forma sincronizada según lo esperado. Si el patrón de una unidad parece incorrecto, se puede utilizar el cable de patrón azul para avanzar o retroceder por los patrones de esa unidad individual hasta seleccionar el patrón correcto. NOTA: Esto solo cambia el patrón de esa unidad específica y no afecta a las demás unidades conectadas al cable de sincronización amarillo.

Selección de patrón de parpadeo:

Para la serie ED3706:

Aplicar el cable AZUL al negativo:

- Menos de 1 segundo para el siguiente patrón
- De 1 a 3 segundos para el patrón anterior
- De 3 a 5 segundos para el patrón predeterminado de fábrica
- Más de 5 segundos para el patrón n.º 13 (4 destellos individuales, 2 destellos cuádruples alternadamente)

Para las series ED3712 y ED3716:

Aplicar el cable AZUL al negativo:

- Menos de 1 segundo para el siguiente patrón
- De 1 a 3 segundos para el patrón anterior
- De 3 a 5 segundos para el patrón predeterminado de fábrica
- Más de 5 segundos para color 1 de consumo fijo (consulte las especificaciones en el cuadro de patrones de destellos)

Limitación de responsabilidad y garantía limitada del fabricante:

El fabricante garantiza que al momento de la compra, este producto cumple con las especificaciones del fabricante para el mismo (disponibles a pedido). El fabricante garantiza además que el presente producto está libre de defectos en sus materiales y en su fabricación. Esta garantía limitada se extiende durante sesenta (60) meses a partir de la fecha de la compra. Pueden aplicarse otras garantías. Para más información, comuníquese con el fabricante. El fabricante, a criterio propio, reparará o cambiará todo producto que determine como defectuoso y que esté sujeto a la presente garantía limitada.

EL DAÑO A LAS PIEZAS O PRODUCTOS QUE RESULTE DE LA MANIPULACIÓN INDEBIDA, ACCIDENTES, ABUSO, USO INDEBIDO, NEGLIGENCIA, MODIFICACIONES NO APROBADAS, INCENDIOS U OTROS PELIGROS, LA INSTALACIÓN O EL USO INCORRECTOS O LA FALTA DE MANTENIMIENTO CONFORME A LOS PROCEDIMIENTOS DE MANTENIMIENTO QUE SE ESTABLECEN EN LAS INSTRUCCIONES DE INSTALACIÓN Y USO DEL FABRICANTE, ANULA LA PRESENTE GARANTÍA LIMITADA.

LAS REPRESENTACIONES O DESCRIPCIONES ORALES DEL PRODUCTO QUE PUEDAN HABER SIDO REALIZADAS POR VENEDORES, DISTRIBUIDORES, AGENTES U OTROS REPRESENTANTES DEL FABRICANTE NO CONSTITUYEN GARANTÍAS. ESTA GARANTÍA LIMITADA NO PODRÁ ENMENDARSE, MODIFICARSE NI AMPLIARSE EXCEPTO MEDIANTE UN ACUERDO ESCRITO FIRMADO POR UN REPRESENTANTE AUTORIZADO DEL FABRICANTE QUE HAGA REFERENCIA EN FORMA EXPRESA A ELLA.

Exclusión de otras garantías:

EL FABRICANTE NO OTORGA NINGUNA OTRA GARANTÍA, EXPRESA O IMPLÍCITA. MEDIANTE LA PRESENTE, SE EXCLUYEN LAS GARANTÍAS IMPLÍCITAS DE COMERCIABILIDAD O APTITUD PARA UN PROPÓSITO EN PARTICULAR, QUE NO SE APLICARÁN AL PRODUCTO. EL ÚNICO Y EXCLUSIVO REMEDIO DEL COMPRADOR CON RESPECTO AL CONTRATO, DERECHOS POR DAÑOS O CUALQUIER OTRA TEORÍA CONTRA EL FABRICANTE RELACIONADA CON EL PRODUCTO Y SU USO SERÁ LA REPARACIÓN O EL REEMPLAZO DEL PRODUCTO SEGÚN SE DESCRIBE ANTERIORMENTE.

Limitación de responsabilidad:

EN EL CASO DE RESPONSABILIDAD POR DAÑOS QUE SURJAN DE LA PRESENTE GARANTÍA LIMITADA O POR CUALQUIER OTRO RECLAMO RELACIONADO CON LOS PRODUCTOS DEL FABRICANTE, CON LA RESPONSABILIDAD DEL FABRICANTE FRENTE A LOS DAÑOS, QUEDARÁ LIMITADA AL IMPORTE PAGADO POR EL PRODUCTO EN EL MOMENTO DE LA COMPRA ORIGINAL. EL FABRICANTE NO SERÁ RESPONSABLE, BAJO NINGÚN MOTIVO, POR EL LUCRO CESANTE, EL COSTO DE LA MANO DE OBRA NI DEL EQUIPO DE SUSTITUCIÓN, DAÑOS A LA PROPIEDAD NI POR OTROS DAÑOS ESPECIALES, RESULTANTES O INDIRECTOS EN FUNCIÓN DE RECLAMOS POR INCUMPLIMIENTO CONTRACTUAL, INSTALACIÓN INAPROPIADA, NEGLIGENCIA U OTROS, INCLUSO SI EL FABRICANTE O UNO DE SUS REPRESENTANTES HUBIESE ANTICIPADO LA POSIBILIDAD DE DICHOS DAÑOS. EL FABRICANTE NO TENDRÁ NINGUNA OTRA OBLIGACIÓN O RESPONSABILIDAD RESPECTO DEL PRODUCTO O SU VENTA, OPERACIÓN Y USO NI SUPONE O AUTORIZA QUE SE SUPONGA TODA OTRA OBLIGACIÓN O RESPONSABILIDAD RELACIONADAS CON DICHO PRODUCTO.

Esta garantía limitada define los derechos legales específicos. Es posible que tenga otros derechos legales que varían de estado a estado. Algunos estados no permiten la exclusión o limitación de daños resultantes o indirectos.



833 West Diamond St, Boise, Idaho 83705
Servicio Al Cliente EE.UU. 800-635-5900
Reino Unido +44 (0)113 237 5340 | AUS +61 (0)3 63322444
ECCOESG.com

An **ECCO SAFETY GROUP™** Brand
ECCOSAFETYGROUP.com



Instructions d'installation et d'utilisation

DEL directionnelle à montage multiple

IMPORTANT! Lisez toutes les instructions avant d'installer et d'utiliser le produit. Installateur : ce manuel doit être remis à l'utilisateur final.



AVERTISSEMENT!

Le non-respect des recommandations du fabricant au cours de l'installation ou de l'utilisation de ce produit peut entraîner des dommages matériels et causer à ceux que vous souhaitez protéger des blessures graves, voire mortelles!



N'installez pas et/ou n'utilisez pas ce produit de sécurité avant d'avoir lu et compris les consignes de sécurité fournies.

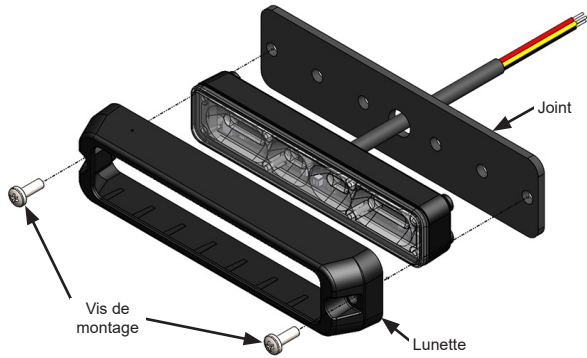
1. Pour garantir votre sécurité et celle des autres, il est essentiel que le produit soit correctement installé et que l'opérateur soit formé à l'utilisation, l'entretien et la maintenance des dispositifs d'avertissement d'urgence.
2. Les dispositifs d'avertissement d'urgence nécessitent souvent des tensions et/ou des courants électriques élevés. Manipulez les connexions électriques sous tension avec prudence.
3. Ce produit doit être correctement mis à la masse. Une mise à la masse inadéquate ou un court-circuit des connexions électriques peut provoquer l'apparition d'un arc électrique haute tension, susceptible de causer des blessures corporelles ou des dommages graves sur le véhicule, ainsi qu'un incendie.
4. Une installation et un positionnement corrects sont essentiels au bon fonctionnement de ce dispositif d'avertissement. Installez ce produit de manière à optimiser les performances de sortie du système et de sorte que les commandes soient à portée de main de l'opérateur, afin qu'il puisse utiliser le système sans perdre le contact visuel avec la chaussée.
5. N'installez pas ce produit dans la zone de déploiement d'un airbag ; n'acheminez pas non plus de câbles dans cette zone. Tout équipement monté ou situé dans la zone de déploiement d'un airbag est susceptible de réduire l'efficacité de cet airbag ou de devenir un projectile pouvant causer des blessures graves, voire mortelles. Reportez-vous au manuel d'utilisation du véhicule pour en savoir davantage sur la zone de déploiement de l'airbag. Il incombe à l'utilisateur/l'opérateur de définir un emplacement de montage approprié assurant la sécurité de tous les passagers à l'intérieur du véhicule, en évitant en particulier les zones d'impact potentiel de la tête.
6. Il incombe à l'opérateur du véhicule de s'assurer que toutes les fonctionnalités de ce produit fonctionnent correctement au cours de l'utilisation. Lorsque le produit est en cours d'utilisation, l'opérateur du véhicule doit s'assurer que le signal d'avertissement n'est pas inhibé par des composants du véhicule (comme un coffre ou des portes de compartiment ouverts), des personnes, des véhicules ou d'autres éléments.
7. L'utilisation de ce dispositif d'avertissement ou de tout autre dispositif similaire ne garantit pas que tous les conducteurs observeront un signal d'avertissement ou réagiront à ce signal. Ne prenez jamais la priorité pour acquise. Il est de votre responsabilité de vous assurer que vous pouvez vous déplacer en toute sécurité avant de vous engager dans une intersection, de conduire en sens inverse de la circulation, de réagir à une vitesse élevée et de marcher sur ou autour des voies de circulation.
8. Cet équipement est destiné uniquement au personnel autorisé. Il incombe à l'utilisateur de comprendre et de respecter toutes les lois relatives aux dispositifs de signalisation d'avertissement. Par conséquent, l'utilisateur doit s'informer sur toutes les lois et réglementations en vigueur dans la ville, la région et le pays où il se trouve. Le fabricant décline toute responsabilité en cas de perte découlant de l'utilisation de ce dispositif d'avertissement.

Caractéristiques techniques

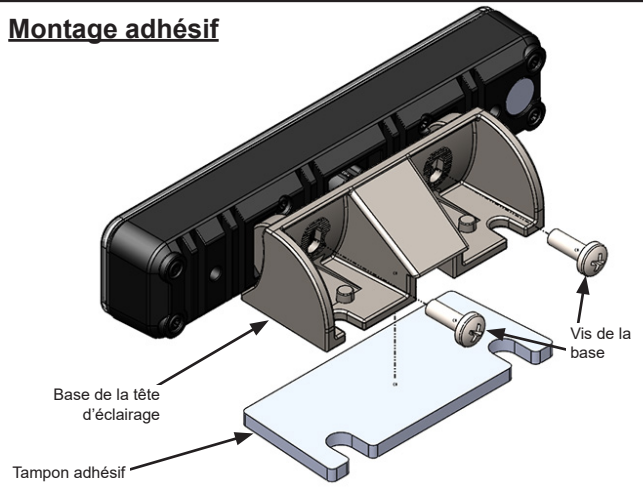
	ED3706X	ED3712XX	ED3716XXX
Taille	4.3" x 0.7" x 0.9"		
Taille avec lunette	5.1" x 0.7" x 1.1"		
Poids	0.48 lbs.		
Tension d'entrée	12-24 VDC		
Courant	0.9 A @ 12 VDC	1.3 A @ 12 VDC	0.9 A @ 12 VDC
Puissance	11.6 W	16.7 W	11W
Temp. Range	-40° to 65°C -40° to 149°F		

Installation et montage:

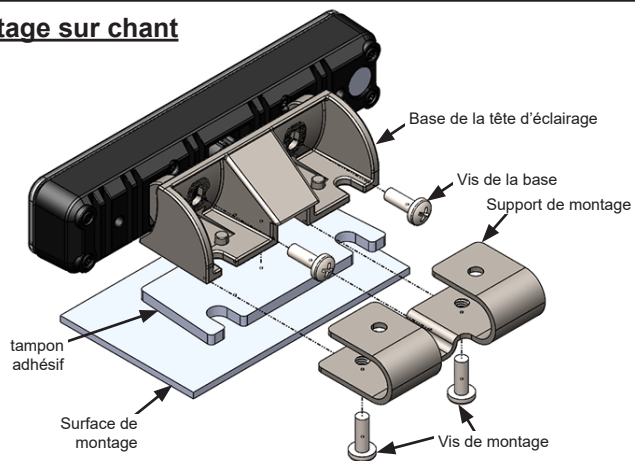
Montage sur lunette



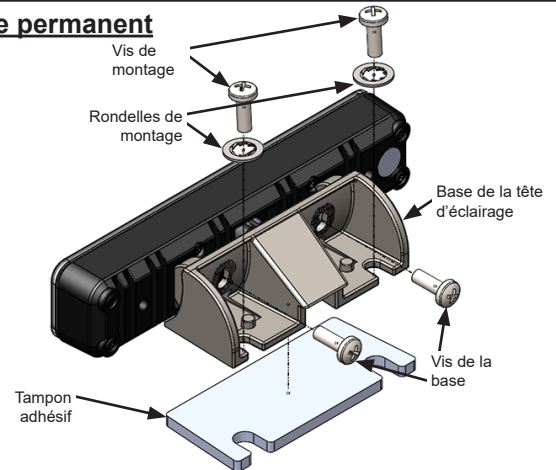
Montage adhésif



Montage sur chant



Montage permanent



Instructions de câblage:

ED3706X

RED: Positive(need to add 2A Fuse)
ROUGE : positif (un fusible de 2A doit être ajouté)
NOIR : négatif
BLEU : passage du motif au négatif, gradation au positif
JAUNE : fonction synchronisée
(jusqu'à 8 unités peuvent être synchronisées)

ED3712XX

ROUGE : positif, couleurs 1 et 3 (un fusible de 5A doit être ajouté)
BLANC : positif, couleurs 2 et 4 (un fusible de 5A doit être ajouté)
NOIR : négatif
BLEU : passage du motif au négatif, gradation au positif
JAUNE : fonction synchronisée
(jusqu'à 8 unités peuvent être synchronisées)

ED3716XXXX

ROUGE : passage du groupe 1 au positif
VERT : passage du groupe 2 au positif
ORANGE : passage du groupe 3 au positif
BLANC : passage du groupe 4 au positif
ROUGE ET VERT : passage du groupe 5 au positif
ROUGE ET ORANGE : passe du groupe 6 au positif
ROUGE ET BLANC : passage du groupe 7 au positif
VERT ET ORANGE : passage du groupe 8 au positif
VERT ET BLANC : passage du groupe 9 au positif
ORANGE ET BLANC : passage du groupe 10 au positif
ROUGE ET VERT ET ORANGE : passage du groupe 11 au positif
ROUGE ET VERT ET BLANC : passage du groupe 12 au positif
ROUGE ET ORANGE ET BLANC : passage du groupe 13 au positif
VERT ET ORANGE ET BLANC : passage du groupe 14 au positif
ROUGE ET VERT ET BLANC ET ORANGE : passage du groupe 15 au positif
NOIR : négatif
BLEU : passage du motif au négatif
Gradation au positif (en option)
JAUNE : fonction synchronisée

Synchronisation:

Cet appareil est capable de synchroniser jusqu'à 8 produits ECCO compatibles en suivant les étapes ci-dessous. Cet appareil peut être synchronisé avec les schémas de clignotement 1 à 63.

1. Réglez le schéma de clignotement souhaité sur chaque unité individuellement. Il est aussi fortement recommandé d'utiliser le même style de schéma de clignotement sur toutes les unités pour produire l'avertissement le plus efficace. REMARQUE : les phases 1 et 2 pour chaque style de schéma de clignotement dans le tableau indiquent la synchronisation relative entre les unités branchées dans une installation synchronisée. Pour fonctionner simultanément, chaque unité doit être réglée sur la même phase (1 + 1 ou 2 + 2); pour fonctionner en alternance, les unités doivent être réglées sur des phases opposées (1 + 2 ou 2 + 1).
2. Brancher les fils de synchronisation jaunes ensemble et vérifier que les unités clignotent de manière synchronisée comme prévu. Si l'effet d'une unité semble incorrect, le fil bleu de sélection de l'effet peut être utilisé pour faire défiler les effets précédents ou subséquents sur cette unité jusqu'à ce que l'effet correct soit sélectionné. REMARQUE : cette mesure modifie uniquement l'effet d'une unité et n'affecte pas les autres unités branchées au fil de synchronisation jaune.
sync wire.

Sélection des effets de clignotement:

Pour la série ED3706 :

Appliquer le fil du BLEU pour l'option négative :

- Moins d'une seconde pour le motif suivant
- De une à trois secondes pour le motif précédent
- De trois à cinq secondes pour la configuration par défaut de l'usine
- Plus de cinq secondes pour le motif n° 13 (quatre éclats lumineux simples, deux éclats lumineux quadruples alternatifs)

Pour les séries ED3712 et ED3716 :

Appliquer le fil du BLEU pour l'option négative :

- Moins d'une seconde pour le motif suivant
- De une à trois secondes pour le motif précédent
- De trois à cinq secondes pour la configuration par défaut de l'usine
- Plus de cinq secondes pour un éclairage constant en couleur 1 (voir le tableau des motifs d'éclats lumineux ci-joint pour les spécifications)

Garantie limitée et limitation de responsabilité du fabricant :

Le fabricant garantit qu'à la date d'achat ce produit sera conforme aux caractéristiques techniques définies par ses soins (disponibles sur demande) et qu'il est exempt de vices de fabrication et de main-d'œuvre. La présente garantie limitée est valable soixante (60) mois à compter de la date d'achat. D'autres garanties peuvent s'appliquer. Pour plus d'informations, contactez le fabricant. Le fabricant réparera ou remplacera, à son entière discrétion, tout produit qu'il jugera défectueux, sous réserve de la présente garantie limitée.

LA PRÉSENTE GARANTIE LIMITÉE EST NULLE ET NON AVENUE EN CAS D'ENDOMMAGEMENT DE PIÈCES OU DE PRODUITS RÉSULTANT D'UNE ALTÉRATION, D'UN ACCIDENT, D'UN ABUS, D'UNE MAUVAISE UTILISATION, D'UNE NÉGLIGENCE, DE MODIFICATIONS NON AUTORISÉES, D'UN INCENDIE OU D'UN AUTRE DANGER; D'UNE MAUVAISE INSTALLATION OU D'UN FONCTIONNEMENT INCORRECT; OU ENCORE D'UN ENTRETIEN NON CONFORME AUX PROCÉDURES D'ENTRETIEN DÉFINIES DANS LES INSTRUCTIONS D'INSTALLATION ET D'UTILISATION DU FABRICANT.

LES DÉCLARATIONS OU OBSERVATIONS ORALES AU SUJET DU PRODUIT QUI POURRAIENT AVOIR ÉTÉ FAITES PAR DES VENDEURS, DES REVENDEURS, DES AGENTS OU D'AUTRES REPRÉSENTANTS DU FABRICANT NE CONSTITUENT PAS DES GARANTIES. LA PRÉSENTE GARANTIE LIMITÉE NE PEUT ÊTRE MODIFIÉE ET SON CHAMP D'APPLICATION NE PEUT ÊTRE ÉLARGI EXCEPTÉ EN VERTU D'UN ACCORD ÉCRIT SIGNÉ PAR UN REPRÉSENTANT AUTORISÉ DU FABRICANT QUI FAIT EXPRESSÉMENT RÉFÉRENCE À LA PRÉSENTE GARANTIE.

Exclusion d'autres garanties :

LE FABRICANT N'ACCORDE AUCUNE AUTRE GARANTIE, EXPRESSE OU TACITE. LES GARANTIES IMPLICITES DE QUALITÉ MARCHANDE OU D'APTITUDE À UN USAGE PARTICULIER SONT EXCLUES ET NE S'APPLIQUERONT PAS AU PRODUIT. LE SEUL ET UNIQUE RECOURS DE L'ACHETEUR CONTRE LE FABRICANT CONCERNANT LE PRODUIT ET SON UTILISATION, QUEL QUE SOIT LE FONDEMENT DE RESPONSABILITÉ INVOQUÉ (RESPONSABILITÉ CONTRACTUELLE, DÉLICTUELLE OU AUTRE), SERA LE REMPLACEMENT OU LA RÉPARATION DU PRODUIT COMME INDIQUÉ CI-DESSUS.

Limitation de responsabilité :

EN CAS DE RESPONSABILITÉ POUR DES DOMMAGES DÉCOULANT DE LA PRÉSENTE GARANTIE LIMITÉE OU TOUTE AUTRE RÉCLAMATION RELATIVE AUX PRODUITS DU FABRICANT, LA RESPONSABILITÉ DU FABRICANT SE LIMITERA AU MONTANT PAYÉ POUR LE PRODUIT LORS DE L'ACHAT INITIAL. LE FABRICANT NE SERA EN AUCUN CAS RESPONSABLE DU MANQUE À GAGNER, DU COÛT DE L'ÉQUIPEMENT DE SUBSTITUTION OU DE LA MAIN-D'ŒUVRE, DES DOMMAGES MATÉRIELS OU D'AUTRES DOMMAGES PARTICULIERS, INDIRECTS OU ACCESSOIRES FONDÉS SUR UNE RÉCLAMATION POUR RUPTURE DE CONTRAT, MAUVAISE INSTALLATION, NÉGLIGENCE OU TOUTE AUTRE RÉCLAMATION, MÊME SI LE FABRICANT OU L'UN DE SES REPRÉSENTANTS A ÉTÉ INFORMÉ DE L'ÉVENTUALITÉ DE TELS DOMMAGES. LE FABRICANT NE S'ACQUITTE D'AUCUNE AUTRE OBLIGATION OU RESPONSABILITÉ QUANT AU PRODUIT OU SA VENTE, SON FONCTIONNEMENT ET SON UTILISATION, ET N'ADMET NI N'AUTORISE L'HYPOTHÈSE DE TOUTE AUTRE OBLIGATION OU RESPONSABILITÉ EN RELATION AVEC CE PRODUIT.

La présente garantie limitée vous accorde des droits juridiques spécifiques. Vous pouvez également jouir d'autres droits, lesquels peuvent varier d'un état à l'autre. Certains États n'autorisent pas l'exclusion ou la limitation de dommages indirects ou accessoires.



833 West Diamond St, Boise, Idaho 83705

Le Service Client États-Unis 800-635-5900

Royaume-Uni +44 (0)113 237 5340 | AUS +61 (0)3 63322444

ECCOESG.com

An ECCO SAFETY GROUP™ Brand

ECCOSAFETYGROUP.com