

IMPORTANT! Read all instructions before installing and using. Installer: This manual must be delivered to the end user.

WARNING!
 Failure to install or use this product according to manufacturer's recommendations may result in property damage, serious injury, and/or death to those you are seeking to protect!

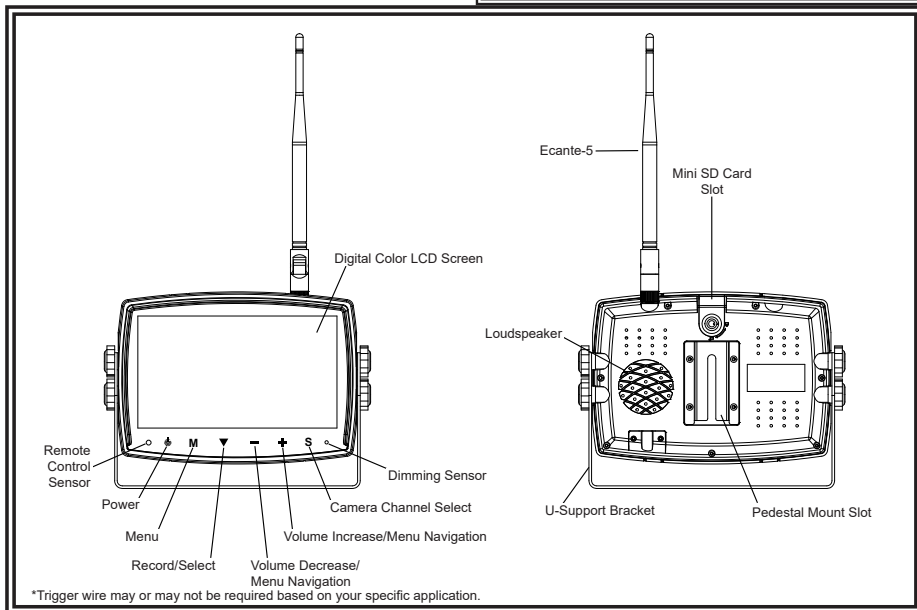
Do not install and/or operate this safety product unless you have read and understood the safety information contained in this manual.

- Proper installation combined with operator training in the use, care, and maintenance of emergency warning devices are essential to ensure the safety of emergency personnel and the public.
- Emergency warning devices often require high electrical voltages and/or currents. Exercise caution when working with live electrical connections.
- This product must be properly grounded. Inadequate grounding and/or shorting of electrical connections can cause high current arcing, which can cause personal injury and/or severe vehicle damage, including fire.
- Proper placement and installation is vital to the performance of this warning device. Install this product so that output performance of the system is maximized and the controls are placed within convenient reach of the operator so that they can operate the system without losing eye contact with the roadway.
- Do not install this product or route any wires in the deployment area of an air bag. Equipment mounted or located in an air bag deployment area may reduce the effectiveness of the air bag or become a projectile that could cause serious personal injury or death. Refer to the vehicle owner's manual for the air bag deployment area. It is the responsibility of the user/operator to determine a suitable mounting location ensuring the safety of all passengers inside the vehicle particularly avoiding areas of potential head impact.
- It is the responsibility of the vehicle operator to ensure daily that all features of this product work correctly. In use, the vehicle operator should ensure the projection of the warning signal is not blocked by vehicle components (i.e., open trunks or compartment doors), people, vehicles or other obstructions.
- The use of this or any other warning device does not ensure all drivers can or will observe or react to an emergency warning signal. Never take the right-of-way for granted. It is the vehicle operator's responsibility to be sure they can proceed safely before entering an intersection, drive against traffic, respond at a high rate of speed, or walk on or around traffic lanes.
- This equipment is intended for use by authorized personnel only. The user is responsible for understanding and obeying all laws regarding emergency warning devices. Therefore, the user should check all applicable city, state, and federal laws and regulations. The manufacturer assumes no liability for any loss resulting from the use of this warning device.

Installation, Wiring and Function

CAMERA SYSTEM MODEL EC7008-WK2 OPERATING INSTRUCTIONS:

CAUTION!
 When drilling into any vehicle surface, make sure that the area is free from any electrical wires, fuel lines, vehicle upholstery, etc. that could be damaged.



WARNING!

1. Please align the remote control with the remote signal receiver window to operate.
2. Never disassemble the remote control or allow it to drop or get wet.

WIRING INSTRUCTIONS:

Important! Waterproof all connections whether inside or outside the vehicle by using sealant and wrapping with insulation tape. Wrap tape tightly, overlapping by one-half widths so there are no gaps.

Notes:

1. Larger wires and tight connections will provide longer service life for components. For high current wires it is recommended that terminal blocks or soldered connections be used with shrink tubing to protect the connections. Do not use insulation displacement connectors (e.g., 3M Scotchlock type connectors)
2. Route wiring using grommets and sealant when passing through compartment walls. Minimize the number of splices to reduce voltage drop. High ambient temperatures (e.g., under-hood) will significantly reduce the current carrying capacity of wires, fuses, and circuit breakers. All wiring should conform to the minimum wire size and other recommendations of the manufacturer and be protected from moving parts and hot surfaces. Loops, grommets, cable ties, and similar installation hardware should be used to anchor and protect all wiring.
3. Fuses or circuit breakers should be located as close to the power takeoff points as possible and properly sized to protect the wiring and devices.
4. Particular attention should be paid to the location and method of making electrical connections and splices to protect these points from corrosion and loss of conductivity.
5. Ground termination should be only be made to substantial chassis components, preferably directly to the vehicle battery.
6. Circuit breakers are very sensitive to high temperatures and will "false trip" when mounted in hot environments or operated close to their capacity.

The unit is designed for electrical systems from 12 to 24 VDC (10 to 30 VDC extremes). Wiring options are as follows in Figure 1:

All wiring should be a minimum of 26 AWG. A 3-amp fuse in the positive line for the monitor is required.

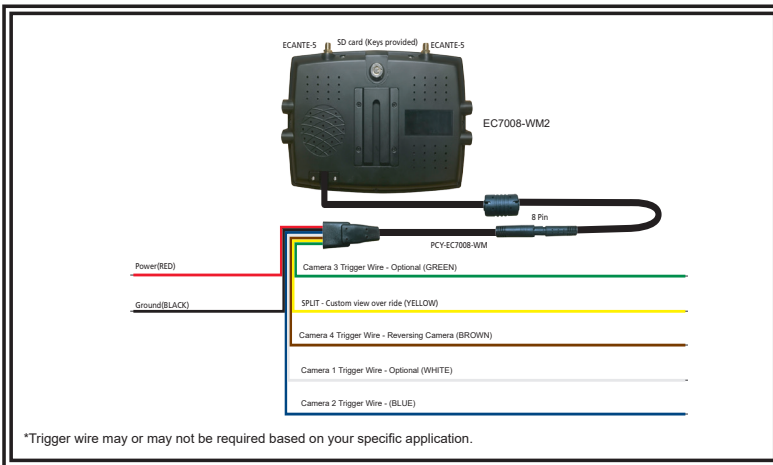


Figure 1



= no/low signal



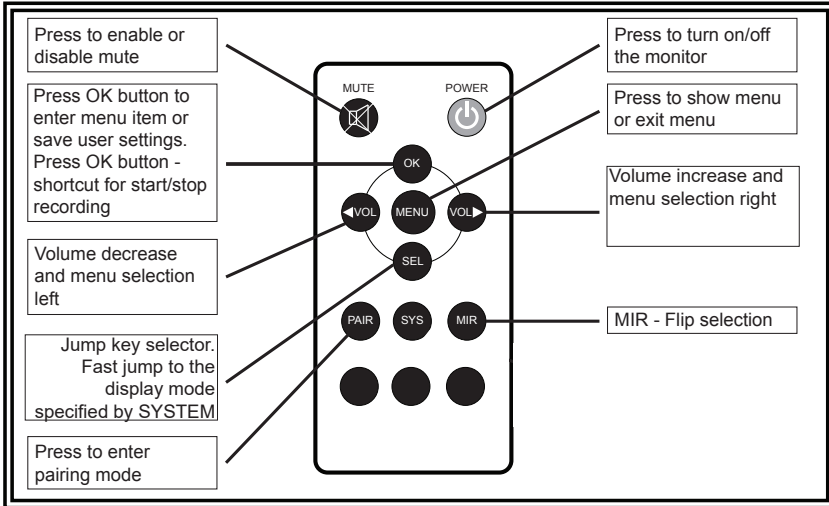
= full signal and you are ready to go to next step

INSTALLATION INSTRUCTIONS:

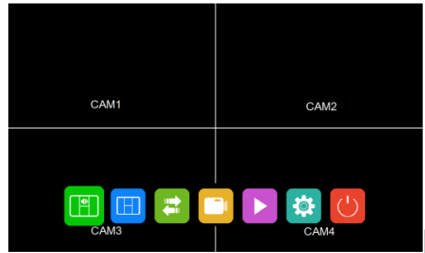
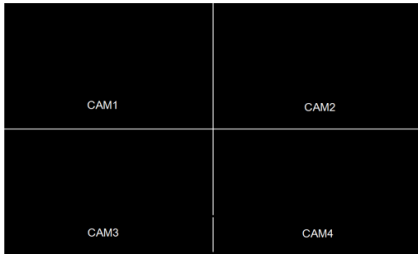
RECOMMENDED TO BENCH TEST PRIOR TO INSTALL to establish placement/priority for cameras.

1. Trim the solder tips to improve connections.
2. Install antenna(s) onto the monitor - twist on.
3. Connect the monitor power cord to the harness by lining up the notches to fully seat over the knob.
4. Power on the monitor by connecting the red to power and black to ground.
5. Monitor will default to H-split view.
6. Follow instructions for pairing to pair the cameras.

MONITOR PARTS IDENTIFICATION

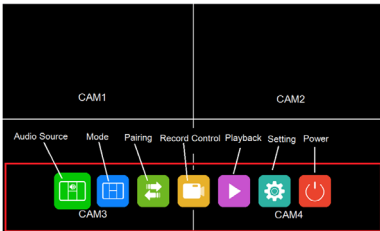


Menu Operation



- Press 'M' button on monitor or 'menu' button on remote control to show menu.
- Press '+' or '-' button on monitor or VOL +/- on remote control to select sub-menu.
- Press ▾ button on monitor or 'OK' on remote control to enter sub-menu.
- Press 'menu' button again to return to the main menu.

Main Menu



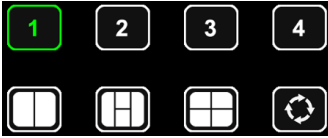
Audio Source



- Select the channel that you want to hear the audio under split view mode.
- Press '+' or '-' button on monitor or VOL +/- on remote control to switch option.
- Press ▾ on the monitor or 'OK' on the remote control to select the channel and exit the menu.



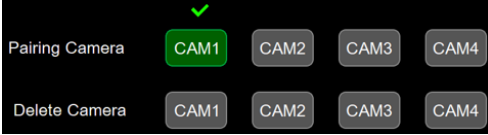
Display Mode



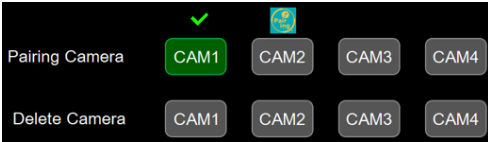
- Select display mode.
 - is auto-scan, automatically switch channel in circle from channel 1 through to .
- Press '+' or '-' button on monitor or VOL +/- on remote control to switch option. Press on monitor or 'OK' on remote control to select the channel and exit the menu.



Pairing



- Pairing Camera: select the channel you want to pair.
- Press '+' or '-' button on monitor or VOL +/- on remote control to switch option.
- Press button on monitor or 'OK' on remote control to start pairing.



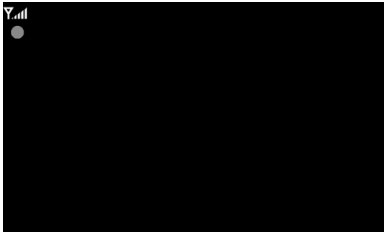
When pairing is in process, there will be pairing icon on top of the correspondent channel.
 Pairing icon will be replaced with a check mark when pairing is successful. If no camera pairs successfully in 20 seconds, the pairing icon will disappear and the pairing process will stop.
 Delete Camera: remove the camera that is already paired to the selected channel.



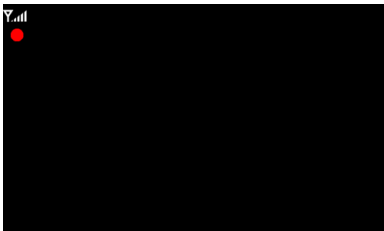
Record Control

- Select to start and stop record.
- Press button on monitor to start record or stop record.

When camera is not connected, press record, a grey dot will appear on the top left, and nothing will be recorded.



When camera is connected, press record, a red dot will appear on the top left, and video is recorded.



Playback



Folder will be automatically increased as record files increase, one folder will contain max. 997 video files, automatically create new folder when one folder is full. The greater the file number, the newer the file, when SD card is full, will start overwrite from the oldest file.

- Press '+' or '-' button on monitor or VOL +/- on remote control to switch option.
- Press button on monitor or 'OK' on remote control to start playback.

Camera	Name	Created	Group Num
CAM1	REC0002.MP4	2021-05-27 15:16	Grp2
CAM1	REC0001.MP4	2021-05-27 15:12	Grp1

1/1

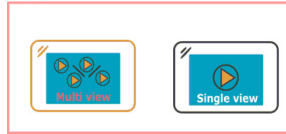
Camera: show the channel that record file belongs to

Name: file name

Create: date and time that the file created

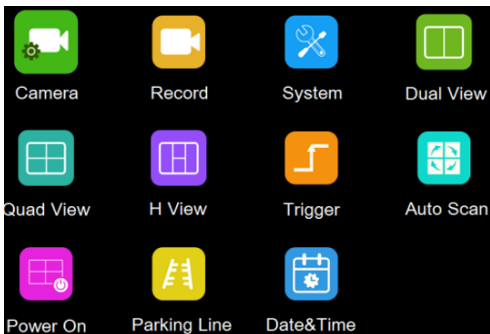
Group Num: group num increases every time start new record, files with same group num are from the same record, eg: 4 channels recorded in quad view at the same time, the four video files for each channel will have the same group num.

Display

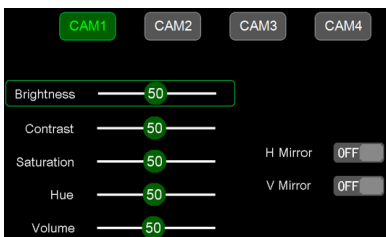


When playback file is recorded under split view, a window will appear to select playback in multiple channel view or single channel view.

Setting



Camera



Please note that these parameters can only be adjusted when camera is connected to correspondent channel

- To select channel, press 'M' button on monitor or 'Menu' on remote control, when the icon background turns green, press '+' or '-' button on monitor or VOL +/- on remote control to switch to the channel you want to set.
- Press ▾ button on monitor or 'OK' on remote control to enter the channel's parameter.
- Press '+' or '-' button on monitor or VOL +/- on remote control to select the parameter to change. A GREEN outline will show on the current selected parameter.
- Press ▾ button on monitor or 'OK' on remote control to select the current parameter. When the outline turns RED, Press (or long press) '+' or '-' button on monitor or VOL +/- on remote control to adjust value, press ▾ button on monitor or 'OK' on remote control, cursor return to green.
- Press 'M' button on monitor or 'Menu' on remote control to return to select channel.
- Press 'M' on monitor or 'menu' on remote control to save and exit menu.

Record



Currently displayed channels are indicated by green lettering. The new selection is indicated by a green background.

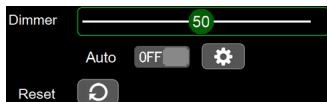
- Press '+' or '-' button on monitor or VOL +/- on remote control to switch on options.
- Press ▾ button on monitor or 'OK' on remote control to select.
- Press 'M' on monitor or 'menu' on remote control to save and exit menu.

Record time: Record duration of each file.

Format SD card: It is suggested to format all SD card when first time use on the monitor.

Power on record: Start recording upon power on monitor.

System



Dimmer value can be adjusted only when Auto is off.

- Select ⚙️ to set day and night dimmer value. Press 'M' on monitor or 'menu' on remote control to save and exit menu.



Day: Adjust the panel brightness in normal light condition.

Night: Adjust the panel brightness in low light condition.

Dual View



- Set camera combination in dual view mode.

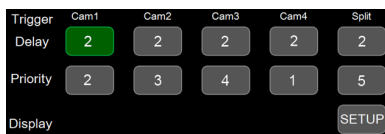
Currently displayed channels are indicated by green lettering. The new selection is indicated by a green background.

- Press '+' or '-' button on monitor or VOL +/- on remote control to switch channel display in dual view.
- Press ▾ button on monitor or 'OK' on remote control to save selection.

Quad View and H View

Same way of operation as Dual View.

Trigger



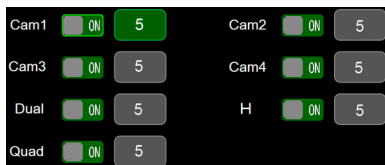
Trigger Delay: Setting range is 1~60s, The trigger delay indicates how long it will take after the trigger wire is disconnected, before the monitor goes back to the original view.

Priority: Setting range is 1~5.

Trigger is in priority over auto scan
Support trigger under standby mode

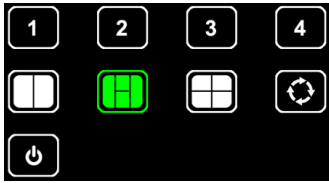
Display: Set trigger to show specific view mode when yellow trigger wire is activated.

AutoScan



Auto scan duration range is 5~60s, The duration indicates how long a camera view will be shown when the monitor is set to auto scan, before cycling to the next camera view. Each camera view can be turned on or off to be included or removed from the auto scan rotation.

Power On

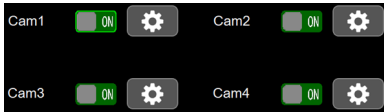


- Select the view you want to show upon power on.
 - Start auto scan upon power on.
 - Enter standby mode (black screen) upon power on.

Icon in green is the one currently selected.

- Press '+' or '-' button on monitor or VOL +/- on remote control to switch option.
- Press ▾ button on monitor or 'OK' on remote control to cancel option, icon turns white if option is canceled, when all options are white, monitor will show the picture from the last time when it was powered off.
- Press 'M' on monitor or 'menu' on remote control to save and exit menu.

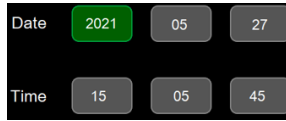
Parking Line



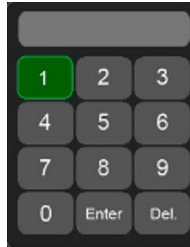
If set on, show reverse label upon trigger the correspondent channel.

- Enter setting to move the label.
- Press '+' or '-' button on monitor or VOL +/- on remote control to move the label right or left.
- Press '+' or '-' button on monitor or VOL +/- on remote control to move the label up or down.
- Press '+' or '-' button on monitor or VOL +/- on remote control to adjust size of label.
- Press ▾ button on monitor or 'OK' on remote control to switch mode.

Date & Time



- Select the correspondent icon to call up keyboard to set date and time.
- Press '+' or '-' button on monitor or VOL +/- on remote control to switch to the number that needs to be adjusted.
- Press ▾ button on monitor or 'OK' on remote control to call up keyboard.
- Press '+' or '-' button on monitor or VOL +/- on remote control to select number one by one.
- Select enter to confirm.



- Touch to select number, touch enter to exit and save.

Power Off



- Select screen off to enter standby mode, monitor will respond upon trigger.
- Select sleep to enter sleep mode, monitor will not respond to trigger.

MONITOR MODEL EC7008-WM2 INSTALLATION AND MOUNTING:



WARNING!

To prevent accidental shock, DO NOT OPEN THE MONITOR CASE. Opening the monitor case will expose the inside of the monitor to conditions that could adversely affect performance. Any evidence of tampering with sealed components will void the warranty.

Important! Do not expose the monitor to water, it is not waterproof. Any water that leaks into the monitor could cause extensive damage.

Carefully remove the unit from its packaging. Examine the unit for transit damage. If damage is found, return the product to your local dealer for warranty replacement. Do not use damaged or broken parts.

U-Bracket Monitor Mounting Instructions

1. Select a level surface for installation.
2. Drill mounting holes using the lower U-bracket as a template and attach the U-bracket with user supplied hardware.
3. Install the monitor on the U-bracket as shown in Figure 2. Adjust the monitor's position for the best viewing angle before tightening the two screws on each end.
4. Attach the sun-visor as shown. Attach the antennas so they point upward as shown in Figure 3.

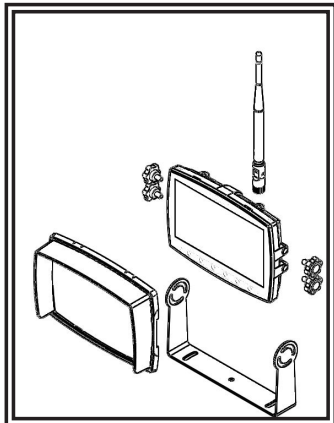


Figure 2

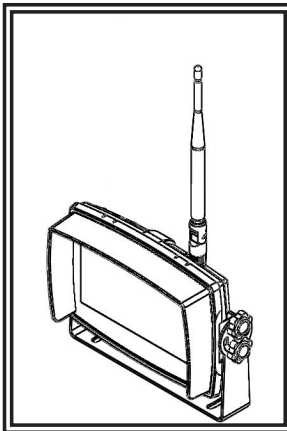


Figure 3

Pedestal Mounting Instructions:

1. Select a level surface for installation.
2. For mounting the pedestal using the adhesive, prep the surface using rubbing alcohol before installation as shown in Figure 4.
3. For mounting the pedestal using screws, drill mounting holes using the pedestal as a template and attach with user supplied hardware.
4. Install the monitor and sun-visor on the pedestal mount as shown in Figure 5. Adjust the monitor's position for best viewing angel before tightening the set screw on the pedestal mount. Attach the antennas so they point upward.

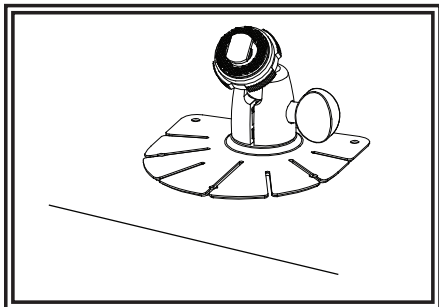


Figure 4

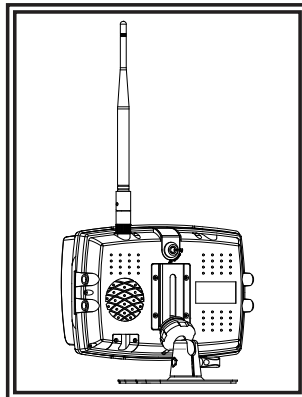


Figure 5

Notes:

1. Larger wires and tight connections will provide longer service life for components. For high current wires it is recommended that terminal blocks or soldered connections be used with shrink tubing to protect the connections. Do not use insulation displacement connectors (e.g., 3M Scotchlock type connectors)
2. Route wiring using grommets and sealant when passing through compartment walls. Minimize the number of splices to reduce voltage drop. High ambient temperatures (e.g., under-hood) will significantly reduce the current carrying capacity of wires, fuses, and circuit breakers. All wiring should conform to the minimum wire size and other recommendations of the manufacturer and be protected from moving parts and hot surfaces. Looms, grommets, cable ties, and similar installation hardware should be used to anchor and protect all wiring.
3. Fuses or circuit breakers should be located as close to the power takeoff points as possible and properly sized to protect the wiring and devices.
4. Particular attention should be paid to the location and method of making electrical connections and splices to protect these points from corrosion and loss of conductivity.
5. Ground termination should be only be made to substantial chassis components, preferably directly to the vehicle battery.
6. Circuit breakers are very sensitive to high temperatures and will "false trip" when mounted in hot environments or operated close to their capacity.

CAMERA MODEL EC2027-WC2 INSTALLATION AND MOUNTING:

Important! Mount the camera at a location that provides the best view of the area immediately behind the vehicle. Generally, mounting locations toward the top of the vehicle provide the best field of view. Lower mounting locations reduce the field of view and increase the likelihood of damage from road spray.

Carefully remove the unit from its packaging. Examine the unit for transit damage. If damage is found, return the product to your local dealer for warranty replacement. Do not use damaged or broken parts.

U-BRACKET CAMERA MOUNTING INSTRUCTIONS:

1. Select a level surface for installation.
2. Drill mounting holes using the lower U-bracket as a template and attach the U-bracket with user supplied hardware.
3. Install the camera and sun-visor on the U-bracket as shown in Figure 6.
4. Adjust the camera's position for the best viewing angle before tightening the two screws on each end.
5. Attach the antenna so that it is vertical as shown in Figure 7.

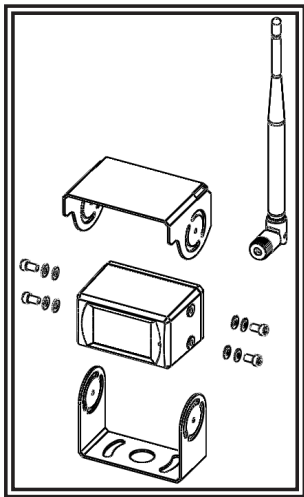


Figure 6

For reference only

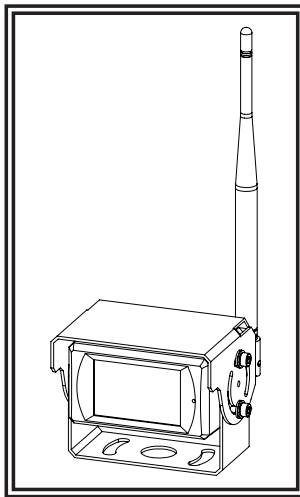


Figure 7

WIRING INSTRUCTIONS:

Important! Waterproof all connections whether inside or outside the vehicle by using sealant and wrapping with insulation tape. Wrap tape tightly, overlapping by one-half widths so there are no gaps.

The unit is designed for electrical systems from 12 to 24 VDC (10 to 30 VDC extremes).
The wiring for all systems is:

Red Wire Positive (+)
Black Wire Negative (-)

All wiring should be a minimum of 20 AWG. A 3-amp fuse in the positive line is required (see Figure 8).

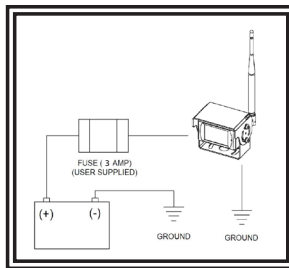


Figure 8

Replacement Parts and Accessories

Description	Part Number
CAMERA	EC2027-WC2
MONITOR	EC7008-WM2
CABLE	PCY-7008-WM
LOW PROFILE ANTENNA	ECANTE-R
REMOTE STICK ANTENNA	ECANTE-8
PEDESTAL MOUNT	MB01
SUN-VISOR	AS7000SS

Specifications:

Camera	EC2027-WC2
Image Device	1/3" CMOS
TV System	PAL/NTSC
Array Size	728x488 Pixels
Sensing Area	4.6228mm x 3.6112mm
Scanning System	2:1 Interlace
Sync. System	Internal
Resolution	500 TV Lines
Min. Illumination	0.1 Lux (day), 0 Lux (with IR)
Microphone	Yes
Video Output	1.0 vp-p, 75 Ohm
AGC	Auto
S/N Ratio	Better than 48 dB
White Balance	Auto
BLC	Auto
Current Consumption	0.5A
Operating Frequency	2400-2483.5-MHz
Transmitting Distance	120M (barrier free)
Decompression Form	MPEG4
Transmit Output Power	17 dBm
RF Bit Rate	4Mbps
Operating Temperature	-20°C~70°C, RH 90% Max.
Storage Temperature	-30°C~80°C, RH 90% Max.

Monitor	EC7008-WK2 7" LCD Monitor
LCD Size	7"
Resolution	1024 x 3 (RGB) x 600
Contrast	800:1
Brightness	600 cd/m ²
Viewing Angle	U: 70 / D: 75, R/L: 75
DOT Pitch	0.0642(W) x 0.1790(H)
Aspect Ratio	0.1506(W) x 0.1432(H)
Operating Frequency	2400 - 2483.5 MHz
Receiving Sensitivity	-78 dBm
Decompression Form	MPEG4
Modulation	2.4G FSK/GFSK/ Line of sight -unobstructed FHSS
Time Delay	170ms
Transmitting Distance	300m
Micro-SD/TF Card	Max. 128G
System Format	PAL/NTSC
Power Supply	DC 10-32V
Power Consumption	Max. 10W
Loudspeaker	1.5W/8
Operating Temperature	-20°~+70°C, RH90%
Storage Temperature	-30°~+80°C, RH90%

Electronics Controls Company "ECCO" (Manufacturer)

ECCO warrants that on the date of purchase, this product will conform to ECCO's specifications for this product (which are available from ECCO upon request). This Limited Warranty extends for twelve (12) months from the date of purchase.

DAMAGE TO PARTS OR PRODUCTS RESULTING FROM TAMPERING, ACCIDENT, ABUSE, MISUSE, NEGLIGENCE, UNAPPROVED MODIFICATIONS, FIRE OR OTHER HAZARD; IMPROPER INSTALLATION OR OPERATION; OR NOT BEING MAINTAINED IN ACCORDANCE WITH THE MAINTENANCE PROCEDURES SET FORTH IN ECCO'S INSTALLATION AND OPERATING INSTRUCTIONS VOIDS THIS LIMITED WARRANTY.

Exclusion of Other Warranties:

ECCO MAKES NO OTHER WARRANTIES, EXPRESSED OR IMPLIED. THE IMPLIED WARRANTIES FOR MERCHANTABILITY, QUALITY OR FITNESS FOR A PARTICULAR PURPOSE, OR ARISING FROM A COURSE OF DEALING, USAGE OR TRADE PRACTICE ARE HEREBY EXCLUDED AND SHALL NOT APPLY TO THE PRODUCT AND ARE HEREBY DISCLAIMED, EXCEPT TO THE EXTENT PROHIBITED BY APPLICABLE LAW. ORAL STATEMENTS OR REPRESENTATIONS ABOUT THE PRODUCT DO NOT CONSTITUTE WARRANTIES.

Remedies and Limitation of Liability:

ECCO'S SOLE LIABILITY AND BUYER'S EXCLUSIVE REMEDY IN CONTRACT, TORT (INCLUDING NEGLIGENCE), OR UNDER ANY OTHER THEORY AGAINST ECCO REGARDING THE PRODUCT AND ITS USE SHALL BE, AT ECCO'S DISCRETION, THE REPLACEMENT OR REPAIR OF THE PRODUCT, OR THE REFUND OF THE PURCHASE PRICE PAID BY BUYER FOR NON-CONFORMING PRODUCT. IN NO EVENT SHALL ECCO'S LIABILITY ARISING OUT OF THIS LIMITED WARRANTY OR ANY OTHER CLAIM RELATED TO THE ECCO'S PRODUCTS EXCEED THE AMOUNT PAID FOR THE PRODUCT BY BUYER AT THE TIME OF THE ORIGINAL PURCHASE. IN NO EVENT SHALL ECCO BE LIABLE FOR LOST PROFITS, THE COST OF SUBSTITUTE EQUIPMENT OR LABOR, PROPERTY DAMAGE, OR OTHER SPECIAL, CONSEQUENTIAL, OR INCIDENTAL DAMAGES BASED UPON ANY CLAIM FOR BREACH OF CONTRACT, IMPROPER INSTALLATION, NEGLIGENCE, OR OTHER CLAIM, EVEN IF ECCO OR A REPRESENTATIVE OF ECCO HAS BEEN ADVISED OF THE POSSIBILITY OF SUCH DAMAGES. ECCO SHALL HAVE NO FURTHER OBLIGATION OR LIABILITY WITH RESPECT TO THE PRODUCT OR ITS SALE, OPERATION AND USE, AND ECCO NEITHER ASSUMES NOR AUTHORIZES THE ASSUMPTION OF ANY OTHER OBLIGATION OR LIABILITY IN CONNECTION WITH SUCH PRODUCT.

This Limited Warranty defines specific legal rights. You may have other legal rights which vary from jurisdiction to jurisdiction. Some jurisdictions do not allow the exclusion or limitation of incidental or consequential damages.

Declaration of conformity:

This device complies with Part 15 of the FCC Rules. Operation is subject to the following two conditions:

- (1) This device may not cause harmful interference.
- (2) This device must accept any interference received, including interference that may cause undesired operation.



833 West Diamond St
Boise, Idaho 83705
800-635-5900
ECCOESG.com


439 Boundary Road
Truganina Victoria, Australia
+61 (0)3 8336 0680
esgapsales@eccogroup.com
ECCOESG.com/au/en

Unit 1, Green Park, Coal Road
Seacroft, Leeds, England LS14 1FB
+44 (0)113 2375340
esguk-code3@eccogroup.com
ECCOESG.com.uk

An ECCO SAFETY GROUP™ Brand
ECCOSAFETYGROUP.com

¡IMPORTANTE! Lea todas las instrucciones antes de instalar y utilizar. Instalador: Este manual se debe entregar al usuario final.

¡ADVERTENCIA!
Si no sigue las instrucciones del fabricante a la hora de instalar o usar el producto, pueden producirse daños materiales, y lesiones graves o incluso mortales a aquellos que pretende proteger!

 **No instale ni opere este producto de seguridad, a menos que haya leído y comprendido la información de seguridad contenida en este manual.**

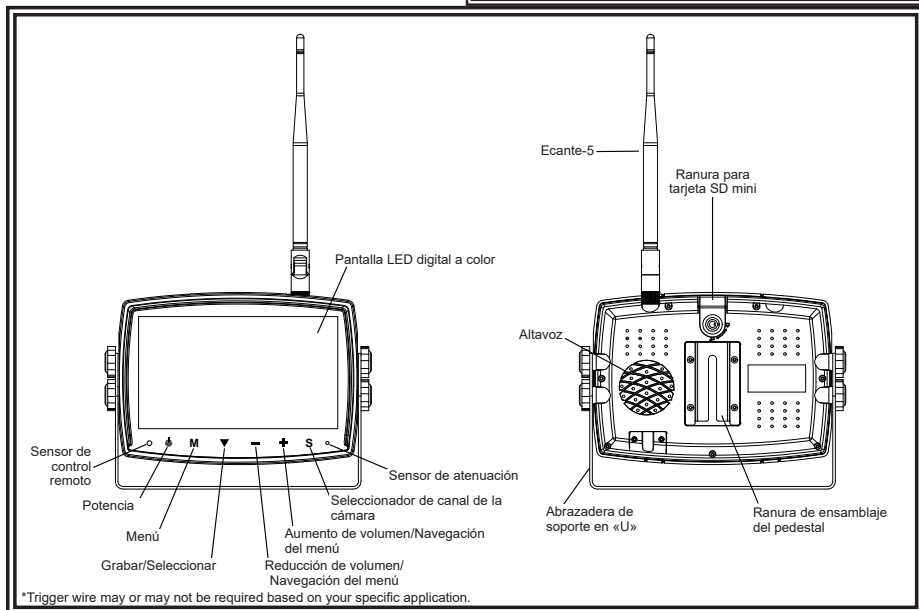
1. Para garantizar su propia seguridad y la de las personas a las que intenta proteger, es esencial una instalación correcta, combinada con la formación de operador en el uso, cuidado y mantenimiento de los dispositivos de alerta de emergencia.
2. Tenga cuidado cuando manipule conexiones eléctricas con corriente.
3. Este producto debe estar conectado a tierra correctamente. Una conexión a tierra incorrecta o unas conexiones eléctricas cortocircuitadas pueden provocar arcos de corriente alta, lo que puede ocasionar lesiones personales o daños graves en el vehículo, incluso un incendio.
4. La colocación e instalación adecuadas son vitales para el buen funcionamiento de este dispositivo de alarma. Instale este producto de forma que permita un rendimiento óptimo del sistema y los controles estén situados de modo que el operador pueda alcanzarlos cómodamente y manejar el sistema sin perder en ningún momento el contacto visual con la calzada.
5. No instale este producto ni coloque los cables en la zona de despliegue de un airbag. Si el equipo se monta o coloca en la zona de despliegue de un airbag, el airbag perderá eficacia o el equipo puede salir despedido, lo cual puede causar lesiones graves o incluso mortales. Consulte el manual del propietario del vehículo para conocer la zona de despliegue de los airbags. El usuario u operador son responsables de determinar una posición de montaje adecuada que garantice la seguridad de todos los ocupantes del vehículo, y deben evitar zonas que puedan provocar golpes en la cabeza.
6. Es responsabilidad del operador del vehículo asegurarse de que todas las características de este producto funcionan correctamente durante su uso. Durante su uso, el operador del vehículo debe asegurarse de que no haya componentes del vehículo (como los maleteros o puertas del habitáculo abiertos), personas, vehículos u otros obstáculos que bloqueen la señal de alarma.
7. El uso de este o cualquier otro dispositivo de alarma no garantiza que los conductores puedan o quieran observar o reaccionar a la señal de alarma. Nunca dé por hecho que tiene prioridad de paso. Es responsabilidad enteramente suya asegurarse de que puede continuar de forma segura antes de entrar en una intersección, conducir en sentido contrario, responder a una gran velocidad o caminar por los carriles de tráfico o cerca de ellos.
8. El uso de este equipo está destinado exclusivamente a personal autorizado. El usuario es responsable de conocer y acatar todas las leyes vigentes relacionadas con dispositivos de señales de advertencia. Por lo tanto, el usuario debe comprobar todas las leyes y normativas de ámbito metropolitano, regional, nacional y cualquier otro ámbito pertinente. El fabricante no asume responsabilidad alguna por pérdidas derivadas del uso de este dispositivo de alarma.

Instalación, cableado y funcionamiento

MODELO DE SISTEMA DE CÁMARA EC7008-WK2

INSTRUCCIONES DE OPERACIÓN:

¡PRECAUCIÓN!
Al perforar cualquier superficie del vehículo, asegúrese de que no haya cables eléctricos, mangueras de combustible, tapicería, etc. en el área que pudiesen dañarse.





¡ADVERTENCIA!

1. Alinee el control remoto con la ventana del receptor de señales remotas para operar.
2. Nunca desensamble el control remoto ni permita que alguien lo deje caer o lo moje.

INSTRUCCIONES DE CABLEADO:

¡Importante! Impermeabilice todas las conexiones, ya sea dentro o fuera del vehículo, usando sellante y envolviéndolas con cinta aislante. Envuelva la cinta bien ajustada, traslapando por anchos de .5, para que no haya espacios sin cinta.

Notas:

1. Los cables más largos y las conexiones bien ajustadas ofrecerán una mayor vida útil a los componentes. Para cables de alta corriente, se recomienda usar bloques de terminales o conexiones soldadas cuando se intube por contracción para proteger las conexiones. No usa conectores de por desplazamiento en aislamiento (p. ej., conectores tipo Scotchlock de 3M)
2. Enrute el cableado utilizando pasacables y sellante cuando atravesie las paredes del compartimento. Minimice el número de empalmes para reducir la caída de tensión. Las temperaturas ambiente altas (p. ej., debajo de la cajuela) reducirán significativamente la capacidad de transmisión de la corriente de cables, fusibles e interruptores. Todo el cableado debe estar en conformidad con el tamaño mínimo de cable y otras recomendaciones del fabricante, además de estar protegido de las partes móviles y las superficies calientes. Deben usarse mangueras, pasacables, amarres de cables y accesorios similares de instalación para anclar y proteger todo el cableado.
3. Los fusibles o interruptores deben ubicarse tan cerca de los puntos de toma de potencia como sea posible y deben ajustarse al tamaño exacto para proteger el cableado y los dispositivos.
4. Se debe prestar atención especial a la ubicación y al método para hacer las conexiones eléctricas y empalmes para proteger estos puntos de la corrosión y la pérdida de conductividad.
5. La puesta a tierra solo debe hacerse a componentes sustanciales del chasis, de preferencia directamente a la batería del vehículo.
6. Los interruptores son muy sensibles a altas temperaturas y "se desconectarán falsamente" cuando se monten en ambientes calientes o se operen cerca de su capacidad.

La unidad ha sido diseñada para sistemas eléctricos que van de 12 a 24 V de CC (extremos de 10 a 30 V de CC).

El cableado para todos los sistemas es:

Alambre rojo - Positivo (+)
Alambre negro - Negativo (-)

Todo cableado debe ser de un mínimo de 20 AWG.

Se requiere un fusible de 3 amps en la línea positiva (ver Figura 3).

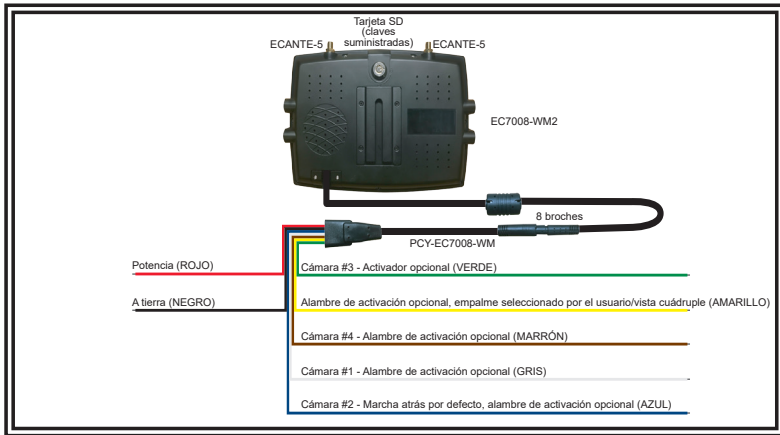


Figura 1



= no/señal baja



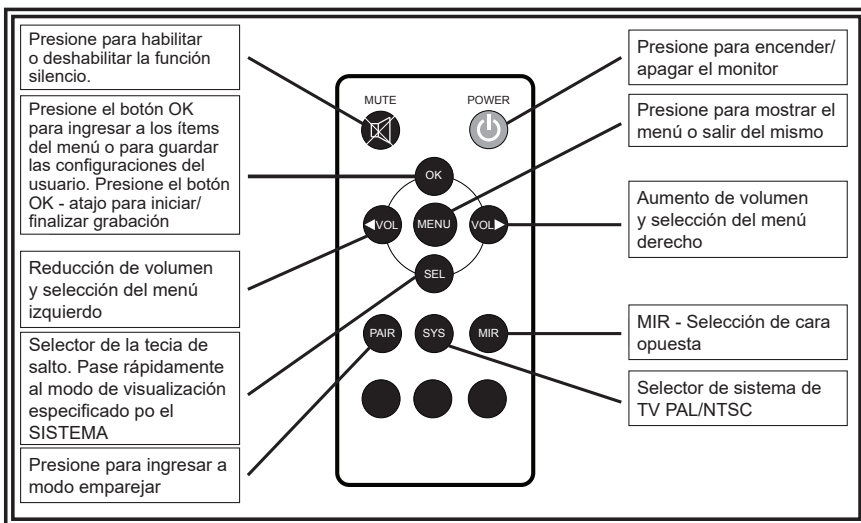
= señal completa y estás listo para ir al siguiente paso

INSTRUCCIONES DE INSTALACIÓN:

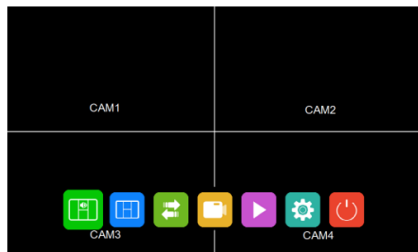
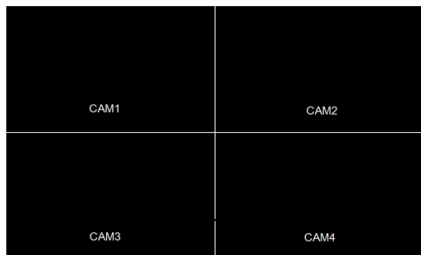
SE RECOMIENDA REALIZAR UNA PRUEBA DE RENDIMIENTO ANTES DE LA INSTALACIÓN para establecer la ubicación de las cámaras y su prioridad.

1. Recorte las puntas de soldadura para mejorar las conexiones
2. Instale ambas antenas en el monitor con acoplamiento giratorio
3. Para conectar el cable de alimentación del monitor al mazo de cables, alinee las muescas para asentarlas por completo sobre la perilla
4. Para encender el monitor, conecte el cable rojo a la alimentación y el cable negro a tierra
5. El monitor pasará de forma predeterminada a Vista Dual en H
6. Siga las instrucciones para emparejar las cámaras

IDENTIFICACIÓN DE LAS PARTES DEL MONITOR

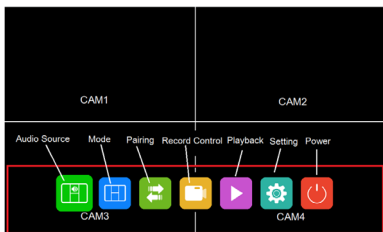


OPERACIÓN DEL MENÚ



- Presione el botón "M" en el monitor o el botón "menu" (Menú) en el control remoto para ver el menú.
- Presione el botón "+" o "-" en el monitor o VOL +/- (Volumen +/-) en el control remoto para seleccionar el submenú.
- Presione el botón "OK" (Aceptar) en el control remoto para ingresar al submenú.
- Presione nuevamente el botón "menu" (Menú) para regresar al menú principal.

Menú Principal



FUENTE DE AUDIO:



- Seleccione el canal en el que desea escuchar el audio en el modo de vista dividida.
- Presione el botón "+" o "-" en el monitor o VOL +/- (Volumen +/-) en el control remoto para cambiar la opción.
- Presione el botón "OK" (Aceptar) en el control remoto para seleccionar el canal y salir del menú.

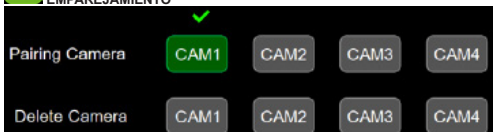


• Seleccione el modo de visualización.

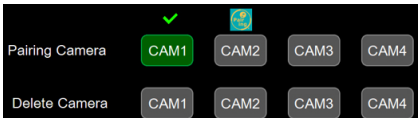
• El icono de exploración automática, cambia automáticamente el canal en el círculo desde el canal 1 hasta el canal 4.

• Presione el botón "+" o "-" en el monitor o VOL +/- (Volumen +/-) en el control remoto para cambiar la opción. Presione el botón "OK" (Aceptar) en el control remoto para seleccionar el canal y salir del menú.

EMPAREJAMIENTO



• Emparejamiento de la cámara: seleccione el canal que desea emparejar.
 • Presione el botón "+" o "-" en el monitor o VOL +/- (Volumen +/-) en el control remoto para cambiar la opción.
 • Presione el botón "OK" en el control remoto para comenzar el emparejamiento.



Cuando el emparejamiento está en progreso, aparecerá un icono de emparejamiento en la parte superior del canal correspondiente. El icono de emparejamiento se reemplazará con una marca de verificación cuando el emparejamiento se realice correctamente. Si no se empareja una cámara correctamente en 20 segundos, el icono de emparejamiento desaparecerá y el proceso de emparejamiento se detendrá.

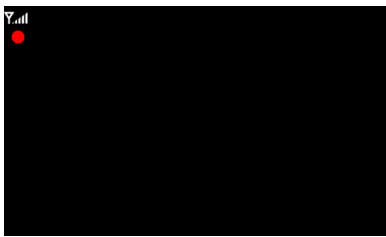
Eliminación de la cámara: quite la cámara que ya está emparejada en el canal seleccionado.

Control de grabación

• Seleccione para iniciar y detener la grabación.
 • Presione el botón "OK" en el monitor para iniciar o detener la grabación.
 Cuando la cámara no está conectada, presione grabar y aparecerá un punto gris en la parte superior izquierda, y no se grabará nada.



Cuando la cámara está conectada, presione grabar y aparecerá un punto rojo en la parte superior izquierda, y se grabará video.



REPRODUCCIÓN



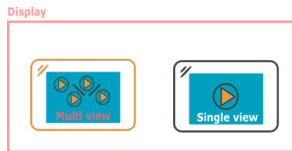
La carpeta se aumentará automáticamente a medida que aumenten los archivos de grabaciones; una carpeta puede contener un máximo de 997 archivos de video y se creará automáticamente una carpeta nueva cuando una carpeta esté llena. Cuanto mayor sea el número del archivo, más nuevo será; cuando la tarjeta SD esté llena, se comenzará a sobrescribir desde el archivo más antiguo.

• Presione el botón "+" o "-" en el monitor o VOL +/- (Volumen +/-) en el control remoto para cambiar la opción.
 • Presione el botón "OK" en el control remoto para comenzar la reproducción.

Camera	Name	Created	Group Num
CAM1	REC0002.MP4	2021-05-27 15:16	Grp2
CAM1	REC0001.MP4	2021-05-27 15:12	Grp1

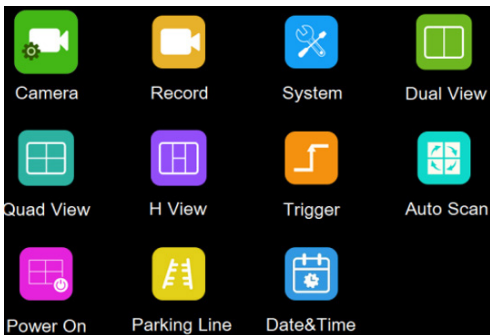
1/1

Camera (Cámara): muestra el canal al que pertenece el archivo de grabación
Name (Nombre): nombre de archivo
Create (Crear): fecha y hora en que se creó el archivo
Group Num (Número de grupo): el número de grupo aumenta cada vez que se inicia una nueva grabación. Los archivos con el mismo número de grupo provienen de la misma grabación, por ejemplo, si se graban 4 canales en la vista cuádruple al mismo tiempo, los cuatro archivos de video para cada canal tendrán el mismo número de grupo.

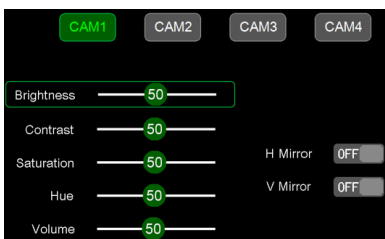


Cuando el archivo de reproducción se graba en vista dividida, aparecerá una ventana para seleccionar la reproducción en vista de varios canales o en vista de un solo canal.

CONFIGURACIÓN



CÁMARA



Tenga en cuenta que estos parámetros solo se pueden ajustar cuando la cámara está conectada al canal correspondiente.

- Para seleccionar un canal, presione el botón "M" en el monitor o "Menu" (Menú) en el control remoto. Cuando el fondo del ícono cambie a color verde, presione el botón "+" o "-" en el monitor o VOL +/- en el control remoto para cambiar al canal que desea configurar.
- Presione ∇ botón en el monitor u "OK" (Aceptar) en el control remoto para ingresar el parámetro del canal.
- Presione el botón "+" o "-" en el monitor o VOL +/- (Volumen +/-) en el control remoto para cambiar la opción. Se mostrará un contorno VERDE en el parámetro seleccionado actualmente parámetro del canal.
- Presione ∇ botón en el monitor u "OK" (Aceptar) en el control remoto para seleccionar el parámetro actual. Cuando el contorno se ponga ROJO, presione (o mantenga presionado) el botón "+" o "-" en el
- monitor o VOL +/- en el control remoto para ajustar el valor; presione ∇ botón en el monitor u "OK" en el control remoto, el cursor vuelve al color verde.
- Presione el botón "M" en el monitor o "Menu" (Menú) en el control remoto para volver a seleccionar el canal.
- Presione "M" en el monitor o "menu" (Menú) en el control remoto para guardar y salir del menú.

GRABAR:



Los canales que se muestran actualmente se indican con letras verdes. La nueva selección se indica con un fondo verde.

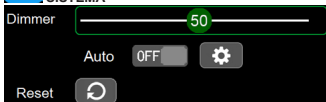
- Presione el botón "+" o "-" en el monitor o VOL +/- (Volumen +/-) en el control remoto para cambiar las opciones.
- Presione el botón en el monitor u "OK" (Aceptar) en el control remoto para seleccionar.
- Presione "M" en el monitor o "menu" (Menú) en el control remoto para guardar y salir del menú.

Tiempo de grabación: duración de la grabación en cada archivo.

Formatear tarjeta SD: se sugiere formatear toda la tarjeta SD cuando se utilice por primera vez en el monitor

Grabar al encender: Inicia la grabación cuando se enciende el monitor.

SISTEMA



El valor de atenuación se puede ajustar solo cuando la opción automática está desactivada.

- Seleccione ∇ para configurar el valor de atenuación de día y de noche. Presione "M" en el monitor o "menu" (Menú) en el control remoto para guardar y salir del menú.



Día: Ajuste el brillo del panel en condiciones de luz normal.

Noche: Ajuste el brillo del panel en condiciones de poca luz.

VISTA DOBLE:

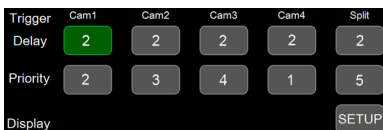


- Establece la combinación de la cámara en el modo de visualización doble. Los canales que se muestran actualmente se indican con letras verdes. La nueva selección se indica con un fondo verde.
- Presione el botón "+" o "-" en el monitor o VOL +/- (Volumen +/-) en el control remoto para cambiar la visualización del canal a la vista doble.
- Presione ∇ botón en el monitor u "OK" en el control remoto para guardar la selección.

VISTA CUÁDRUPLE Y VISTA EN H

La misma forma de funcionamiento que la vista doble.

ACTIVADOR



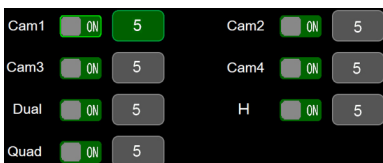
Demora de activación: el rango de configuración es de 1 a 60 s. La demora de activación indica cuánto tiempo tomará después de desconectar el cable de activación antes de que el monitor vuelva a la vista original.

Prioridad: El rango de configuración es de 1 a 5.

El activador tiene prioridad sobre el escaneo automático. Admite activación en el modo de espera

Pantalla: configura el activador para que muestre el modo de vista específico cuando el cable de activación amarillo se active.

EXPLORACIÓN AUTOMÁTICA:



El rango de duración del escaneo automático es de 5 a 60 s. La duración indica cuánto tiempo se mostrará una vista de la cámara cuando el monitor esté configurado para escaneo automático, antes de pasar a la siguiente vista de cámara. Cada vista de la cámara se puede activar o desactivar para incluir o eliminar de la rotación de escaneo automático.

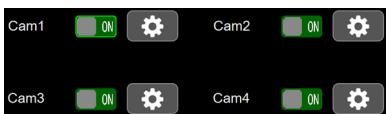


- Seleccione la vista que desea mostrar tras el encendido.
- Inicie la exploración automática tras el encendido.
- Ingrese al modo de espera (pantalla negra) tras el encendido.

El ícono en verde es el que está seleccionado actualmente.

- Presione el botón "+" o "-" en el monitor o VOL +/- (Volumen +/-) en el control remoto para cambiar la opción.
- Presione el botón "OK" en el control remoto para cancelar la opción, el ícono cambia a color blanco si la opción se cancela, cuando todas las opciones se ven en color blanco, el monitor mostrará la imagen desde la última vez que se apagó.
- Presione "M" en el monitor o Menú en el control remoto para guardar y salir del menú.

LÍNEA DE ESTACIONAMIENTO



Si se encuentra activada, muestra la etiqueta inversa tras activar el canal correspondiente.

- Ingrese la configuración para mover la etiqueta.
- Presione el botón "+" o "-" en el monitor o VOL +/- (Volumen +/-) en el control remoto para mover la etiqueta a la derecha o a la izquierda.
- Presione el botón "+" o "-" en el monitor o VOL +/- (Volumen +/-) en el control remoto para mover la etiqueta hacia arriba o hacia abajo.
- Presione el botón "+" o "-" en el monitor o VOL +/- (Volumen +/-) en el control remoto para ajustar el tamaño de la etiqueta.
- Presione el botón "OK" (Aceptar) en el control remoto para cambiar de modo.

MODELO DEL MONITOR EC7008-WM2 INSTALACIÓN Y ENSAMBLAJE:

¡ADVERTENCIA!
Para evitar una descarga accidental, **NO ABRA EL COMPARTIMIENTO DEL MONITOR.** Abrir el compartimiento del monitor expondrá las partes internas del monitor, lo cual podría afectar el rendimiento de forma negativa. Cualquier evidencia de manipulación de los componentes sellados, anulará la garantía.

¡Importante! No exponga el monitor al agua, no es impermeable. Cualquier cantidad de agua que se filtre hacia el monitor podría causar un daño grave.

Retire cuidadosamente la unidad de su empaque. Examine la unidad para ver si se ha dañado en el tránsito. Si encuentra algún daño, retorne el producto a su distribuidor local para un reemplazo dentro de la garantía. No use partes rotas o dañadas.

Instrucciones de montaje del monitor con abrazadera en "U"

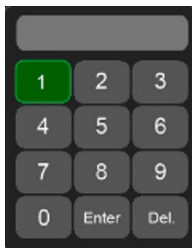
1. Seleccione una superficie nivelada para la instalación.
2. Taladre los orificios de montaje usando la abrazadera en "U" inferior como patrón y fije esta abrazadera con los accesorios suministrados al usuario.
3. Instale el monitor en la abrazadera en "U" como se muestra en la Figura 2. Ajuste la posición del monitor para conseguir el mejor ángulo de visualización antes de ajustar los dos tornillos a cada extremo.
4. Fije el visor de sol como se muestra. Fije las antenas para que apunten hacia arriba.

FECHA Y HORA:



Seleccione el ícono correspondiente para que se abra el teclado y establecer la fecha y la hora.

- Presione el botón "+" o "-" en el monitor o VOL +/- (Volumen +/-) en el control remoto para cambiar al número que se debe ajustar.
- Presione el botón "OK" (Aceptar) en el control remoto para que se abra el teclado.
- Presione el botón "+" o "-" en el monitor o VOL +/- (Volumen +/-) en el control remoto para seleccionar el número uno por uno.
- Seleccione Enter (Intro) para confirmar.



- Toque para seleccionar un número, toque Enter (Intro) para salir y guardar.

APAGADO:



- Seleccione "screen off" (apagar pantalla) para ingresar al modo de espera; el monitor responderá tras la activación.
- Seleccione "sleep" (suspender) para ingresar al modo de suspensión; el monitor no responderá a la activación.

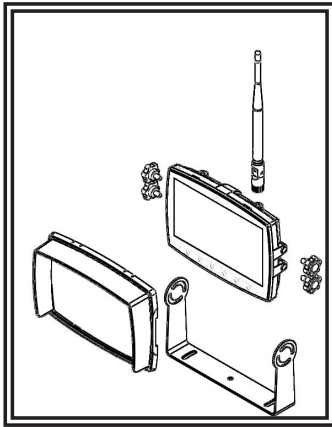


Figura 2

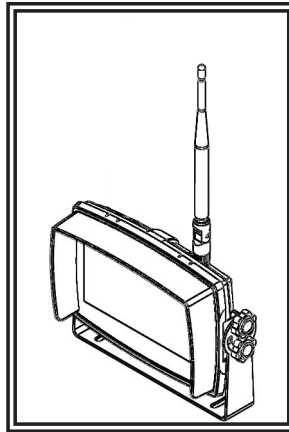


Figura 3

Instrucciones de ensamblaje del pedestal:

1. Seleccione una superficie nivelada para la instalación.
2. Para ensamblar el pedestal usando el adhesivo, prepare la superficie usando alcohol isopropílico antes de la instalación.
3. Para ensamblar el pedestal usando tornillos, taladre orificios de montaje usando el pedestal como patrón y fjelo con los accesorios suministrados al usuario.
4. Instale el monitor y el visor de sol en el pedestal como se muestra en la Figura 5. Ajuste la posición del monitor para conseguir el mejor ángulo de visualización antes de ajustar el tornillo fijo en el montaje del pedestal. Fije las antenas para que apunten hacia arriba.

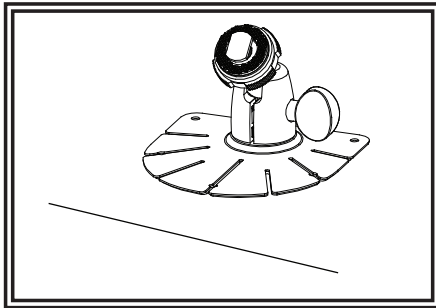


Figura 4

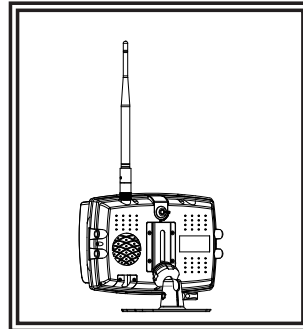


Figura 5

Notas:

1. Los cables más largos y las conexiones bien ajustadas ofrecerán una mayor vida útil a los componentes. Para cables de alta corriente, se recomienda usar bloques de terminales o conexiones soldadas cuando se intube por contracción para proteger las conexiones. No usa conectores de por desplazamiento en aislamiento (p. ej., conectores tipo Scotchlock de 3M)
2. Enrute el cableado utilizando pasacables y sellante cuando atraviese las paredes del compartimento. Minimice el número de empalmes para reducir la caída de tensión. Las temperaturas ambiente altas (p. ej., debajo de la cajuela) reducirán significativamente la capacidad de transmisión de la corriente de cables, fusibles e interruptores. Todo el cableado debe estar en conformidad con el tamaño mínimo de cable y otras recomendaciones del fabricante, además de estar protegido de las partes móviles y las superficies calientes. Deben usarse mangueras, pasacables, amarres de cables y accesorios similares de instalación para anclar y proteger todo el cableado.
3. Los fusibles o interruptores deben ubicarse tan cerca de los puntos de toma de potencia como sea posible y deben ajustarse al tamaño exacto para proteger el cableado y los dispositivos.
4. Se debe prestar atención especial a la ubicación y al método para hacer las conexiones eléctricas y empalmes para proteger estos puntos de la corrosión y la pérdida de conductividad.
5. La puesta a tierra solo debe hacerse a componentes sustanciales del chasis, de preferencia directamente a la batería del vehículo.
6. Los interruptores son muy sensibles a altas temperaturas y "se desconectarán falsamente" cuando se monten en ambientes calientes o se operen cerca de su capacidad.

Repuestos y accesorios

Descripción	Número de parte
CÁMARA	EC2027-WC2
MONITOR	EC7008-WM2
CABLE	PCY-7008-WM
ANTENA DE BAJO PERFIL	ECANTE-R
ANTENA DE PALANCA REMOTA	ECANTE-8
ENSAMBLAJE DE PEDESTAL	MB01
VISOR DE SOL	AS7000SS

CÁMERA MODÈLE EC2027-WC2 INSTALLATION ET MONTAGE :

¡Importante! Monte la cámara en el lugar que ofrezca la mejor vista del área que se encuentra directamente detrás del vehículo. Generalmente, los lugares de montaje hacia la parte superior del vehículo ofrecen el mejor campo de visión. Los lugares de montaje inferiores reducen el campo de visión y aumentan la probabilidad de daño ante las salpicaduras de la carretera.

Retire cuidadosamente la unidad de su empaque. Examine la unidad para ver si se ha dañado en el tránsito. Si encuentra algún daño, retorne el producto a su distribuidor local para un reemplazo dentro de la garantía. No use partes rotas o dañadas.

INSTRUCCIONES DE MONTAJE DE LA CÁMERA CON ABRAZADERA EN «U»:

1. Seleccione una superficie nivelada para la instalación.
2. Taladre los orificios de montaje usando la abrazadera en «U» inferior como patrón y fije esta abrazadera con los accesorios suministrados al usuario.
3. Instale la cámara y el visor de sol en la abrazadera en «U» como se muestra en la Figura 6.
4. Ajuste la posición de la cámara para conseguir el mejor ángulo de visualización antes de ajustar los dos tornillos a cada extremo.
5. Fije la antena de tal forma que esté vertical.

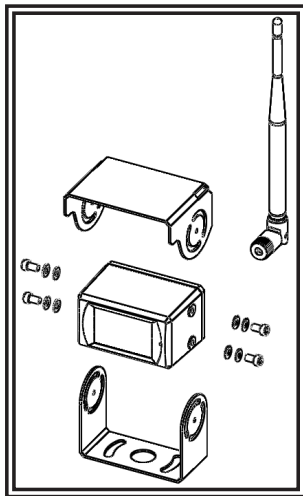


Figura 6

Solo para referencia

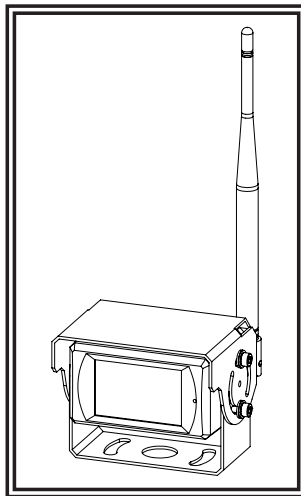


Figura 7

INSTRUCCIONES DE CABLEADO:

¡Importante! Impermeabilice todas las conexiones, ya sea dentro o fuera del vehículo, usando sellante y envolviéndolas con cinta aislante. Envuelva la cinta bien ajustada, traslapando por anchos de 1.5, para que no haya espacios sin cinta.

La unidad ha sido diseñada para sistemas eléctricos que van de 12 a 24 V de CC (extremos de 10 a 30 V de CC).

En la Figura 8 se observan las opciones de cableado:

Todo cableado debe ser de un mínimo de 26 AWG. Se requiere un fusible de 3 amps en la línea positiva para el monitor.

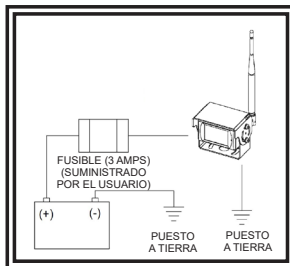


Figura 8

Especificaciones:

Cámara	EC2027-WC2
Dispositivo de imágenes	1/3" CMOS
Sistema de TV	PAL/NTSC
Dimensión de la matriz	728x488 píxeles
Área de sensibilidad	4.6228mm x 3.6112mm
Sistema de exploración	Entrelazado 2:1
Sistema de sincronización	Interno
Resolución	500 líneas de TV
Iluminación mín.	0.1 lux (día), 0 lux (con RI)
Microfono	Sí
Salida de video	1.0 vp-p, 75 Ohm
AGC	Auto
Relación señal/ruido	Mejor que 48 dB
Balance de blancos	Automático
Compensación de luz de fondo	Automático
Consumo de corriente	Máx. 250mA a 12V/140mA a 24V
Frecuencia de operación	2400-2483.5-MHz
Distancia de transmisión	120M (libre de obstáculos)
Forma de descompresión	MPEG4
Potencia de salida de transmisión	17 dBm
Velocidad binario de RF	4Mbps
Temperatura de operación	-20°C~70°C, RH 90% Máx.
Temperatura de Almacenamiento	-30°C~80°C, RH 90% Máx.

Monitor	Monitor LCD EC7008-WK2 de 7"
Tamaño de pantalla LCD	7"
Resolución	1024 x 3 (RGB) x 600
Contraste	800:1
Brillo	600 cd/m ²
Ángulo de visualización	U: 70 / D: 75, R/L: 75
Tamaño de punto	0.0642 (A) x 0.1790 (H)
Relación de aspecto	0.1506 (W) x 0.1432 (H)
Frecuencia de operación	2400 - 2483.5 MHz
Sensibilidad de recepción	-89 dBm
Forma de descompresión	MPEG4
Modulación	2.4G FSK/GFSK/Línea de visión-despejado FHSS
Retraso de tiempo	170ms
Distancia de transmisión	300 M
Tarjeta SD/TF micro	Máx. 128GB
Suministro de energía	CC 10-32V
Consumo de energía	Máx. 6W
Allavoz	1.5W/8
Temperatura de operación	-20°~+70°C, RH90%
Temperatura de Almacenamiento	-30°~+80°C, RH90%

Garantía limitada del fabricante y restricción de la responsabilidad:

El fabricante garantiza que en la fecha de compra este producto cumplirá con las especificaciones del fabricante para este producto (que el fabricante pone a su disposición si se solicitan). Esta garantía limitada se extiende por treinta y seis (36) meses a partir de la fecha de compra.

EL DAÑO A LAS PIEZAS O LOS PRODUCTOS CAUSADO POR LA ALTERACIÓN, ACCIDENTE, ABUSO, MAL USO, NEGLIGENCIA, MODIFICACIONES NO AUTORIZADAS, FUEGO U OTRO PELIGRO; INSTALACIÓN U OPERACIÓN INCORRECTAS; O NO REALIZAR EL MANTENIMIENTO DE ACUERDO CON LOS RECOMENDADOS DE MANTENIMIENTO ESTABLECIDOS EN LAS INSTRUCCIONES DE INSTALACIÓN Y DE OPERACIÓN DEL FABRICANTE ANULA ESTA GARANTÍA LIMITADA.

Exclusión de otras garantías:

EL FABRICANTE NO OFRECE NINGUNA OTRA GARANTÍA, EXPRESA O IMPLÍCITA. LAS GARANTÍAS IMPLÍCITAS DE COMERCIABILIDAD, CALIDAD O IDONEIDAD PARA UN OBJETIVO PARTICULAR, O QUE SURJAN DE UNA TRANSACCIÓN, USO O PRÁCTICA DE COMERCIO QUEDAN EXCLUIDAS POR MEDIO DE LA PRESENTE Y NO SERÁN VÁLIDAS PARA EL PRODUCTO, Y SE ANULAN POR MEDIO DE LA PRESENTE, EXCEPTO EN LA MEDIDA EN QUE LO PROHIBAN LAS LEYES VIGENTES. LAS DECLARACIONES VERBALES O REPRESENTACIONES SOBRE EL PRODUCTO NO CONSTITUYEN GARANTÍAS.

Compensaciones y restricción de la responsabilidad:

LA ÚNICA RESPONSABILIDAD DEL FABRICANTE Y LA ÚNICA Y EXCLUSIVA COMPENSACIÓN DEL COMPRADOR EN VIRTUD DE UN CONTRATO, POR ILÍCITO CIVIL O SEGÚN CUALQUIER SUPUESTO EN CONTRA DEL FABRICANTE RESPECTO AL PRODUCTO Y SU USO SERÁ EL REEMPLAZO O LA REPARACIÓN DEL PRODUCTO, O EL REEMBOLSO DEL PRECIO DE COMPRA PAGADO QUE HAYA PAGADO EL COMPRADOR POR EL PRODUCTO QUE NO CUMPLE CON LOS REQUISITOS, EN NINGÚN CASO LA RESPONSABILIDAD DEL FABRICANTE QUE SURJA DE ESTA GARANTÍA LIMITADA O POR CUALQUIER OTRA RECLAMACIÓN RELACIONADA CON LOS PRODUCTOS DEL FABRICANTE EXCEDERÁ LA CANTIDAD QUE EL COMPRADOR PAGO POR EL PRODUCTO EN EL MOMENTO DE LA COMPRA ORIGINAL. EN NINGÚN CASO EL FABRICANTE SERÁ RESPONSABLE POR LUCRO CESANTE, EL COSTO DE LA SUSTITUCIÓN DEL EQUIPO O LA MANO DE OBRA, DAÑOS A LA PROPIEDAD U OTROS DAÑOS ESPECIALES, CONSECUENCIALES O INCIDENTALES QUE SE BASEN EN CUALQUIER RECLAMACIÓN POR INCUMPLIMIENTO DE CONTRATO, INSTALACIÓN INAPROPIADA, NEGLIGENCIA O DE OTRO TIPO, INCLUSO SI SE LE HA INFORMADO AL FABRICANTE O A UN REPRESENTANTE DEL FABRICANTE SOBRE LA POSIBILIDAD DE QUE OCURRAN TALES DAÑOS. EL FABRICANTE NO TENDRÁ NINGUNA OTRA OBLIGACIÓN O RESPONSABILIDAD CON RESPECTO AL PRODUCTO O SU VENTA, OPERACIÓN Y USO, Y EL FABRICANTE NO ASUME NI AUTORIZA EL SUPUESTO DE CUALQUIER OTRA OBLIGACIÓN O RESPONSABILIDAD EN RELACIÓN CON DICHO PRODUCTO.

Esta garantía limitada define derechos legales específicos. Usted puede tener otros derechos legales que varían de una jurisdicción a otra. Algunas jurisdicciones no permiten la exclusión ni la limitación de daños incidentales o consecuenciales.

Declaración de conformidad:

Este dispositivo cumple con la Parte 15 de las Reglas de la FCC. La operación está sujeta a las siguientes dos condiciones:

- (1) Este dispositivo no puede causar interferencias dañinas.
- (2) Este dispositivo debe aceptar cualquier interferencia recibida, incluyendo interferencias que puedan causar una operación indeseada.



833 West Diamond St
Boise, Idaho 83705
800-635-5900
ECCOESG.com

Unit 1, Green Park, Coal Road
Seacroft, Leeds, England LS14 1FB
+44 (0)113 2375340
esguk-code3@eccogroup.com
ECCOESG.co.uk

An ECCO SAFETY GROUP™ Brand
ECCOSAFETYGROUP.com

IMPORTANT! Lisez toutes les instructions avant d'installer et d'utiliser le produit. Installateur : ce manuel doit être remis à l'utilisateur final.



AVERTISSEMENT!

Le non-respect des recommandations du fabricant au cours de l'installation ou de l'utilisation de ce produit peut entraîner des dommages matériels et causer à ceux que vous souhaitez protéger des blessures graves, voire mortelles!



N'installez pas et/ou n'utilisez pas ce produit de sécurité avant d'avoir lu et compris les consignes de sécurité fournies.

1. Pour garantir votre sécurité et celle des autres, il est essentiel que le produit soit correctement installé et que l'opérateur soit formé à l'utilisation, l'entretien et la maintenance des dispositifs d'avertissement d'urgence.
2. Manipulez les connexions électriques sous tension avec prudence.
3. Ce produit doit être correctement mis à la masse. Une mise à la masse inadéquate ou un court-circuit des connexions électriques peut provoquer l'apparition d'un arc électrique haute tension, susceptible de causer des blessures corporelles ou des dommages graves sur le véhicule, ainsi qu'un incendie.
4. Une installation et un positionnement corrects sont essentiels au bon fonctionnement de ce dispositif d'avertissement. Installez ce produit de manière à optimiser les performances de sortie du système et de sorte que les commandes soient à portée de main de l'opérateur, afin qu'il puisse utiliser le système sans perdre le contact visuel avec la chaussée.
5. N'installez pas ce produit dans la zone de déploiement d'un airbag ; n'acheminez pas non plus de câbles dans cette zone. Tout équipement monté ou situé dans la zone de déploiement d'un airbag est susceptible de réduire l'efficacité de cet airbag ou de devenir un projectile pouvant causer des blessures graves, voire mortelles. Reportez-vous au manuel d'utilisation du véhicule pour en savoir davantage sur la zone de déploiement de l'airbag. Il incombe à l'utilisateur/à l'opérateur de définir un emplacement de montage approprié assurant la sécurité de tous les passagers à l'intérieur du véhicule, en évitant en particulier les zones d'impact potentiel de la tête.
6. Il incombe à l'opérateur du véhicule de s'assurer que toutes les fonctionnalités de ce produit fonctionnent correctement au cours de l'utilisation. Lorsque le produit est en cours d'utilisation, l'opérateur du véhicule doit s'assurer que le signal d'avertissement n'est pas inhibé par des composants du véhicule (comme un coffre ou des portes de compartiment ouverts), des personnes, des véhicules ou d'autres éléments.
7. L'utilisation de ce dispositif d'avertissement ou de tout autre dispositif similaire ne garantit pas que tous les conducteurs observeront un signal d'avertissement ou réagiront à ce signal. Ne prenez jamais la priorité pour acquies. Il est de votre responsabilité de vous assurer que vous pouvez vous déplacer en toute sécurité avant de vous engager dans une intersection, de conduire en sens inverse de la circulation, de réagir à une vitesse élevée et de marcher sur ou autour des voies de circulation.
8. Cet équipement est destiné uniquement au personnel autorisé. Il incombe à l'utilisateur de comprendre et de respecter toutes les lois relatives aux dispositifs de signalisation d'avertissement. Par conséquent, l'utilisateur doit s'informer sur toutes les lois et réglementations en vigueur dans la ville, la région et le pays où il se trouve. Le fabricant décline toute responsabilité en cas de perte découlant de l'utilisation de ce dispositif d'avertissement.

Installation, câblage et fonction

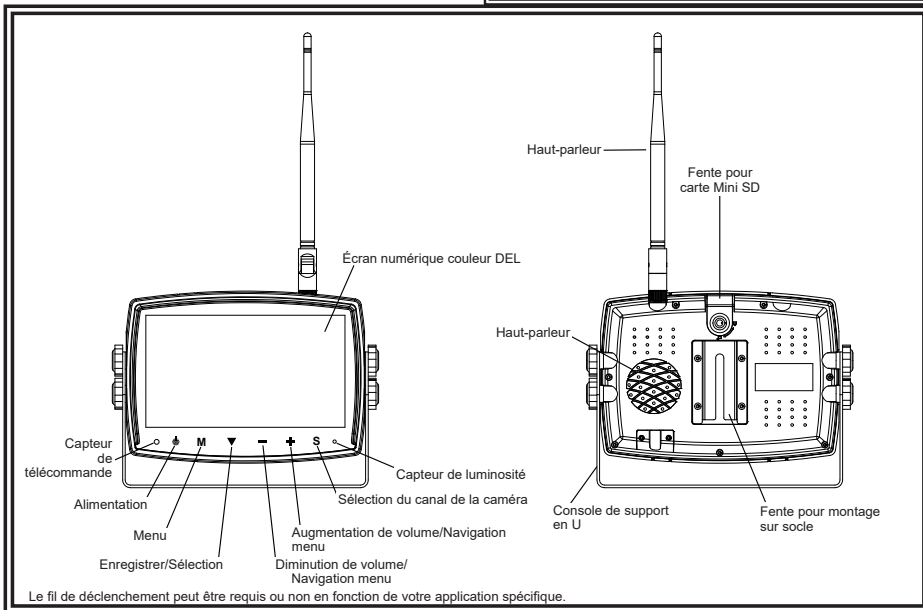


ATTENTION!

Lorsque vous percez un trou dans une surface de véhicule, assurez-vous que cette zone est exempte de fils électriques, de canalisations d'essence, de garniture souple, etc. qui pourraient être endommagés.

SYSTÈME CAMÉRA MODÈLE EC7008-WK2

INSTRUCTIONS DE FONCTIONNEMENT :



Important ! Imperméabilisez toutes les connexions à l'intérieur ou à l'extérieur du véhicule à l'aide d'un agent d'étanchéité et l'enrubannage avec du ruban isolant. Enveloppez hermétiquement de bandes qui se chevauchent, par une demi-largeur pour éviter les lacunes.

INSTRUCTIONS DE CÂBLAGE :

Remarques :

- Des câbles plus gros et des connexions bien serrées fourniront une plus longue durée de vie des composants. Pour les câbles à haut courant il est recommandé que les borniers ou les connexions soudées soient utilisés avec des tuyaux thermorétractables pour protéger les connexions. N'utilisez pas de connecteurs autodévidants (p. ex., connecteurs 3M type Scotchlock)
- Acheminer le câble à l'aide d'oeillets et de joints d'étanchéité lors du passage à travers les parois du compartiment. Réduisez le nombre d'épissures pour réduire la chute de tension. Des températures ambiantes élevées (p. ex., sous-capot) réduiront considérablement la capacité de transport du courant des câbles, fusibles et disjoncteurs. Tout le câblage doit être conforme à la taille minimale et d'autres recommandations du fabricant et être protégé des pièces en mouvement et des surfaces chaudes. Les faisceaux, œillets, attaches de câble, et le matériel d'installation similaire devraient être utilisés pour fixer et protéger tout le câblage.
- Les fusibles ou disjoncteurs devraient être situés le plus près possible des points de force et être d'une taille adéquate pour protéger le câblage et les appareils.
- Une attention particulière devrait être accordée à l'emplacement et le mode de connexions électriques et les épissures pour protéger ces points contre la corrosion et la perte de conductivité.
- La réiliation au sol ne doit être faite qu'à des composants du châssis, de préférence directement à la batterie du véhicule.
- Les disjoncteurs sont très sensibles aux températures élevées et le déclenchement involontaire lors du montage dans des environnements chauds ou l'exploitation à la limite de leur capacité.

L'appareil est conçu pour des systèmes électriques de 12 à 24 VCC (extrêmes de 10 à 30 V C.C.).

Les options de câblage sont comme suit dans la Figure 1 :

Tout le câblage doit être un minimum de 26 AWG. Un fusible de 3 amp pour l'écran sur la ligne positive est nécessaire.

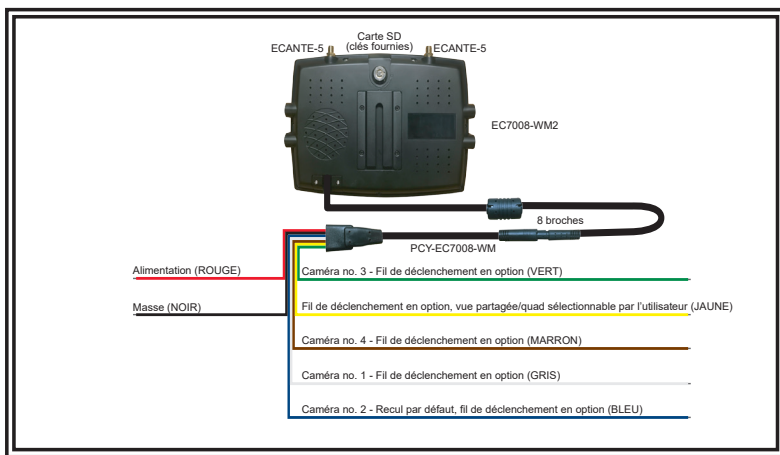


Figure 1



= non/signal faible



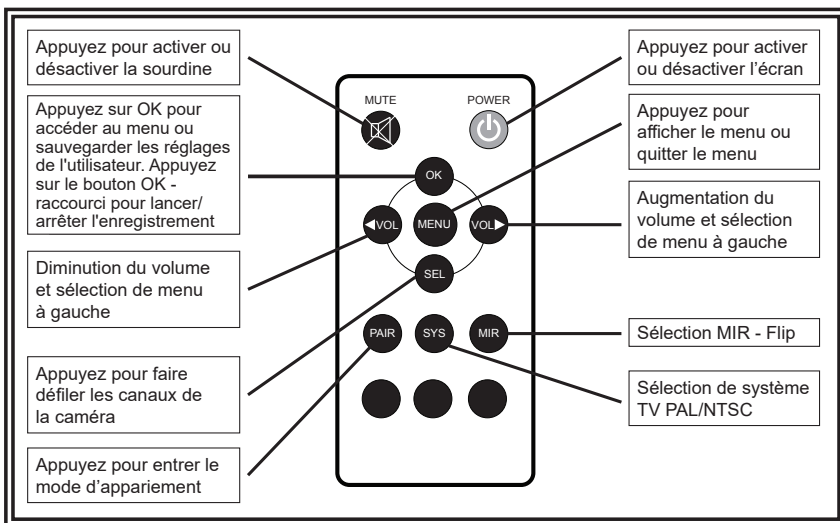
= plein signal et vous êtes prêt à passer à l'étape suivante

INSTRUCTIONS D'INSTALLATION:

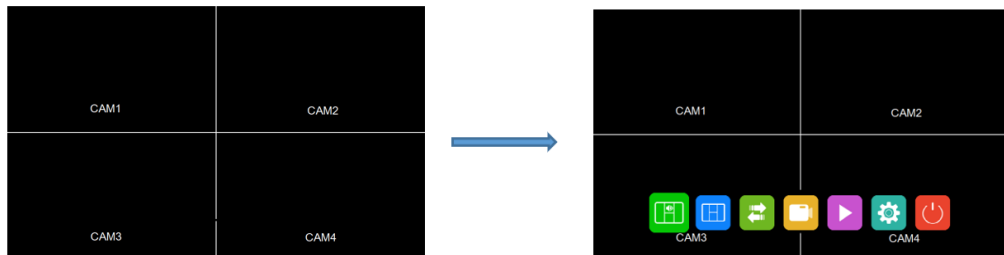
IL EST RECOMMANDÉ D'EFFETUER UN ESSAI AU BANC AVANT L'INSTALLATION afin d'établir le positionnement et la priorité des caméras.

- Coupez les points à souder pour améliorer les branchements
- Installez les deux antennes sur le moniteur – tournez-les
- Branchez le cordon d'alimentation du moniteur au faisceau en alignant les encoches pour le placer complètement sur le bouton
- Mettez le moniteur sous tension en branchant le câble rouge à l'alimentation et le câble noir à la masse
- Par défaut, le moniteur passe en mode balayage avec la Vue quadruple et vue H
- Suivez les instructions pour appairer les caméras.

IDENTIFICATION DE PIÈCES DE L'ÉCRAN

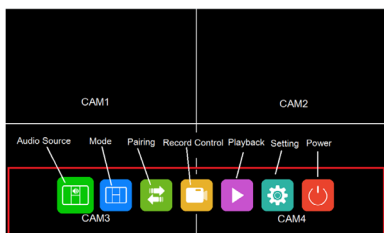


FONCTIONNEMENT DU MENU



- Appuyez sur la touche M sur le moniteur ou MENU de la télécommande pour afficher le menu.
- Appuyez sur la touche « + » ou « - » sur le moniteur ou VOL +/- de la télécommande pour sélectionner le sous-menu.
- Appuyez **V** la touche sur le moniteur ou OK de la télécommande pour accéder au sous-menu.
- Appuyez à nouveau sur la touche MENU pour retourner au menu principal.

SOURCE AUDIO

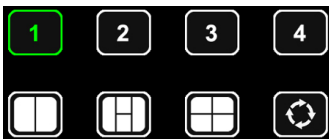


SOURCE AUDIO



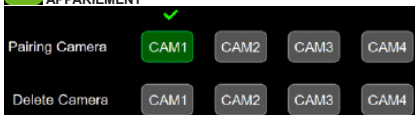
- Sélectionnez le canal sur lequel vous souhaitez entendre l'audio en mode Affichage partagé.
- Appuyez sur la touche « + » ou « - » sur le moniteur ou VOL +/- de la télécommande pour passer d'une option à l'autre.
- Appuyez **V** la touche sur le moniteur ou OK de la télécommande pour sélectionner le canal et quitter le menu.

MODE D'AFFICHAGE

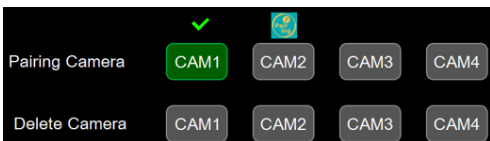


- Sélectionnez le mode d'affichage.
 - Si réglé sur Balayage automatique, change automatiquement le canal en boucle du canal 1 au canal .
- Appuyez sur la touche « + » ou « - » sur le moniteur ou VOL +/- de la télécommande pour passer d'une option à l'autre.
- Appuyez la touche sur le moniteur ou OK de la télécommande pour sélectionner le canal et quitter le menu.

APPARIEMENT



- Appariement de la caméra: Sélectionnez le canal à appairer.
- Appuyez sur la touche « + » ou « - » sur le moniteur ou VOL +/- de la télécommande pour passer d'une option à l'autre.
- Appuyez la touche sur le moniteur ou OK de la télécommande pour lancer l'appariement.



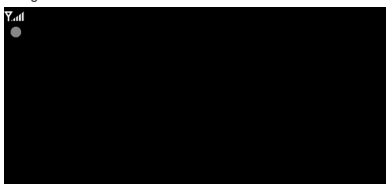
Lorsque l'appariement est en cours, une icône d'appariement s'affiche en haut du canal correspondant.

L'icône d'appariement sera remplacée par une coche une fois l'appariement réussi. Si aucune caméra n'est appariée avec succès dans les 20 secondes, l'icône d'appariement disparaît et le processus d'appariement s'arrête. Supprimer la caméra: Supprimez la caméra qui est déjà appariée dans le canal sélectionné.

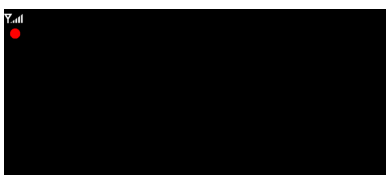
CONTRÔLE DE L'ENREGISTREMENT

- Sélectionnez pour lancer et arrêter l'enregistrement.
- Appuyez la touche sur le moniteur pour lancer et arrêter l'enregistrement.

Si la caméra n'est pas connectée, lorsque vous appuyez pour enregistrer, un point gris s'affiche dans la partie supérieure gauche de l'écran, et rien ne sera enregistré.



Si la caméra est connectée, lorsque vous appuyez pour enregistrer, un point rouge s'affiche dans la partie supérieure gauche de l'écran, et la vidéo est enregistrée.



LECTURE



Le nombre de dossiers augmente automatiquement au fur et à mesure que les fichiers d'enregistrement augmentent, un dossier contient au maximum 997 fichiers vidéo. Un nouveau dossier est automatiquement créé lorsqu'un dossier est plein. Plus le numéro de fichier est élevé, plus le fichier est récent; lorsque la carte SD est pleine, l'écrasement commence à partir du fichier le plus ancien.

- Appuyez sur la touche « + » ou « - » sur le moniteur ou VOL +/- de la télécommande pour passer d'une option à l'autre.
- Appuyez la touche sur le moniteur ou OK de la télécommande pour lancer la lecture.

Camera	Name	Created	Group Num
CAM1	REC0002.MP4	2021-05-27 15:16	Grp2
CAM1	REC0001.MP4	2021-05-27 15:12	Grp1

1/1

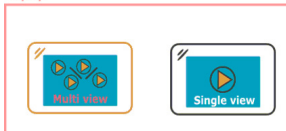
Caméra: Indique le canal auquel appartient le fichier d'enregistrement.

Nom: Nom du fichier

Création: Date et heure de création du fichier

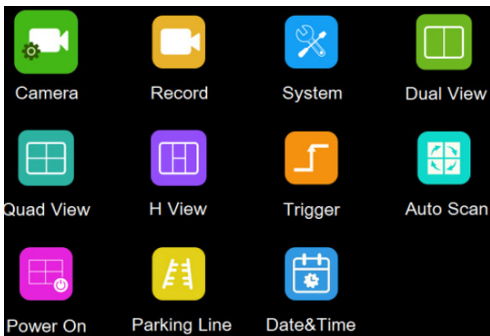
Numéro de groupe: Le numéro de groupe augmente à chaque fois qu'un nouvel enregistrement est effectué, les fichiers ayant le même numéro de groupe proviennent du même enregistrement; p. ex., quatre canaux enregistrés en vue quadruple en même temps, les quatre fichiers vidéo de chaque canal auront le même numéro de groupe.

Display

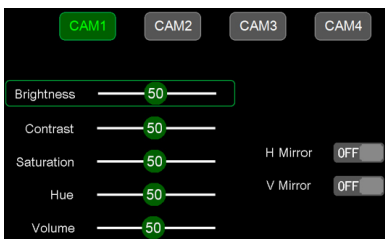


Lorsque le fichier de lecture est enregistré en mode Affichage partagé, une fenêtre s'affiche pour sélectionner la lecture en vue à canaux multiples ou en vue à canal unique.

REGLAGE



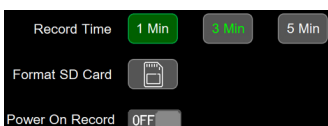
CAMÉRA



Veuillez noter que ces paramètres ne peuvent être réglés que lorsque la caméra est connectée au canal correspondant.

- Pour sélectionner un canal, appuyez sur la touche M sur le moniteur ou MENU de la télécommande. Lorsque l'arrière-plan de l'icône passe au vert, appuyez sur la touche « + » ou « - » sur le moniteur ou VOL +/- de la télécommande pour passer au canal que vous désirez régler.
- Appuyez ▼ la touche sur le moniteur ou OK de la télécommande pour accéder au paramètres du canal.
- Appuyez sur la touche « + » ou « - » sur le moniteur ou VOL +/- de la télécommande pour sélectionner le paramètre à modifier. Un contour VERT s'affiche autour du paramètre sélectionné.
- Appuyez ▼ la touche sur le moniteur ou OK de la télécommande pour sélectionner le paramètre courant. Lorsque le contour passe au ROUGE, appuyez (ou appuyez longuement) sur la touche « + » ou « - » sur le moniteur ou VOL +/- de la télécommande pour régler la valeur; appuyez ▼ la touche sur le moniteur ou OK de la télécommande – le curseur passe au vert.
- Appuyez sur la touche M sur le moniteur ou MENU de la télécommande pour retourner au canal sélectionné.
- Appuyez sur la touche M sur le moniteur ou MENU de la télécommande pour sauvegarder et quitter le menu.

ENREGISTREMENT



Les canaux actuellement affichés sont indiqués par un lettrage vert. La nouvelle sélection est indiquée par un fond vert.

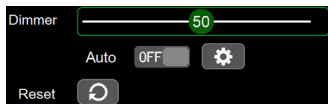
- Appuyez sur la touche « + » ou « - » sur le moniteur ou VOL +/- de la télécommande pour passer d'une option à l'autre.
- Appuyez sur la touche sur le moniteur ou OK de la télécommande pour sélectionner.
- Appuyez sur la touche M sur le moniteur ou MENU de la télécommande pour sauvegarder et quitter le menu.

Durée d'enregistrement: Durée d'enregistrement de chaque fichier.

Formater le carte SD: Il est conseillé de formater toutes les cartes SD lors de la première utilisation du moniteur.

Enregistrement à la mise sous tension: Lancez l'enregistrement dès la mise sous tension du moniteur.

SYSTÈME



La valeur gradateur peut être réglée lorsque Auto est sur désactivé.

- Sélectionnez pour définir la valeur du gradateur de jour et de nuit. Appuyez sur la touche M sur le moniteur ou MENU de la télécommande pour sauvegarder et quitter le menu.



Jour: Réglez la luminosité du panneau dans des conditions normales d'éclairage.

Nuit: Réglez la luminosité du panneau dans des conditions de faible éclairage.

VUE DOUBLE



- Réglez la caméra en mode Vue double. Les canaux actuellement affichés sont indiqués par un lettrage vert. La nouvelle sélection est indiquée par un fond vert.
- Appuyez sur la touche « + » ou « - » sur le moniteur ou VOL +/- de la télécommande pour passer à la vue double.
- Appuyez ▼ la touche sur le moniteur ou OK de la télécommande pour sauvegarder la sélection.

VUE QUADRUPLE ET VUE H

Même mode de fonctionnement que la vue double.

DÉCLENCHEMENT



Délai de déclenchement: La plage de réglage est de 1 à 60 secondes. Le délai de déclenchement indique le temps qui s'écoule après le débranchement du fil de déclenchement, avant que le moniteur ne retourne à la vue d'origine.

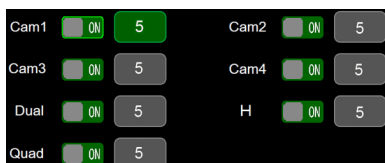
Priorité: La plage de réglage est de 1 à 5.

Le déclenchement a priorité sur le balayage automatique.

Le déclenchement est pris en charge en mode Veille.

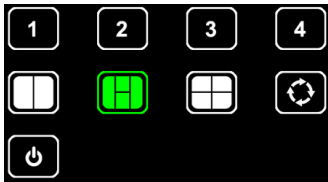
Affichage: Réglez le déclenchement pour afficher un mode de vue spécifique lorsque le fil de déclenchement jaune est activé.

BALAYAGE AUTOMATIQUE



La plage de durée d'analyse automatique est de 5 à 60 s. La durée indique combien de temps une vue de la caméra sera affichée lorsque le moniteur est réglé sur le balayage automatique, avant de passer à la vue caméra suivante. Chaque vue de caméra peut être activée ou désactivée pour être incluse ou supprimée de la rotation de balayage automatique.

MISE SOUS TENSION

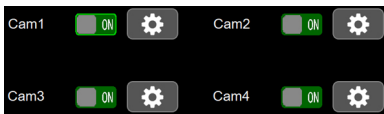


- Sélectionnez la vue que vous souhaitez afficher à la mise sous tension.
- Appuyez sur la touche « + » ou « - » sur le moniteur ou VOL +/- de la télécommande pour passer à la valeur qui doit être réglée.
- Appuyez sur la touche « + » ou « - » sur le moniteur ou OK de la télécommande pour annuler l'option – l'icône passe au blanc si l'option est annulée; lorsque les icônes de toutes les options sont blanches, le moniteur affiche l'image au moment où il a été mis hors tension.
- Appuyez sur la touche M sur le moniteur ou MENU de la télécommande pour sauvegarder et quitter le menu.

L'icône verte indique l'option qui est actuellement sélectionnée.

- Appuyez sur la touche « + » ou « - » sur le moniteur ou VOL +/- de la télécommande pour passer d'une option à l'autre
- Appuyez sur la touche « + » ou « - » sur le moniteur ou OK de la télécommande pour annuler l'option – l'icône passe au blanc si l'option est annulée; lorsque les icônes de toutes les options sont blanches, le moniteur affiche l'image au moment où il a été mis hors tension.
- Appuyez sur la touche M sur le moniteur ou MENU de la télécommande pour sauvegarder et quitter le menu.

LIGNE DE STATIONNEMENT



Si activée, l'étiquette inverse s'affiche lors du déclenchement du canal correspondant.

- Accédez au paramètre pour déplacer l'étiquette.
- Appuyez sur la touche « + » ou « - » sur le moniteur ou VOL +/- de la télécommande pour déplacer l'étiquette vers la droite ou la gauche.
- Appuyez sur la touche « + » ou « - » sur le moniteur ou VOL +/- de la télécommande pour déplacer l'étiquette vers le haut ou le bas.
- Appuyez sur la touche « + » ou « - » sur le moniteur ou VOL +/- de la télécommande pour régler la taille de l'étiquette.
- Appuyez sur la touche « + » ou « - » sur le moniteur ou OK de la télécommande pour passer d'un mode à l'autre.

MODÈLE D'ÉCRAN EC7008-WM2 INSTALLATION ET MONTAGE :

AVERTISSEMENT !
Pour éviter tout risque de choc, **N'OUVREZ PAS LE BOÎTIER DE L'ÉCRAN.** L'ouverture du boîtier de l'écran exposera l'intérieur de l'écran aux conditions qui pourraient affecter les performances. Toute preuve de l'altération des composants scellés annulera la garantie.

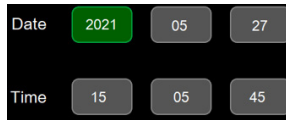
Important ! Ne pas exposer le moniteur à l'eau, il n'est pas étanche. Toute fuite d'eau sur l'écran peut causer des dommages graves.

Retirez avec précaution l'appareil de son emballage. Examinez l'appareil pour déceler les dommages de transport. Si vous constatez des dommages, retournez le produit à votre revendeur local pour remplacement sous garantie. Ne pas utiliser des pièces endommagées ou cassées.

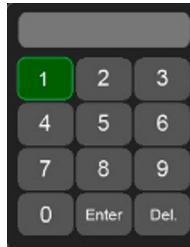
Instructions de montage de l'écran sur support en U :

1. Sélectionnez une surface plane pour l'installation.
2. Percez les trous de montage à l'aide du support en U comme modèle et fixez le support en U avec le matériel fourni par l'utilisateur.
3. Installez le moniteur sur le support en U comme illustré à la Figure 2. Ajustez la position de l'écran pour un meilleur angle de vue avant de serrer les deux vis sur chaque extrémité.
4. Fixez le pare-soleil, comme illustré. Connectez les antennes les pointant vers le haut.

DATE ET HEURE



- Sélectionnez l'icône correspondante pour afficher le clavier et régler la date et l'heure.
- Appuyez sur la touche « + » ou « - » sur le moniteur ou VOL +/- de la télécommande pour passer à la valeur qui doit être réglée.
- Appuyez sur la touche « + » ou « - » sur le moniteur ou OK de la télécommande pour afficher le clavier.
- Appuyez sur la touche « + » ou « - » sur le moniteur ou VOL +/- de la télécommande pour sélectionner le chiffre, un par un.
- Sélectionnez Entrée pour confirmer.



- Touchez pour sélectionner un numéro, touchez Entrée pour sauvegarder et quitter.

MISE HORS TENSION



- Sélectionnez Écran éteint pour activer le mode Veille – le moniteur est alors activé par le déclenchement.
- Sélectionnez Attente pour activer le mode Attente – le moniteur n'est alors pas activé par le déclenchement.

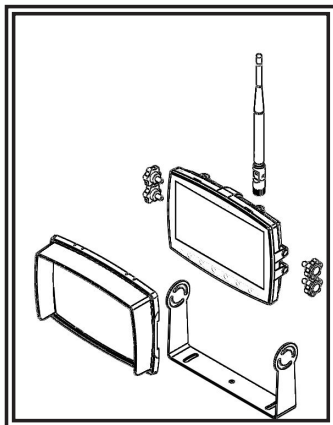


Figure 2

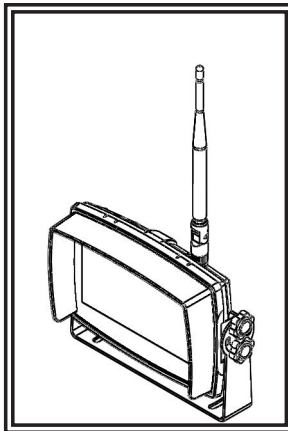


Figure 3

Instructions de montage sur socle :

1. Sélectionnez une surface plane pour l'installation.
2. Pour monter le socle à l'aide d'un adhésif, préparez la surface en la frottant avec de l'alcool avant l'installation.
3. Pour monter le socle à l'aide de vis, percez les trous de montage en utilisant le socle comme gabarit et fixez-le avec le matériel fourni par l'utilisateur.
4. Installez l'écran et le pare-soleil sur le socle comme illustré à la Figure 5. Ajustez la position de l'écran pour un meilleur angle de vue avant de serrer les vis de fixation sur chaque extrémité. Connectez les antennes les pointant vers le haut.

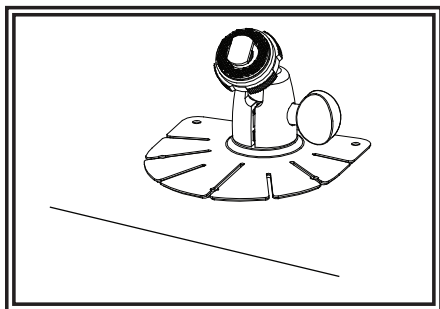


Figure 4

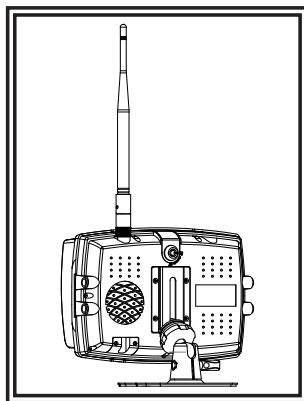


Figure 5

Remarques :

1. Des câbles plus gros et des connexions bien serrées fourniront une plus longue durée de vie des composants. Pour les câbles à haut courant il est recommandé que les borniers ou les connexions soudées soient utilisés avec des tuyaux thermorétractables pour protéger les connexions. N'utilisez pas de connecteurs autodébrutants (p. ex., connecteurs 3M type Scotchlock)
2. Acheminer le câble à l'aide d'oeillets et de joints d'étanchéité lors du passage à travers les parois du compartiment. Réduisez le nombre d'épissures pour réduire la chute de tension. Des températures ambiantes élevées (p. ex., sous-capot) réduiront considérablement la capacité de transport du courant des câbles, fusibles et disjoncteurs. Tout le câblage doit être conforme à la taille minimale et d'autres recommandations du fabricant et être protégé des pièces en mouvement et des surfaces chaudes. Les faisceaux, œillets, attaches de câble, et le matériel d'installation similaire devraient être utilisés pour fixer et protéger tout le câblage.
3. Les fusibles ou disjoncteurs devraient être situés le plus près possible des points de force et être d'une taille adéquate pour protéger le câblage et les appareils.
4. Une attention particulière devrait être accordée à l'emplacement et le mode de connexions électriques et les épissures pour protéger ces points contre la corrosion et la perte de conductivité.
5. La résiliation au sol ne doit être faite qu'à des composants du châssis, de préférence directement à la batterie du véhicule.
6. Les disjoncteurs sont très sensibles aux températures élevées et le déclenchement involontaire lors du montage dans des environnements chauds ou l'exploitation à la limite de leur capacité.

CAMÉRA MODÈLE EC2027-WC2 INSTALLATION ET MONTAGE :

Important ! Monter la caméra à un endroit qui offre le meilleur point de vue de la zone immédiatement derrière le véhicule. En général, les points de montage vers le haut du véhicule offrent le meilleur champ de vision. Les emplacements de montage inférieurs réduisent le champ de vision et augmentent la probabilité de dommages provenant de la pulvérisation.

Retirez avec précaution l'appareil de son emballage. Examinez l'appareil pour déceler les dommages de transport. Si vous constatez des dommages, retournez le produit à votre revendeur local pour remplacement sous garantie. Ne pas utiliser des pièces endommagées ou cassées.

INSTRUCTIONS DE MONTAGE DE LA CAMÉRA SUR SUPPORT EN U :

1. Sélectionnez une surface plane pour l'installation.
2. Percez les trous de montage à l'aide du support en U comme modèle et fixez le support en U avec le matériel fourni par l'utilisateur.
3. Installez la caméra et le pare-soleil sur le support en U comme illustré à la Figure 6.
4. Ajustez la position de la caméra pour un meilleur angle de vue avant de serrer les deux vis sur chaque extrémité.
5. Fixez l'antenne de manière à ce qu'elle soit verticale.

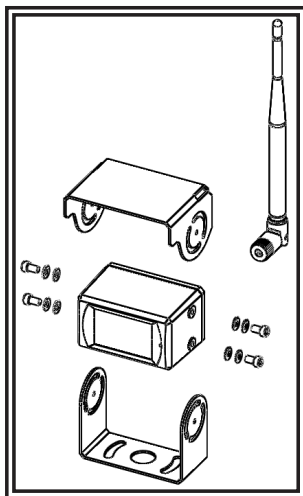


Figure 6

Pour référence seulement

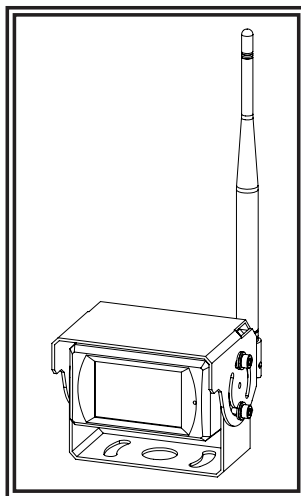


Figure 7

INSTRUCTIONS DE CÂBLAGE :

Important ! Imperméabilisez toutes les connexions à l'intérieur ou à l'extérieur du véhicule à l'aide d'un agent d'étanchéité et l'enrubannage avec du ruban isolant. Enveloppez hermétiquement de bandes qui se chevauchent, par une demi-largeur pour éviter les lacunes.

L'appareil est conçu pour des systèmes électriques de 12 à 24 VCC (extrêmes de 10 à 30 V C.C.).

Le câblage de tous les systèmes est :

Fil rouge positif (+)

Fil noir négatif (-)

Tout le câblage doit être un minimum de 20 AWG.

Un fusible de 3 amp sur la ligne positive est nécessaire (voir la Figure 8).

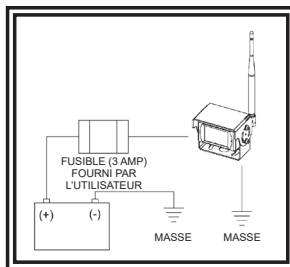


Figure 8

Pièces de rechange et accessoires

Description	Numéro de référence
CAMÉRA	EC2027-WC2
ÉCRAN	EC7008-WM2
CÂBLE	PCY-7008-WM
ANTENNE À PROFIL BAS	ECANTE-R
ANTENNE DE TÉLÉCOMMANDE	ECANTE-8
MONTAGE SUR SOCLE	MB01
PARE-SOLEIL	AS7000SS

Spécifications :

Caméra	EC2027-WC2
Périphérique d'image	1/3 po CMOS
Système de télévision	PAL/NTSC
Taille du tableau	728x488 Pixels
Zone de détection	4,6228mm x 3,6112mm
Système de numérisation	Intrelacement 2:1
Sync. Système	Interne
Résolution	500 lignes TV
Min. Illumination	0.1 Lux (jour), 0 Lux (avec IR)
Microphone	Oui
Sortie vidéo	1.0 vp-p, 75 Ohm
AGC	Auto
Rapport S/N	Mieux que 48 dB
Équilibre blanc	Auto
BLC	Auto
Consommation de courant	Max. 250mA@12V/140mA@24V
Fréquence de fonctionnement	2400-2483.5-MHz
Distance de transmission	120M (sans barrière)
Forme de décompression	MPEG4
Puissance de sortie de transmission	17 dBm
Taux de Bit RF	4Mbps
Température de fonctionnement	-20°C~70°C, RH 90% Max.
Température de stockage	-30°C~80°C, RH 90% Max.

Écran	Écran PEX EC7008-WK2 7 po
Taille PEX	7 po
Résolution	1024 x 3 (RGB) x 600
Contraste	800:1
Luminosité	600 cd/m ²
Angle de visualisation	U : 70 / D : 75, R/L : 75
Masque DOT	0,0642(W) x 0,1790(H)
Rapport Aspect	0.1506(W) x 0.1432(H)
Fréquence de fonctionnement	2400 - 2483.5 MHz
Sensibilité de réception	-89 dBm
Forme de décompression	MPEG4
Modulation	2.4G FSK/GFSK/Línea de visión-despejado FHSS
Délai	170ms
Distance de transmission	300 M
Carte Micro-SD/TF	Max. 128GB
Alimentation	DC 10-32V
Consommation électrique	Max. 6W
Haut-parleur	1,5W/8
Température de fonctionnement	-20°~+70°C, RH90%
Température de stockage	-30°~+80°C, RH90%

Garantie limitée du fabricant et limitation de responsabilité :

Le Fabricant garantit qu'à la date de l'achat, ce produit est conforme aux spécifications du Fabricant le concernant (qui sont disponibles sur demande auprès du Fabricant). Cette Garantie limitée s'étend sur trente six (36) mois à compter de la date d'achat.

LES DOMMAGES À DES PIÈCES OU À DES PRODUITS RÉSULTANT D'UNE ALTÉRATION, D'UN ACCIDENT, D'UN ABUS, D'UNE NÉGLIGENCE, DE MODIFICATIONS NON AUTORISÉES, D'UN INCENDIE OU DE TOUT AUTRE DANGER ; DE L'INSTALLATION OU D'UNE UTILISATION INCORRECTE ; OU D'UN DÉFAUT D'ENTRETIEN CONFORME AUX PROCÉDURES DE MAINTENANCE DÉCRITES DANS LES CONSIGNES D'INSTALLATION ET D'UTILISATION DU FABRICANT ANNULENT CETTE GARANTIE LIMITÉE.

Exclusion d'autres garanties :

LE FABRICANT N'ÉMET AUCUNE AUTRE GARANTIE, QU'ELLE SOIT EXPRESSE OU IMPLICITE. LES GARANTIES IMPLICITES DE QUALITÉ MARCHANDE, DE QUALITÉ OU D'ADAPTATION À UN OBJECTIF PARTICULIER, OU DÉCOULANT D'UNE TRANSACTION, D'UN USAGE OU DE PRATIQUES COMMERCIALES, SONT EXCLUES PAR LES PRÉSENTES, NE S'APPLIQUENT PAS AU PRODUIT, ET SONT DÉCLINÉES PAR LES PRÉSENTES, EXCEPTÉ DANS LA MESURE INTERDITE PAR LA LÉGISLATION EN VIGUEUR. LES DÉCLARATIONS ORALES OU AUTRES DÉCLARATIONS CONCERNANT LE PRODUIT NE CONSTITUENT PAS DES GARANTIES.

Recours et limitation de responsabilité :

LA SEULE RESPONSABILITÉ DU FABRICANT ET LE RECOURS EXCLUSIF DE L'ACHETEUR CONTRE LE FABRICANT, PAR CONTRAT, EN CAS DE DÉLIT (Y COMPRIS LA NÉGLIGENCE), OU SELON TOUTE AUTRE THÉORIE, EN CE QUI CONCERNE LE PRODUIT ET SON UTILISATION, SE LIMITERONT, À LA DISCRETION DU FABRICANT, AU REMPLACEMENT OU À LA RÉPARATION DU PRODUIT, OU AU REMBOURSEMENT DU PRIX D'ACHAT PAYÉ PAR L'ACHETEUR POUR LE PRODUIT NON CONFORME. EN AUCUN CAS LA RESPONSABILITÉ DU FABRICANT DÉCOULANT DE CETTE GARANTIE LIMITÉE OU DE TOUTE AUTRE RÉCLAMATION RELATIVE AUX PRODUITS DU FABRICANT NE DÉPASSERA LE MONTANT PAYÉ PAR L'ACHETEUR POUR LE PRODUIT AU MOMENT DE L'ACHAT INITIAL. EN AUCUN CAS LE FABRICANT NE POURRA ÊTRE TENU POUR RESPONSABLE DE LA PERTE DE PROFITS, DU COÛT DE L'ÉQUIPEMENT OU DE LA MAIN D'ŒUVRE DE REMPLACEMENT, DES DOMMAGES MATÉRIELS, OU D'AUTRES DOMMAGES SPÉCIAUX, CONSÉCUTIFS OU INCIDENTS EN SE BASANT SUR UNE RÉCLAMATION POUR RUPTURE DE CONTRAT, INSTALLATION INAPPROPRIÉE, NÉGLIGENCE OU TOUTE AUTRE RÉCLAMATION, MÊME SI LE FABRICANT OU UN REPRÉSENTANT DU FABRICANT A ÉTÉ AVERTI DE LA POSSIBILITÉ DE TELS DOMMAGES. LE FABRICANT N'A AUCUNE AUTRE OBLIGATION OU RESPONSABILITÉ EN CE QUI CONCERNE LE PRODUIT OU SA VENTE, SON FONCTIONNEMENT ET SON UTILISATION, ET LE FABRICANT N'ASSUME NI N'AUTORISE EN AUCUN CAS L'HYPOTHÈSE D'UNE AUTRE OBLIGATION OU RESPONSABILITÉ EN RELATION AVEC CE PRODUIT.

Cette Garantie limitée définit des droits légaux spécifiques. Vous pouvez avoir d'autres droits légaux qui varient d'une juridiction à l'autre. Certaines juridictions ne permettent pas l'exclusion ou la limitation des dommages indirects ou consécutifs.

Déclaration de conformité:

Cet appareil est conforme à la partie 15 des règles de la FCC.

L'utilisation est soumise aux deux conditions suivantes :

- (1) Cet appareil ne peut pas causer des interférences nuisibles
- (2) Cet appareil doit accepter toute interférence reçue, y compris les interférences qui pourraient causer un fonctionnement non souhaité.



833 West Diamond St
Boise, Idaho 83705
800-635-5900
ECCOESG.com

Bâtiment A15, 5 Avenue Lionel Terray,
Meuzieu, 69330, France
+33 (0) 4 78 79 60 00
adv@esg.global
ECCOESG.co.uk

An ECCO SAFETY GROUP™ Brand
ECCOSAFETYGROUP.com



ECCO®

Installations- und Bedienungsanleitung Drahtloses Kamera-/Überwachungssystem

WICHTIG! Lesen Sie vor der Installation und Verwendung alle Anweisungen. Monteur: Diese Anleitung muss dem Endbenutzer zugestellt werden.



WARNUNG!

Wenn Sie dieses Produkt nicht gemäß den Empfehlungen des Herstellers installieren oder verwenden, kann dies zu Sachschäden, schweren Personenschäden und/oder zum Tod für Sie und die Personen, denen Sie helfen möchten, führen!



Installieren und/oder verwenden Sie dieses Sicherheitsprodukt nur, wenn Sie die Sicherheitsinformationen in dieser Anleitung gelesen und verstanden haben.

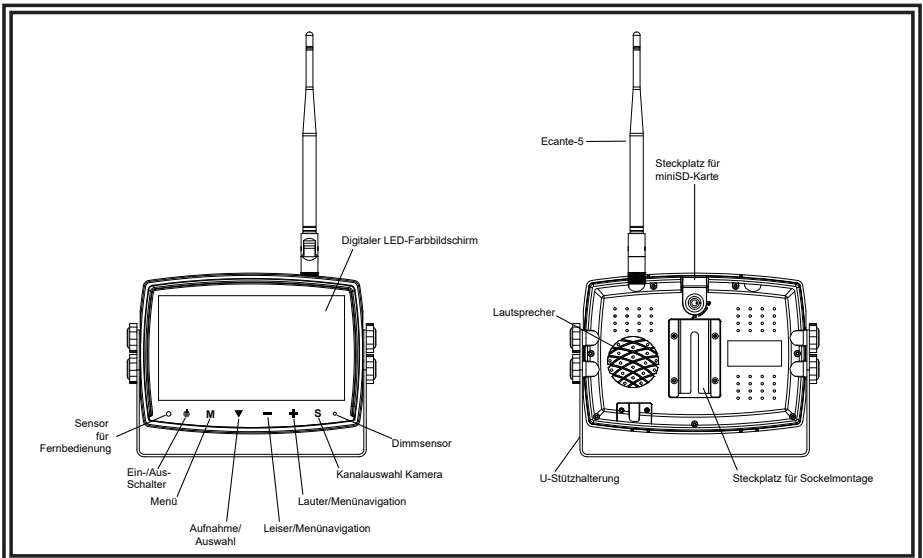
1. Eine ordnungsgemäße Installation sowie eine Bedienschulung in Hinsicht auf die Verwendung, Pflege und Wartung von Warnvorrichtungen sind unerlässlich, um Ihre Sicherheit und die Sicherheit der Personen, denen Sie helfen möchten, zu gewährleisten.
2. Gehen Sie bei der Arbeit mit stromführenden elektrischen Anschlüssen vorsichtig vor.
3. Dieses Produkt muss ordnungsgemäß geerdet werden. Eine unzureichende Erdung und/oder ein Kurzschluss der elektrischen Anschlüsse können zu Hochstromlichtbögen führen, die Verletzungen und/oder schwere Schäden am Fahrzeug, einschließlich Fahrzeugbrand, verursachen können.
4. Die richtige Platzierung und Installation sind für die Leistung der Warnvorrichtung von entscheidender Bedeutung. Installieren Sie dieses Produkt so, dass die Ausgangsleistung des Systems maximiert wird und die Bedienelemente sich in Reichweite des Bedieners befinden damit er/sie das System bedienen kann, ohne den Blick von der Fahrbahn nehmen zu müssen.
5. Montieren Sie dieses Produkt nicht im Entfaltungsbereich eines Airbags und verlegen Sie dort auch keine Kabel. Geräte, die sich im Entfaltungsbereich eines Airbags befinden bzw. dort montiert sind, beeinträchtigen möglicherweise die Wirksamkeit des Airbags oder können zu „Geschossen“ werden, die schwere Verletzungen oder den Tod verursachen können. Informationen zum Entfaltungsbereich des Airbags finden Sie im Fahrerhandbuch des Fahrzeugs. Es liegt in der Verantwortung des Benutzers/Bedieners, einen geeigneten Montageort festzulegen, um die Sicherheit aller Fahrzeuginsassen zu gewährleisten und insbesondere Bereiche zu vermeiden, in denen möglicherweise Kopfverletzungen auftreten können.
6. Es liegt in der Verantwortung des Fahrers, sicherzustellen, dass während der Verwendung alle Funktionen dieses Produkts ordnungsgemäß funktionieren. Der Fahrer muss während der Verwendung sicherstellen, dass das Warnsignal nicht durch Fahrzeugkomponenten (z. B. offene Kofferraumklappe oder Türen), Personen, Fahrzeuge oder andere Hindernisse blockiert wird.
7. Durch die Verwendung dieser oder anderer Warnvorrichtungen kann nicht gewährleistet werden, dass alle Verkehrsteilnehmer das Warnsignal sehen oder darauf reagieren. Sehen Sie das Vorfahrtsrecht niemals als selbstverständlich an. Es liegt in Ihrer Verantwortung sicherzustellen, dass keine Gefahr für Sie besteht, bevor Sie eine Kreuzung überqueren, entgegen der Verkehrsrichtung oder mit hoher Geschwindigkeit fahren oder sich außerhalb des Fahrzeugs auf oder in der Nähe der Fahrspur bewegen.
8. Dieses Gerät darf nur von autorisiertem Personal verwendet werden. Der Benutzer ist dafür verantwortlich, alle Gesetze in Bezug auf Warnsysteme zu verstehen und einzuhalten. Daher sollte der Benutzer alle geltenden Gesetze und Vorschriften auf Stadt-, Landes- und Bundesebene prüfen. Der Hersteller übernimmt keine Haftung für Verluste, die durch die Verwendung dieser Warnvorrichtung entstehen.

Installation, Verdrahtung und Funktion



Achtung! Achten Sie beim Bohren in eine Fahrzeugoberfläche darauf, dass der Bereich frei von elektrischen Leitungen, Kraftstoffleitungen, Fahrzeugpolstern usw. ist, die beschädigt werden könnten.

BETRIEBSANLEITUNG KAMERASYSTEM MODELL EC7008-WK2:



! WARNUNG!

1. Richten Sie die Fernbedienung bei der Verwendung auf das Fenster des Signalempfängers.
2. Niemals die Fernbedienung auseinanderbauen, fallenlassen oder nass werden lassen.

Anweisungen zur Verkabelung:

Wichtig! Alle Anschlüsse innerhalb und außerhalb des Fahrzeugs sind mit Dichtmittel und Isolierband abzudichten. Wickeln Sie das Band eng um den Anschluss herum und lassen Sie es um eine halbe Breite überlappen, sodass keine Lücken bleiben.

Hinweise:

1. Größere Kabel und dichte Verbindungen ermöglichen eine längere Lebensdauer der Komponenten. Für Starkstromkabel wird empfohlen, Anschlussklemmenblöcke oder Lötanschlüsse mit Schrumpfschläuchen zu verwenden, um die Verbindungen zu schützen. Verwenden Sie keine Schneidklemmen (z. B. Steckverbinder des Typs 3M Scotchlok).
2. Verwenden Sie Tüllen und Dichtungsmittel, um Kabel durch Trennwände zu verlegen. Minimieren Sie die Anzahl der Spleiße, um den Spannungsabfall zu vermindern. Hohe Umgebungstemperaturen (z. B. im Motorraum) verringern die Strombelastbarkeit von Kabeln. Sicherungen und Leistungsschalter erheblich. Alle Kabel sollten die Mindestkabelgröße und andere Empfehlungen des Herstellers erfüllen und vor beweglichen Teilen und heißen Oberflächen geschützt verlegt werden. Verwenden Sie Kabelbäume, Tüllen, Kabelbinder und ähnliche Montageteile, um die Kabel zu befestigen und zu schützen.
3. Sicherungen oder Leistungsschalter sollten so nah wie möglich an den Stromversorgungspunkten angebracht werden und so dimensioniert sein, dass sie Kabel und Geräte schützen.
4. Achten Sie besonders auf die Lage und Methode der Herstellung von elektrischen Verbindungen und Spleißen, um diese vor Korrosion und Verlust der Leitfähigkeit zu schützen.
5. Der Erdungsanschluss sollte nur an wesentlichen Fahrwerkskomponenten erfolgen, vorzugsweise direkt an der Fahrzeugbatterie.
6. Leistungsschalter reagieren sehr empfindlich auf hohe Temperaturen und werden „falsch ausgelöst“, wenn sie in heißen Umgebungen montiert oder nahe ihrer Kapazitätsgrenze betrieben werden.

Das Gerät ist für elektrische Systeme von 12 bis 24 VDC (Extreme 10 bis 30 VDC) ausgelegt. Die Verdrahtung erfolgt wie in Abbildung 1 gezeigt:

Alle Kabel sollten mindestens über 26 AWG verfügen. Es ist eine 3-A-Sicherung in der positiven Leitung des Monitors erforderlich.

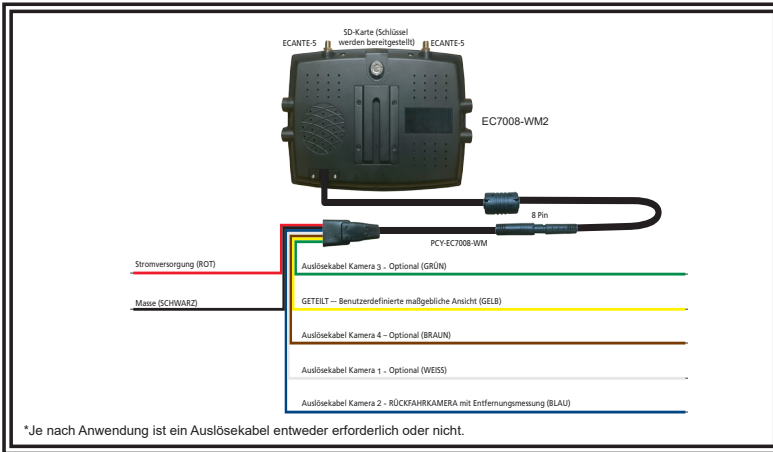


Abbildung 1



= Kein/niedriges Signal



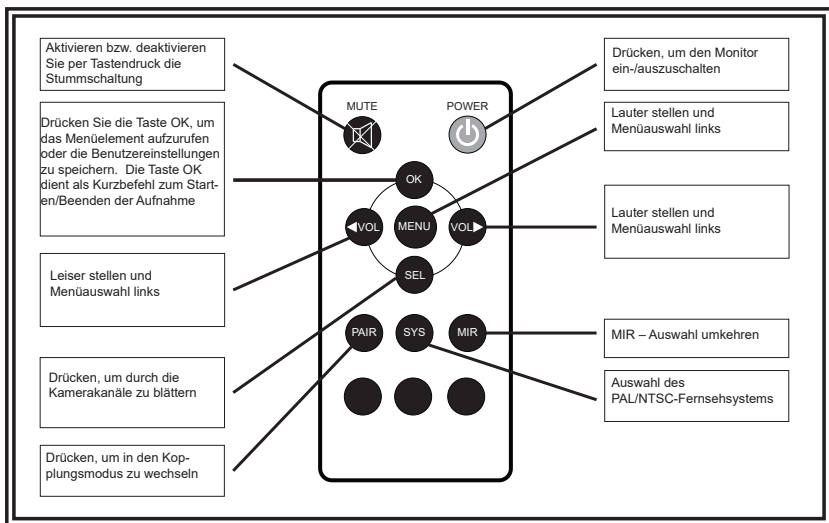
= Volles Signal – Sie können mit dem nächsten Schritt fortfahren

Installations- und Bedienungsanleitung:

Es wird empfohlen, VOR DER INSTALLATION EINEN TEST AM PRÜFSTAND DURCHZUFÜHREN, um die Platzierung/Priorität der Kameras festzulegen.

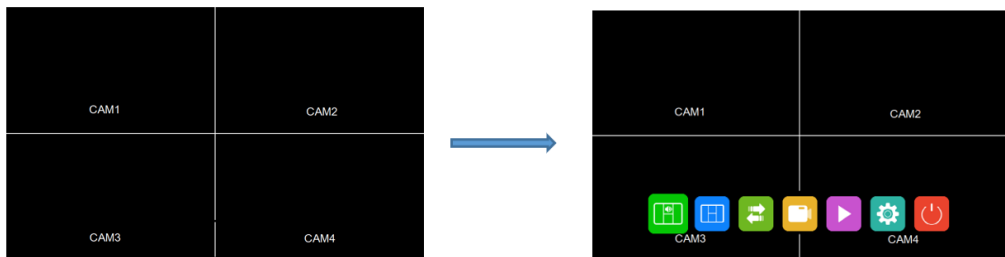
1. Schneiden Sie die Lötspitzen zu, um die Verbindungen zu verbessern
2. Montieren Sie beide Antennen auf dem Monitor – einfach festdrehen
3. Schließen Sie das Netzkabel des Monitors an den Kabelbaum an und bringen Sie die Kerben dabei so an, dass sie vollständig über dem Knopf sitzen
4. Schalten Sie den Monitor ein, indem Sie das rote Kabel an die Stromversorgung und das schwarze Kabel an die Masse anschließen
5. Monitor teilt eine Ansicht standardmäßig auf
6. Befolgen Sie die Anweisungen zum Koppeln, um die Kameras zu koppeln

ERKENNUNG DER MONITORTEILE



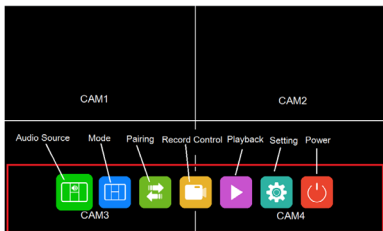
Auswahl der Schnellwechsellaste. Schneller Wechsel in den vom SYSTEM spezifizierten Anzeigemodus

Verwendung des Menüs



- Drücken Sie die Taste „M“ auf dem Monitor oder die Taste „Menu“ auf der Fernbedienung, um das Menü anzuzeigen.
- Drücken Sie die Taste „+“ oder „-“ auf dem Monitor oder VOL +/- auf der Fernbedienung, um das Untermenü auszuwählen.
- Drücken Sie die Taste auf dem Monitor oder „OK“ auf der Fernbedienung, um das Untermenü aufzurufen.
- Drücken Sie die Taste „MENU“ erneut, um zum Hauptmenü zurückzukehren.

Main Menu (Hauptmenü)



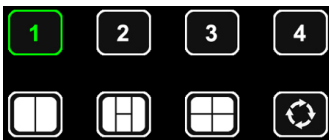
Audio Source (Audioquelle)



- Wählen Sie den Kanal aus, dessen Audioausgabe Sie im Split-View-Modus (Modus mit geteilter Ansicht) hören möchten.
- Drücken Sie die Taste „+“ oder „-“ auf dem Monitor oder VOL +/- auf der Fernbedienung, um die Option zu wechseln.
- Drücken Sie auf dem Monitor oder „OK“ auf der Fernbedienung, um den Kanal auszuwählen und das Menü zu verlassen.



Display Mode (Anzeigemodus)



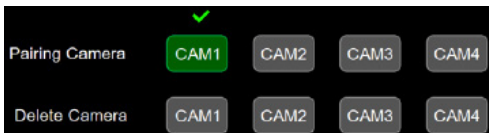
Wählen Sie den Anzeigemodus aus.

- Das ist der automatische Scan. Dabei werden die Kanäle automatisch der Reihe nach von Kanal 1 bis , durchlaufen.

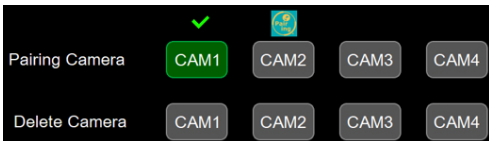
Drücken Sie die Taste „+“ oder „-“ auf dem Monitor oder VOL +/- auf der Fernbedienung, um die Option zu wechseln. Drücken Sie auf dem Monitor oder „OK“ auf der Fernbedienung, um den Kanal auszuwählen und das Menü zu verlassen.



Pairing (Kopplung)



- Kamera koppeln: Wählen Sie den Kanal aus, den Sie koppeln möchten.
- Drücken Sie die Taste „+“ oder „-“ auf dem Monitor oder VOL +/- auf der Fernbedienung, um die Option zu wechseln.
- Drücken Sie die Taste auf dem Monitor oder „OK“ auf der Fernbedienung, um die Kopplung zu starten.



Während der Kopplung wird über dem entsprechenden Kanal das

Kopplungssymbol angezeigt.

Das Kopplungssymbol wird durch ein Häkchen ersetzt, wenn die Kopplung erfolgreich war. Wenn innerhalb von 20 Sekunden keine Kamera erfolgreich gekoppelt wird, verschwindet das Kopplungssymbol und der Kopplungsvorgang wird abgebrochen.

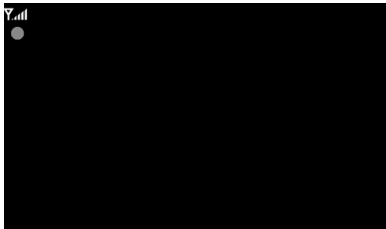
Kamera entfernen: Entfernt die Kamera, die bereits mit dem ausgewählten Kanal gekoppelt ist.



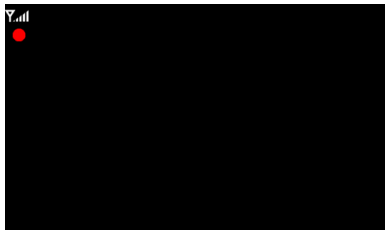
Record Control (Aufnahmesteuerung)

- Wählen Sie diese Option, um die Aufnahme zu starten und zu beenden.
- Drücken Sie die Taste auf dem Monitor, um die Aufnahme zu starten oder zu beenden.

Wenn die Kamera nicht verbunden ist, und Sie auf Aufnahme drücken, wird oben links ein grauer Punkt angezeigt, und es erfolgt keine Aufnahme.



Wenn die Kamera verbunden ist, und Sie auf Aufnahme drücken, wird oben links ein roter Punkt angezeigt, und es wird ein Video aufgenommen.



Playback (Wiedergabe)



Der Ordner vergrößert sich automatisch mit zunehmender Anzahl der Aufnahmedateien. Ein Ordner kann maximal 997-Videodateien enthalten. Ist ein Ordner voll, wird automatisch ein neuer Ordner erstellt. Eine Datei ist umso neuer, je höher ihre Dateinummer ist. Wenn die SD-Karte voll ist, werden die ältesten Dateien zuerst überschrieben.

- Drücken Sie die Taste „+“ oder „-“ auf dem Monitor oder VOL +/- auf der Fernbedienung, um die Option zu wechseln.
- Drücken Sie die Taste auf dem Monitor oder „OK“ auf der Fernbedienung, um die Wiedergabe zu starten.

Camera	Name	Created	Group Num
CAM1	REC0002.MP4	2021-05-27 15:16	Grp2
CAM1	REC0001.MP4	2021-05-27 15:12	Grp1

1/1

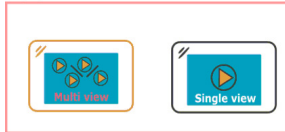
Camera (Kamera): Zeigt den Kanal an, zu dem die Aufnahmedatei gehört

Name: Dateiname

Create (Erstellen): Datum und Uhrzeit der Erstellung der Datei

Group Num (Gruppennummer): Die Gruppennummer erhöht sich jedes Mal, wenn eine neue Aufnahme gestartet wird. Dateien mit derselben Gruppennummer gehören zur selben Aufnahme. Beispiel: Wenn 4 Kanäle in der Ansicht mit vier Kamerabildern gleichzeitig aufgezeichnet wurden, haben die vier Videodateien der einzelnen Kanäle dieselbe Gruppennummer.

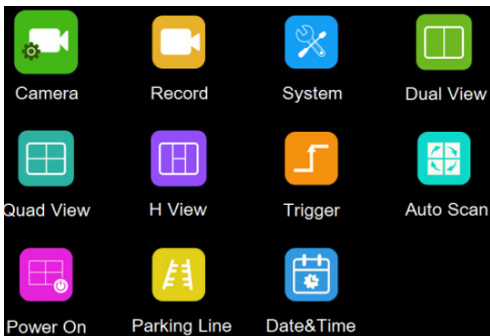
Display



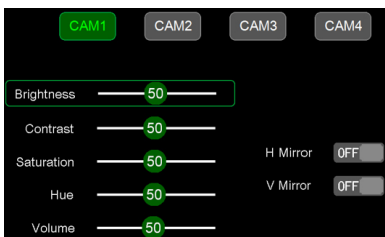
Wenn die Wiedergabedatei in der geteilten Ansicht aufgezeichnet wird, wird ein Fenster angezeigt, in dem Sie für die Wiedergabe die Mehrkanal- oder Einzelkanalansicht auswählen können.



Setting (Einstellung)



Camera (Kamera)



Beachten Sie, dass diese Parameter nur eingestellt werden können, wenn die Kamera mit dem entsprechenden Kanal verbunden ist

- Um einen Sender auszuwählen, drücken Sie die Taste „M“ auf dem Monitor oder „Menu“ auf der Fernbedienung. Wenn der Symbolhintergrund grün wird, drücken Sie die Taste „+“ oder „-“ auf dem Monitor oder VOL +/- auf der Fernbedienung, um zum gewünschten Sender zu wechseln.
- Drücken Sie die Taste ∇ auf dem Monitor oder „OK“ auf der Fernbedienung, um die Kanalparameter aufzurufen.
- Drücken Sie die Taste „+“ oder „-“ auf dem Monitor oder VOL +/- auf der Fernbedienung, um den zu ändernden Parameter auszuwählen. Der aktuell ausgewählte Parameter wird GRÜN umrandet.
- Drücken Sie die Taste ∇ auf dem Monitor oder „OK“ auf der Fernbedienung, um den aktuellen Parameter auszuwählen. Wenn die Umrandung ROT wird, drücken Sie (oder drücken Sie lang) die Taste „+“ oder „-“ auf dem Monitor oder VOL +/- auf der Fernbedienung, um den Wert einzustellen. Drücken Sie die Taste ∇ auf dem Monitor oder „OK“ auf der Fernbedienung, und der Cursor wird wieder grün.
- Drücken Sie die Taste „M“ auf dem Monitor oder „Menu“ auf der Fernbedienung, um zur Kanalauswahl zurückzukehren.
- Drücken Sie „M“ auf dem Monitor oder „Menü“ auf der Fernbedienung, um zu speichern und das Menü zu verlassen.



Record (Aufnahme)



Aktuell angezeigte Kanäle werden durch grüne Buchstaben gekennzeichnet. Die neue Auswahl wird durch einen grünen Hintergrund angezeigt.

- Drücken Sie die Taste „+“ oder „-“ auf dem Monitor oder VOL +/- auf der Fernbedienung, um zwischen den Optionen zu wechseln.
- Drücken Sie die Taste auf dem Monitor oder „OK“ auf der Fernbedienung, um eine Option auszuwählen.
- Drücken Sie „M“ auf dem Monitor oder „Menü“ auf der Fernbedienung, um zu speichern und das Menü zu verlassen.

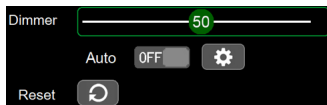
Record time (Aufnahmezeit): Aufnahmedauer für jede Datei.

Format SD card (SD-Karte formatieren): Es wird empfohlen, alle SD-Karten bei der ersten Verwendung auf dem Monitor zu formatieren.

Power on record (Aufnahmestart beim Einschalten): Die Aufnahme wird gestartet, wenn der Monitor eingeschaltet wird.



System



Der Dimmer-Wert kann nur eingestellt werden, wenn Auto ausgeschaltet ist.

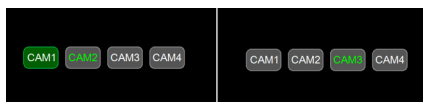
- Wählen Sie \otimes , um den Tag- und Nacht-Dimmer-Wert einzustellen. Drücken Sie auf „M“ auf dem Monitor oder auf „Menu“ auf der Fernbedienung, um zu speichern und das Menü zu verlassen.



Day (Tag): Passt die Helligkeit des Bedienfelds bei normalen Lichtbedingungen an.
Night (Nacht): Passt die Helligkeit des Bedienfelds bei schlechten Lichtverhältnissen an.



Dual View (Ansicht mit zwei Kamerabildern)



- Stellen Sie die Kamerakombination auf den Dual-View-Modus ein. Aktuell angezeigte Kanäle werden durch grüne Buchstaben gekennzeichnet. Die neue Auswahl wird durch einen grünen Hintergrund angezeigt.
- Drücken Sie die Taste „+“ oder „-“ auf dem Monitor oder VOL +/- auf der Fernbedienung, um die Kanalanzahl auf Dual-View umzuschalten.
- Drücken Sie die Taste ∇ auf dem Monitor oder „OK“ auf der Fernbedienung, um die Auswahl zu speichern.

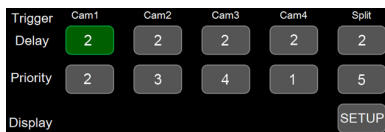


Quad View (Ansicht mit vier Kamerabildern) und H View (H-Ansicht)

Gleiche Funktionsweise wie bei Dual View.



Trigger (Auslöser)



Trigger Delay (Auslöserverzögerung): Der Einstellbereich liegt zwischen 1 und 60 Sekunden. Die Auslöserverzögerung gibt an, wie lange es nach Trennung des Auslöserkabels dauert, bis der Monitor zurück in die ursprüngliche Ansicht wechselt.

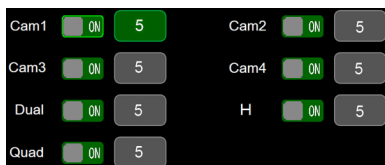
Priority (Priorität): Einstellbereich ist 1 bis 5.

Der Auslöser hat Priorität gegenüber dem automatischen Scan
Unterstützt das Auslösen im Standby-Modus

Display (Anzeige): Stellt den Auslöser so ein, dass ein spezifischer Ansichtsmodus angezeigt wird, wenn das gelbe Auslösekabel aktiviert wird.

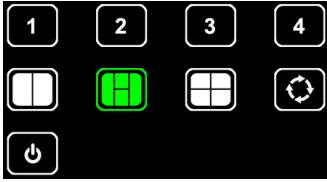


AutoScan (Automatischer Scan)



Der einstellbare Bereich für die Dauer des automatischen Scans beträgt 5 bis 60 Sekunden. Die Dauer gibt an, wie lange eine Kameraansicht angezeigt wird, bevor zur nächsten Kameraansicht weitergeschaltet wird, wenn der Monitor auf automatischer Scan eingestellt ist. Für jede Kameraansicht kann festgelegt werden, ob sie in der Rotation des automatischen Scans angezeigt oder übersprungen wird.

Power On (Einschalten)



- Wählen Sie die Ansicht aus, die beim Einschalten angezeigt werden soll.

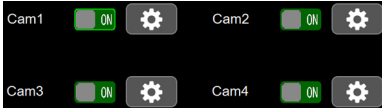
- Beim Einschalten den automatischen Scan starten.
- Beim Einschalten in den Standby-Modus (schwarzer Bildschirm) wechseln.

Das Symbol in grün ist aktuell ausgewählt.

- Drücken Sie die Taste „+“ oder „-“ auf dem Monitor oder VOL +/- auf der Fernbedienung, um die Option zu wechseln.
- Drücken Sie die Taste auf dem Monitor oder „OK“ auf der Fernbedienung, um die Option abzubrechen. Das Symbol wird weiß, wenn die Option abgebrochen wurde. Wenn alle Optionen weiß sind, zeigt der Monitor das Bild an, das vor dem letzten Ausschalten angezeigt wurde.
- Drücken Sie „M“ auf dem Monitor oder „Menü“ auf der Fernbedienung, um zu speichern und das Menü zu verlassen.



Parking Line (Leitung wird geparkt)

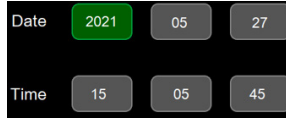


Wenn diese Option aktiviert ist, wird beim Auslösen des entsprechenden Kanals die Umkehr-Beschriftung angezeigt.

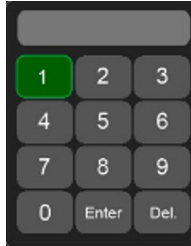
- Rufen Sie die Einstellung auf, um die Beschriftung zu verschieben.
- Drücken Sie die Taste „+“ oder „-“ auf dem Monitor oder VOL +/- auf der Fernbedienung, um die Beschriftung nach rechts oder links zu verschieben.
- Drücken Sie die Taste „+“ oder „-“ auf dem Monitor oder VOL +/- auf der Fernbedienung, um die Beschriftung nach oben oder unten zu verschieben.
- Drücken Sie die Taste „+“ oder „-“ auf dem Monitor oder VOL +/- auf der Fernbedienung, um die Größe der Beschriftung anzupassen.
- Drücken Sie die Taste auf dem Monitor oder „OK“ auf der Fernbedienung, um den Modus zu wechseln.

MONITORMODELL EC7008-WM2 INSTALLATION UND MONTAGE:

Date & Time (Datum und Uhrzeit)



- Wählen Sie das entsprechende Symbol aus, um die Tastatur einzublenden und Datum und Uhrzeit einzustellen.
- Drücken Sie die Taste „+“ oder „-“ auf dem Monitor oder VOL +/- auf der Fernbedienung, um zur Zahl zu wechseln, die geändert werden soll.
- Drücken Sie die Taste auf dem Monitor oder „OK“ auf der Fernbedienung, um die Tastatur einzublenden.
- Drücken Sie die Taste „+“ oder „-“ auf dem Monitor oder VOL +/- auf der Fernbedienung, um die Nummern einzeln auszuwählen.
- Drücken Sie zur Bestätigung Enter (Eingabe).



- Berühren Sie die Nummer, um sie auszuwählen. Berühren Sie Enter (Eingabe) um das Menü zu verlassen und zu speichern.



Power Off (Ausschalten)



- Wählen Screen off (Bildschirm aus), um in den Standby-Modus zu wechseln. Der Monitor reagiert, wenn der Auslöser betätigt wird.
- Wählen Sie Sleep (Ruhemodus), um in den Ruhemodus zu wechseln. Der Monitor reagiert nicht, wenn der Auslöser betätigt wird.



WARNUNG!

Um einen unabsichtlichen elektrischen Schock zu vermeiden, ÖFFNEN SIE DAS MONITORGEGÄUßE NICHT. Durch Öffnen des Monitorgehäuses wird das Innere des Monitors äußeren Einflüssen ausgesetzt, die sich negativ auf die Leistung auswirken können. Wenn Sie versiegelte Komponenten eigenmächtig manipulieren, erlischt die Garantie.

Wichtig! Bringen Sie den Monitor nicht in Kontakt mit Wasser, da er nicht wasserdicht ist. Wenn Wasser in den Monitor läuft, können erhebliche Schäden entstehen.

Nehmen Sie das Produkt vorsichtig aus der Verpackung. Überprüfen Sie das Produkt auf Transportschäden. Wenn Schäden festgestellt werden, senden Sie das Produkt an Ihren lokalen Händler, um es im Rahmen der Garantie auszutauschen. Verwenden Sie keine beschädigten Teile.

Anleitung für die Montage des Monitors mit U-Halterung

- Wählen Sie eine ebene Fläche für die Installation aus.
- Bohren Sie die Befestigungslöcher mit der unteren U-Halterung als Schablone, und befestigen Sie die U-Halterung mit eigenen Befestigungsmaterialien.
- Bringen Sie den Monitor an der U-Halterung an, wie in Abbildung 2 gezeigt. Stellen Sie den Monitor so ein, dass Sie den besten Blickwinkel haben, und ziehen Sie dann die beiden Schrauben an den Enden fest.
- Bringen Sie die Sonnenblende an, wie in der Darstellung gezeigt. Bringen Sie die Antennen so an, dass sie nach oben zeigen, wie in Abbildung 3 dargestellt.

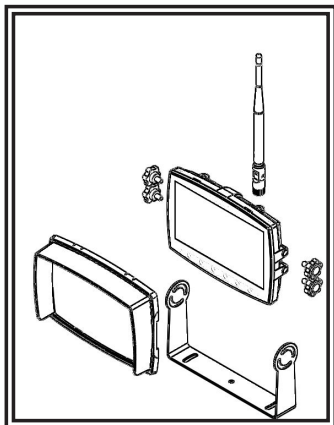


Abbildung 2

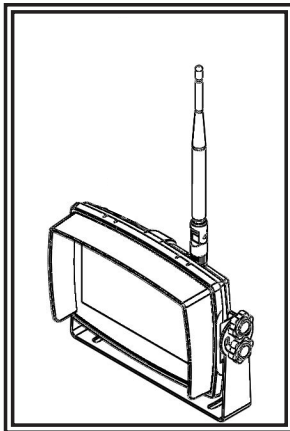


Abbildung 3

Anleitung für Sockelmontage:

1. Wählen Sie eine ebene Fläche für die Installation aus.
2. Für die Montage des Sockels mit dem Klebstoff müssen Sie die Oberfläche zuvor durch Einreiben mit Alkohol reinigen, wie in Abbildung 4 gezeigt.
3. Wenn Sie den Sockel mit Schrauben befestigen möchten, bohren Sie die Befestigungslöcher mit dem Sockel als Schablone, und befestigen Sie die U-Halterung mit eigenen Befestigungsmaterialien.
4. Bringen Sie den Monitor und die Sonnenblende wie in Abbildung 5 gezeigt an der Sockelhalterung an. Stellen Sie den Monitor so ein, dass Sie den besten Blickwinkel haben, und ziehen Sie dann die Einstellungsschraube am Montagesockel fest. Bringen Sie die Antennen so an, dass sie nach oben zeigen.

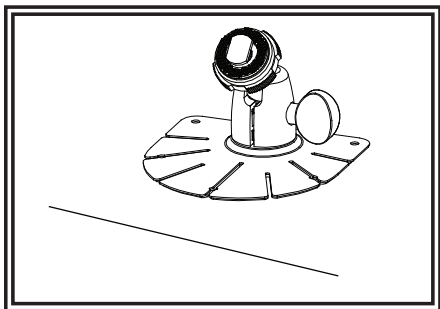


Abbildung 4

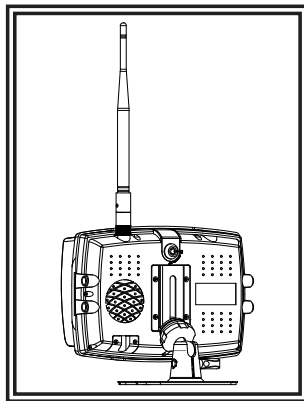


Abbildung 5

Hinweise:

1. Größere Kabel und dichte Verbindungen ermöglichen eine längere Lebensdauer der Komponenten. Für Starkstromkabel wird empfohlen, Anschlussklemmenblöcke oder Lötanschlüsse mit Schrumpfschläuchen zu verwenden, um die Verbindungen zu schützen. Verwenden Sie keine Schneidklemmen (z. B. Steckverbinder des Typs 3M Scotchlok).
2. Verwenden Sie Tüllen und Dichtungsmittel, um Kabel durch Trennwände zu verlegen. Minimieren Sie die Anzahl der Spleiße, um den Spannungsabfall zu verringern. Hohe Umgebungstemperaturen (z. B. im Motorraum) verringern die Strombelastbarkeit von Kabeln, Sicherungen und Leistungsschaltern erheblich. Alle Kabel sollten die Mindestkabelgröße und andere Empfehlungen des Herstellers erfüllen und vor beweglichen Teilen und heißen Oberflächen geschützt verlegt werden. Verwenden Sie Kabelbäume, Tüllen, Kabelbinder und ähnliche Montageteile, um die Kabel zu befestigen und zu schützen.
3. Sicherungen und Leistungsschalter sollten so nah wie möglich an den Stromversorgungspunkten angebracht werden und so dimensioniert sein, dass sie Kabel und Geräte schützen.
4. Achten Sie besonders auf die Lage und Methode der Herstellung von elektrischen Verbindungen und Spleißen, um diese vor Korrosion und Verlust der Leitfähigkeit zu schützen.
5. Der Erdungsanschluss sollte nur an wesentlichen Fahrwerkskomponenten erfolgen, vorzugsweise direkt an der Fahrzeugbatterie.
6. Leistungsschalter reagieren sehr empfindlich auf hohe Temperaturen und werden „falsch ausgelöst“, wenn sie in heißen Umgebungen montiert oder nahe ihrer Kapazitätsgrenze betrieben werden.

KAMERAMODELL EC2027-WC2 INSTALLATION UND MONTAGE:

Wichtig! Montieren Sie die Kamera an einem Ort, der optimale Sicht auf den Bereich direkt hinter dem Fahrzeug ermöglicht. Im Allgemeinen empfiehlt sich die Anbringung der Kamera oben am Fahrzeug, um ein gutes Sichtfeld zu erhalten. Wird die Kamera weiter unten angebracht, so verkleinert sich das Sichtfeld und die Wahrscheinlichkeit von Schäden durch Spritzer von der Fahrbahn erhöht sich.

Nehmen Sie das Produkt vorsichtig aus der Verpackung. Überprüfen Sie das Produkt auf Transportschäden. Wenn Schäden festgestellt werden, senden Sie das Produkt an Ihren lokalen Händler, um es im Rahmen der Garantie auszutauschen. Verwenden Sie keine beschädigten Teile.

ANLEITUNG FÜR DIE MONTAGE DER KAMERA MIT U-HALTERUNG:

1. Wählen Sie eine ebene Fläche für die Installation aus.
2. Bohren Sie die Befestigungslöcher mit der unteren U-Halterung als Schablone, und befestigen Sie die U-Halterung mit eigenen Befestigungsmaterialien.
3. Bringen Sie die Kamera und die Sonnenblende wie in Abbildung 6 gezeigt an der U-Halterung an.
4. Stellen Sie die Kamera so ein, dass Sie den besten Blickwinkel haben, und ziehen Sie dann die beiden Schrauben an den Enden fest.
5. Bringen Sie die Antenne so an, dass sie vertikal ausgerichtet ist, wie in Abbildung 7 dargestellt.

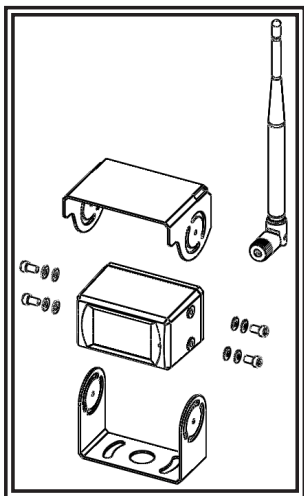


Abbildung 6

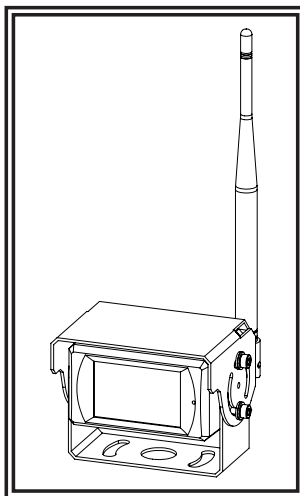


Abbildung 7

Nur zur Referenz

Verkabelungsanleitungen:

Wichtig! Alle Anschlüsse innerhalb und außerhalb des Fahrzeugs sind mit Dichtmittel und Isolierband abzudichten. Wickeln Sie das Band eng um den Anschluss herum und lassen Sie es um eine halbe Breite überlappen, sodass keine Lücken bleiben.

Das Gerät ist für elektrische Systeme von 12 bis 24 VDC (Extreme 10 bis 30 VDC) ausgelegt. Die Verdrahtung für alle Systeme ist:

- Rotes Kabel Plus (+)
- Schwarzes Kabel Negativ (-)

Alle Kabel sollten mindestens über 20 AWG verfügen. Eine 3-A-Sicherung in der positiven Leitung ist erforderlich (siehe Abbildung 8).

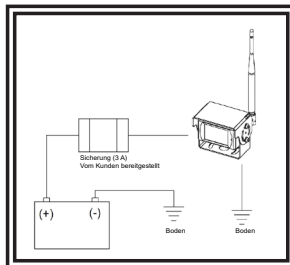


Abbildung 8

Ersatzteile und Zubehör

Beschreibung	Teilenummer
KAMERA	EC2027-WC2
MONITOR	EC7008-WM2
KABEL	PCY-7008-WM
LAAG PROFIEL ANTENNE	ECANTE-R
ANTENNE OP AFSTAND	ECANTE-8
SOCKELHALTERUNG	MB01
SONNENBLLENDE	AS7000SS

Spezifikationen:

Kamera	EC2027-WC2
Bildgebendes Gerät	8,5 mm (1/3") CMOS
TV-System	PAL/NTSC
Array-Größe	728x488 Pixels
Erkennungsbereich	4.6228mm x 3.6112mm
Scanningsystem	2:1 Zeilensprung
Synchr. System	Integriert
Auflösung	500 TV-Zeilen
Min. Beleuchtung	0,1 Lux (Tag), 0 Lux (mit IR)
Mikrofon	Ja
Videoausgang	1,0 Volt (Spitze-Spitze), 75 Ohm
AGC	Automatisch
S/N-Verhältnis	Besser als 48 dB
Weißabgleich	Automatisch
BLC	Automatisch
Stromaufnahme	Max. 250 mA bei 12 V/140 mA bei 24 V
Betriebsfrequenz	2400-2483,5-MHz
Übertragungsstrecke	120 m (barrierefrei)
Dekompressionsform	MPEG4
Sendeleistung	17 dBm
HF-Bitrate	4 Mbit/s
Betriebstemperatur	-20 °C bis ~ +70 °C, Luftfeuchtigkeit max. 90 %
Lagertemperatur	-30 °C bis ~ +80 °C, Luftfeuchtigkeit max. 90 %

Monitor	LCD-Monitor EC7008-WK2 mit 177,8 mm (7")
LCD-Größe	177,8 mm (7")
Auflösung	1024 x 3 (RGB) x 600
Kontrast	800:1
Helligkeit	600 cd/m ²
Sichtwinkel	U: 70 / D: 75, R/L: 75
Punktabstand	0,0642 (B) x 0,1790 (H)
Seitenverhältnis	0.1506 (W) x 0.1432 (H)
Betriebsfrequenz	2400 - 2483.5 MHz
Empfängerempfindlichkeit	-89 dBm
Dekompressionsform	MPEG4
Modulation	2,4G FSK/GFSK/Sichtlinie - ungehindert FHSS
Zeitverzögerung	170ms
Übertragungstrecke	300 m
Micro-SD/TF-Karte	Max. 128GB
Systemformat	PAL/NTSC
Stromversorgung	DC 10-32V
Stromverbrauch	Max. 6W
Lautsprecher	1,5 W/8
Betriebstemperatur	-20 °C bis ~ +70 °C, Luftfeuchtigkeit max. 90 %
Lagertemperatur	-30 °C bis ~ +80 °C, Luftfeuchtigkeit max. 90 %

ECCO (Hersteller)

ECCO garantiert, dass dieses Produkt zum Zeitpunkt des Erwerbs den Spezifikationen von ECCO für dieses Produkt (auf Anfrage bei ECCO erhältlich) entspricht. Diese beschränkte Garantie gilt sechzig (60) Monate ab dem Zeitpunkt des Erwerbs.

BEI SCHÄDEN AN TEILEN ODER PRODUKTEN, DIE DURCH MANIPULATION, UNFALL, MISSBRAUCH, UNSACHGEMÄSSE VERWENDUNG, FAHRLÄSSIGKEIT, NICHT GENEHMIGTE VERÄNDERUNGEN, FEUER ODER SONSTIGE GEFAHR; UNSACHGEMÄSSE INSTALLATION ODER BETRIEBUNG; ODER NICHTEINHALTUNG DER IN DEN VON ECCO FESTGELEGTEN INSTALLATIONS- UND BETRIEBUNGSANWEISUNGEN FESTGELEGTEN WARTUNGSVERFAHREN IST DIESE BESCHRÄNKTE GARANTIE UNGÜLTIG.

Ausschluss sonstiger Garantieansprüche:

ECCO ÜBERNIMMT KEINE DARÜBER HINAUSGEHENDEN GARANTIE, WEDER AUSDRÜCKLICH NOCH STILLSCHWEIGEND. DIE STILLSCHWEIGENDEN GARANTIE FÜR MARKTGÄNGIGKEIT, QUALITÄT ODER EIGNUNG FÜR EINEN BESTIMMTEN ZWECK; ODER DIE SICH AUS DEM REGELMÄSSIGEN GESCHÄFTSGANG, DER NUTZUNG ODER DES HANDELSBRAUCHS ERGEBEN; WERDEN HIERMIT AUSGESCHLOSSEN UND GELTEN NICHT FÜR DAS PRODUKT, SOWEIT NACH ANWENDBAREM RECHT ZULÄSSIG. MÜNDLICHE AUSSAGEN ODER ZUSICHERUNGEN ZUM PRODUKT STELLEN KEINE GARANTIE DAR.

Rechtsbehelfe und Haftungsbeschränkung:

DIE ALLEINIGE HAFTUNG VON ECCO UND DER AUSSCHLIESSLICHE RECHTSBEHELF DES KÄUFERS, OB AUF VERTRAGLICHER GRUNDLAGE, AUS UNERLAUBTER HANDLUNG (EINSCHLIESSLICH FAHRLÄSSIGKEIT) ODER EINEM SONSTIGEN RECHTLICHEN GRUND GEGEN ECCO IN HINSICHT AUF DAS PRODUKT UND SEINE VERWENDUNG BESTEHEN NACH ERMESSEN VON ECCO IM ERSATZ ODER IN DER REPARATUR DES PRODUKTES ODER IN DER RÜCKERSTATTUNG DES KAUFPREISES, DEN DER KÄUFER FÜR DAS NICHT KONFORME PRODUKT BEZAHLT HAT. UNTER KEINEN UMSTÄNDEN ÜBERSTIEGT DIE AUS DIESER BESCHRÄNKTEN GARANTIE ODER EINEM ANDEREN ANSPRUCH IM ZUSAMMENHANG MIT DEN PRODUKTEN VON ECCO ENTSTEHENDE HAFTUNG VON ECCO DEN KAUFPREIS DES PRODUKTES ZUM ZEITPUNKT DES URSPRÜNGLICHEN ERWERBS DURCH DEN KÄUFER. UNTER KEINEN UMSTÄNDEN HAFTET ECCO FÜR ENTGANGENE GEWINNE, KOSTEN FÜR ERSATZGERÄTE ODER ARBEITSAUFWAND, SACHSCHADEN, ODER SONSTIGE SPEZIELLE SCHÄDEN, FOLGESCHÄDEN ODER BEILÄUFIGE SCHÄDEN BASIEREND AUF ANSPRÜCHEN AUFGRUND VON VERTRAGSVERLETZUNG, FEHLERHAFTER INSTALLATION, FAHRLÄSSIGKEIT, ODER ANDEREN ANSPRÜCHEN, SELBST WENN ECCO ODER EIN VERTRETER VON ECCO AUF DIE MÖGLICHKEIT SOLCHER SCHÄDEN HINGEWIESEN WURDE. ECCO ÜBERNIMMT KEINE WEITERE VERPFLICHTUNG ODER HAFTUNG HINSICHTLICH DES PRODUKTES ODER SEINES VERKAUFS, SEINER BETRIEBUNG UND SEINER VERWENDUNG, UND ECCO ÜBERNIMMT KEINE HAFTUNG UND GENEHMIGT KEINE ÜBERNAHME ANDERER VERPFLICHTUNGEN ODER HAFTUNGEN IM ZUSAMMENHANG MIT DIESEM PRODUKT.

Diese beschränkte Garantie definiert bestimmte Rechte. Möglicherweise haben Sie andere Rechte, die je nach Rechtsprechung variieren. In einigen Rechtsprechungen ist der Ausschluss oder die Beschränkung von Neben- oder Folgeschäden nicht zulässig.

DKonformitätserklärung:

Dieses Gerät erfüllt die Anforderungen von Teil 15 der Bestimmungen der US-Regulierungsbehörde FCC. Für den Betrieb gelten folgende zwei Bedingungen:

- (1) Dieses Gerät darf keine störenden Interferenzen verursachen.
- (2) Dieses Gerät muss alle störenden Interferenzen hinnehmen, auch solche, die den Betrieb in unerwünschter Weise beeinträchtigen.



833 West Diamond St
Boise, Idaho 83705
800-635-5900
ECCOESG.com

Riedweg 58-60,
Ulm, 89081, Germany
+49 731 935 210
ulm@eccogroup.com
ECCOESG.co.uk

An ECCO SAFETY GROUP™ Brand
ECCOSAFETYGROUP.com