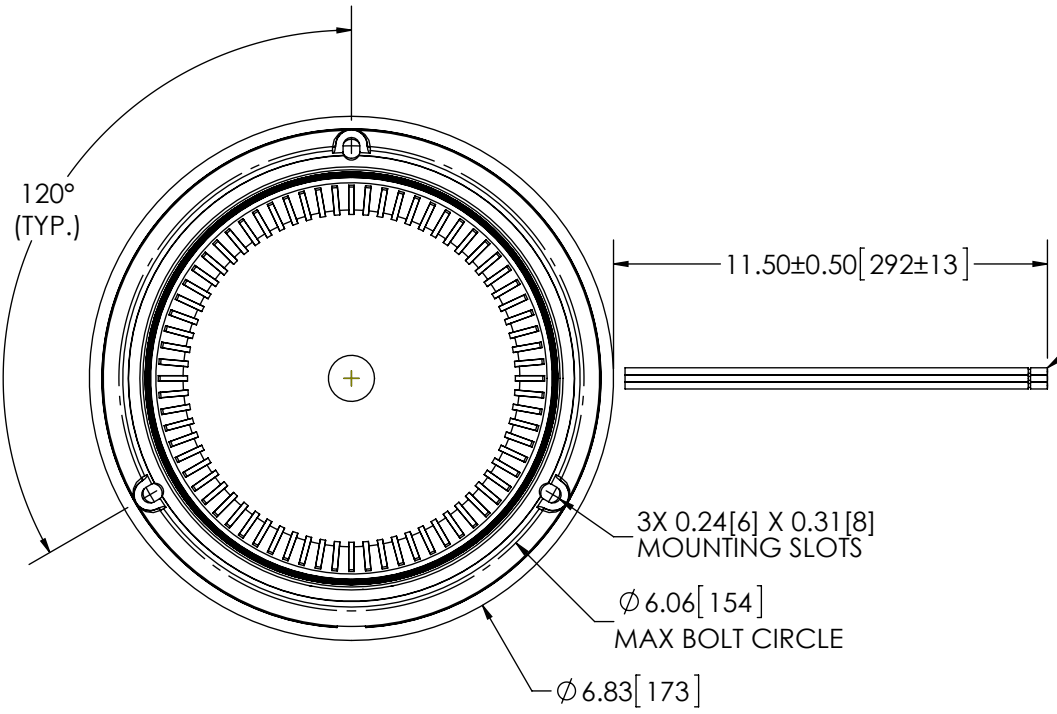
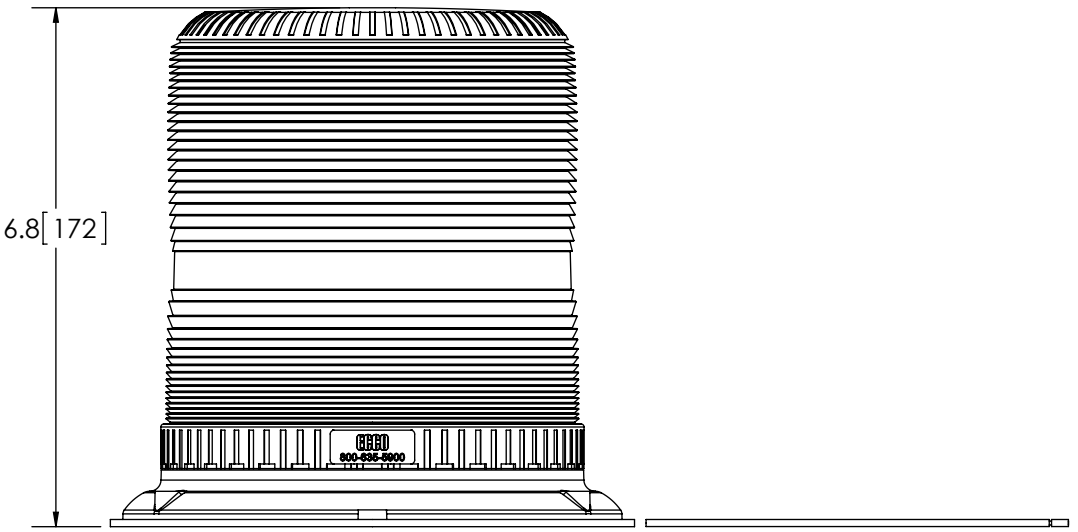


REVISION HISTORY		
REV.	DESCRIPTION	DATE
A	INITIAL RELEASE PER P13005	2014-06-25
B	REVISE PER P13005	2014-08-22
C	REVISE PER P13005	2015-08-13

COLOR CHART	
FGS P/N	COLOR
EB7935A	AMBER
EB7935B	BLUE
EB7935C	CLEAR
EB7935G	GREEN
EB7935R	RED




3-18 AWG WIRES:
 RED- POSITIVE(+)
 BLACK- NEGATIVE(-)
 YELLOW- PATTERN SELECT



SPECIFICATIONS

- CERTIFICATIONS: SAE PENDING;
 Note: Unique components, accessories, and hardware kits are not typically Included in the Product Certification Test Protocols. Unless otherwise Specified, the Product Certifications referred to herein are predicated upon the base product model configuration.
- FLASH MODE: SINGLE : 120 ± 5 FLASHES PER MINUTE
 DOUBLE : 80 ± 5 FLASHES PER MINUTE
 DOUBLE : 120 ± 5 FLASHES PER MINUTE
- VOLTAGE (NOMINAL): 12 to 48 VDC
- VOLTAGE (EXTREME): 9.0 to 56.0 VDC
- CURRENT (PEAK): 2.5A (@ 12 VDC NOMINAL)
- POWER (MAXIMUM): 32.3W (@ 12 VDC NOMINAL)
- TEMPERATURE RANGE: -22°F (-30°C) TO 122°F (50°C)
- CONNECTION: 3-18 AWG WIRES
- MOUNTING: FLANGE; PIPE MOUNT
- BASE MATERIAL: GLASS FILLED POLYPROPYLEN
- LENS MATERIAL: POLYCARBONATE
- PRODUCT WEIGHT: 2.1 LBS (0.95 Kg)

NOTES:
 1. DIMENSIONS IN INCHES [MILLIMETERS (FOR REFERENCE)]

SCALE 1:2.5		APPROVALS	DATE	 www.eccolink.com Americas (800) 635-5900 Europe +44 (0)113 237 5340 Asia Pacific +61 (0)3 63322444
CAD GENERATED DRAWING DO NOT MANUALLY UPDATE. MODEL REFERENCED:C+		DRAWN BY ABB	2015-08-10	
TOLERANCES ARE IN INCHES, AND MILLIMETERS TOLERANCES UNLESS OTHERWISE STATED ARE:		CHECKED MDH	2015-08-11	
MILLIMETERS DECIMALS XX. ± 1.0mm XX.X ± 0.5mm	INCHES DECIMALS X.X ± 0.1 X.XX ± 0.04 X.XXX ± 0.02	MECH. ENG. JLA	2015-08-10	LED BEACON, CLASS II, 12-48VDC, HD 6" CUSTOMER PART NO. SEE CHART PRODUCT SERIES: 7900
		ELEC. ENG.		
		TEST ENG.		SIZE: A
		SALES.		DWG. NO. EB7935X
		Electronically Controlled Use Latest Copy		REV. C
		SHEET 1 OF 1	Project: P13005	Date Created: 2013-08-27

NON DISCLOSURE AGREEMENT
 THIS DRAWING AND THE DESIGN IT DISCLOSES ARE THE PRIVATE PROPERTY OF ESG AND IS ISSUED IN CONFIDENCE FOR ENGINEERING INFORMATION ONLY. THE DRAWING AND / OR DESIGN MAY NOT BE USED, COPIED, REPRODUCED, OR OTHERWISE DISCLOSED IN PART OR AS A WHOLE TO OUTSIDERS OR USED FOR ANY OTHER PURPOSE WITHOUT THE PRIOR WRITTEN CONSENT OF ESG. THE DRAWING IS SUBJECT TO RECALL AT ANY TIME. YOUR POSSESSION OF THIS DOCUMENT CONSTITUTES ACCEPTANCE OF THESE TERMS. © 2013 ECCO

