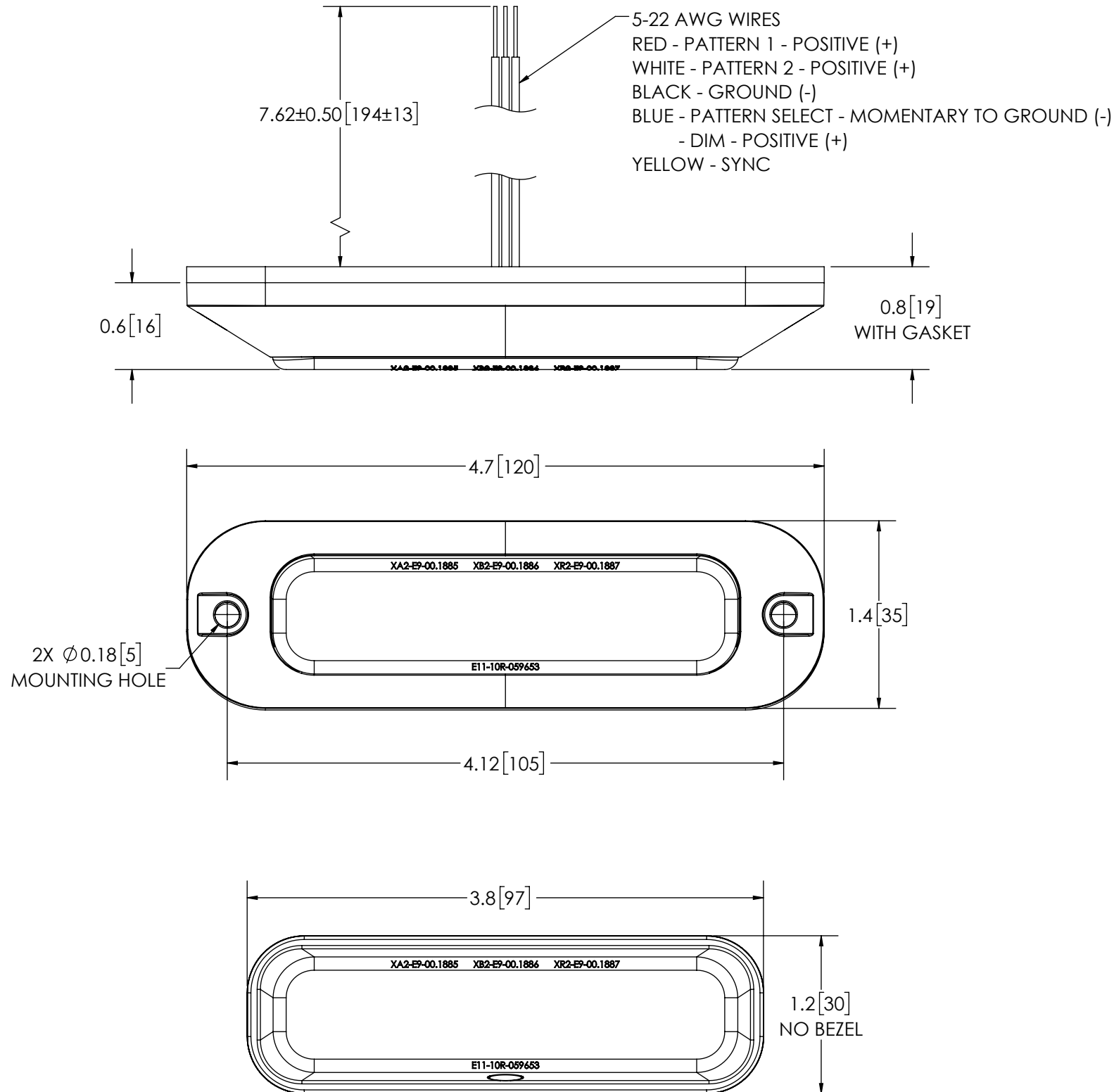


REVISION HISTORY		
REV.	DESCRIPTION	DATE
02	REVISED PER C14031	2019-02-20
A	INITIAL RELEASE PER C14031	2019-03-14
B	REVISED PER EC6091	2021-06-02

SPECIFICATIONS

- CERTIFICATIONS: IP76;REG10; SEE CHART FOR SAE J595, CA TITLE 13 AND REG65
 Note: Unique components, accessories, and hardware kits are not typically Included in the Product Certification Test Protocols. Unless otherwise Specified, the Product Certifications referred to herein are predicated upon the base product model configuration.
- FLASH MODE: SINGLE : 75 ± 5 FLASHES PER MINUTE
 QUINT : 150 ± 5 FLASHES PER MINUTE
 SINGLE : 120 ± 5 FLASHES PER MINUTE
- VOLTAGE (NOMINAL): 12-24 VDC
- VOLTAGE (EXTREME): 9-32 VDC
- CURRENT (PEAK): SEE CHART
- POWER (MAXIMUM): SEE CHART
- TEMPERATURE RANGE: -40°F (-40°C) TO 149°F (65°C)
- CONNECTION: 5 - 22 AWG WIRES
- MOUNTING: 2 BOLT
- BASE MATERIAL: POLYCARBONATE
- LENS MATERIAL: POLYCARBONATE
- PRODUCT WEIGHT: 0.13 LBS (0.06 Kg)





FG PRODUCT CHART						
FG P/N	COLOR	CURRENT (PEAK) @ 12VDC NOMINAL	POWER (MAX) @ 12VDC NOMINAL	REG 65	SAE J595	CA TITLE 13
ED3704A	AMB	0.6 A	7.5 W	CLASS 2	CLASS 1	CLASS B
ED3704B	BLU	0.6 A	7.2 W	CLASS 2	CLASS 1	CLASS B
ED3704G	GRN	0.6 A	7.7 W	-	-	-
ED3704R	RED	0.5 A	5.8 W	CLASS 2	CLASS 1	CLASS B
ED3704C	WHT	0.7 A	7.7 W	-	CLASS 1	-

- NOTES:
 1. ROHS COMPLIANT
 2. DIMENSIONS IN INCHES[MILLIMETERS (FOR REFERENCE)]

PROPRIETARY AND CONFIDENTIAL INFORMATION

THIS DRAWING AND THE DESIGN AND OTHER INFORMATION DISCLOSED HEREIN ARE THE PROPERTY OF ELECTRONIC CONTROLS COMPANY AND/OR ITS ECCO SAFETY GROUP AFFILIATES ("ECCO") AND IS ISSUED IN CONFIDENCE TO RECIPIENT FOR ENGINEERING INFORMATION PURPOSES ONLY. THIS DRAWING AND THE DESIGN AND OTHER INFORMATION DISCLOSED HEREIN MAY NOT BE USED, COPIED, REPRODUCED OR OTHERWISE DISCLOSED IN PART OR IN WHOLE TO THIRD PARTIES OR USED FOR ANY OTHER PURPOSE WITHOUT PRIOR ECCO WRITTEN CONSENT. ECCO RESERVES ALL PATENT, COPYRIGHT, TRADEMARK AND OTHER PROPRIETARY RIGHTS TO THIS DOCUMENT, INCLUDING ALL DESIGN, MANUFACTURING, REPRODUCTION, USE AND SALES RIGHTS THEREIN. THIS DRAWING IS SUBJECT TO RECALL BY ECCO AT ANY TIME, AND YOUR POSSESSION AND/OR USE CONSTITUTES ACCEPTANCE OF THESE TERMS. ©2019 ELECTRONIC CONTROLS COMPANY

SCALE 1:1	APPROVALS	DATE	 ECCO www.eccolink.com Americas (800) 635-5900 Europe +44 (0)113 237 5340 Asia Pacific +61 (0)3 63322444															
CAD GENERATED DRAWING DO NOT MANUALLY UPDATE. MODEL REFERENCED: A	DRAWN BY: ABB	2020-10-01																
TOLERANCES ARE IN INCHES, AND MILLIMETERS TOLERANCES UNLESS OTHERWISE STATED ARE:	CHECKED: ART	2020-10-02																
<table border="1"> <tr> <th>MILLIMETERS DECIMALS</th> <th>INCHES DECIMALS</th> <th>ANGLES</th> <th>FRACTIONS</th> </tr> <tr> <td>XX ± 1.0mm</td> <td>X.X ± 0.1</td> <td>± 0.5°</td> <td>± 1/64</td> </tr> <tr> <td>XX.X ± 0.5mm</td> <td>X.XX ± 0.04</td> <td></td> <td></td> </tr> <tr> <td></td> <td>X.XXX ± 0.02</td> <td></td> <td></td> </tr> </table>	MILLIMETERS DECIMALS	INCHES DECIMALS		ANGLES	FRACTIONS	XX ± 1.0mm	X.X ± 0.1	± 0.5°	± 1/64	XX.X ± 0.5mm	X.XX ± 0.04				X.XXX ± 0.02			MECH. ENG. NMT
MILLIMETERS DECIMALS	INCHES DECIMALS	ANGLES	FRACTIONS															
XX ± 1.0mm	X.X ± 0.1	± 0.5°	± 1/64															
XX.X ± 0.5mm	X.XX ± 0.04																	
	X.XXX ± 0.02																	
	ELEC. ENG. SPO	2020-10-01																
	TEST ENG. RM	2020-10-19																
	SALES. MD	2020-10-01																
THIRD ANGLE PROJECTION			4 LED, SURFACE MNT, 12-24VDC CUSTOMER PART NO. SEE CHART PRODUCT SERIES: ED3704															
Electronically Controlled Use Latest Copy	SIZE: B	DWG. NO. ED3704X	REV. B															
	SHEET 1 OF 1	Project: C14031	Date Created: 2019-02-05															