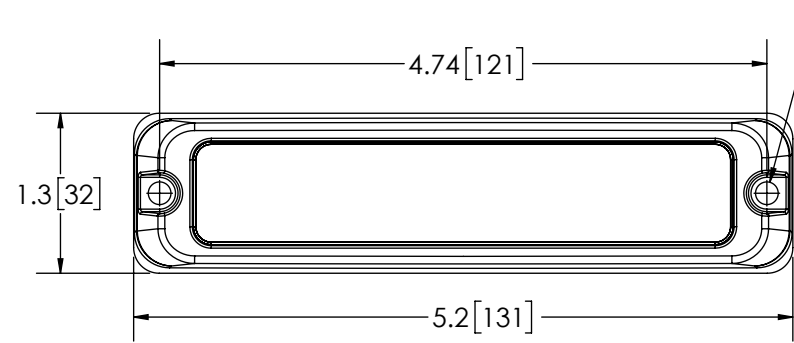
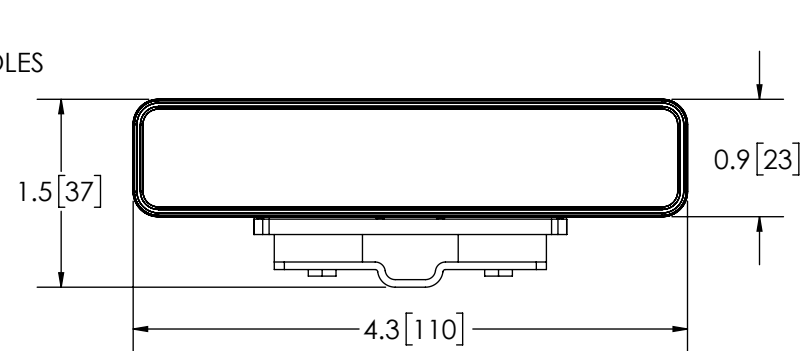


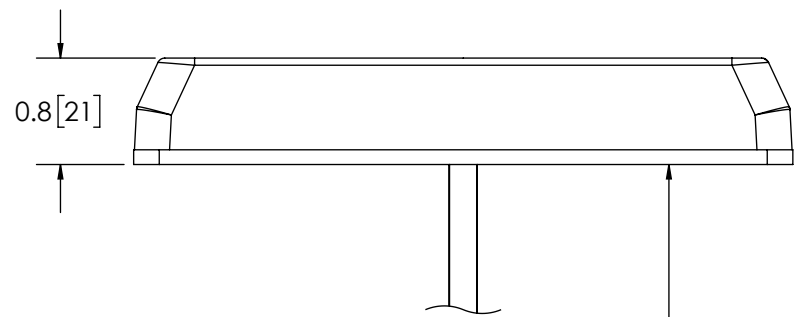
| REVISION HISTORY | | |
|------------------|-----------------------------|------------|
| REV. | DESCRIPTION | DATE |
| A | INITIAL RELEASE PER LM14253 | 2015-06-05 |
| B | REVISE PER LM14253 | 2015-10-09 |
| C | REVISED PER EP0152 | 2023-05-02 |



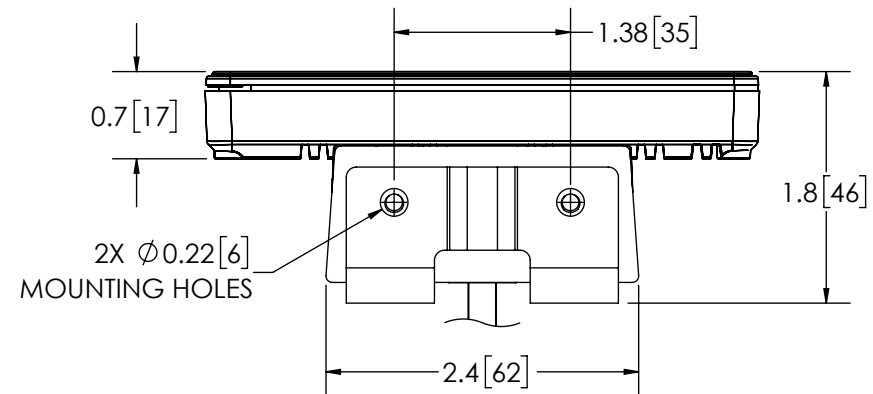
FRONT VIEW W/ BEZEL



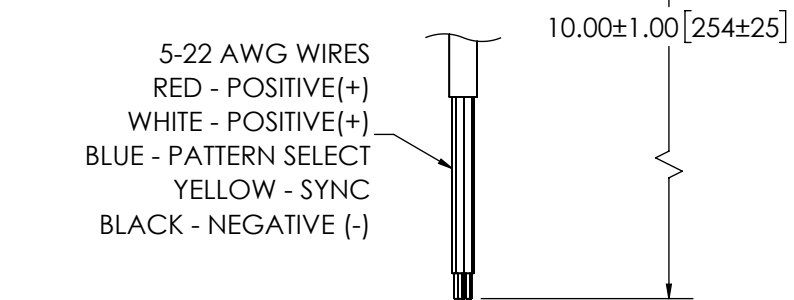
FRONT VIEW W/ BRACKET



BOTTOM VIEW W/ BEZEL



BOTTOM VIEW W/ BRACKET



5-22 AWG WIRES
 RED - POSITIVE(+)
 WHITE - POSITIVE(+)
 BLUE - PATTERN SELECT
 YELLOW - SYNC
 BLACK - NEGATIVE (-)


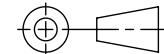
SPECIFICATIONS

- CERTIFICATIONS: ECE R10; SAE (SEE CHART) ; CA Title 13 (SEE CHART); Reg 65 CertE6 XR1 000125 (SEE CHART);
 Note: Unique components, accessories, and hardware kits are not typically included in the Product Certification Test Protocols. Unless otherwise Specified, the Product Certifications referred to herein are predicated upon the base product model configuration.
- FLASH MODE: SINGLE : 75 ± 5 FLASHES PER MINUTE
 SINGLE : 375 ± 5 FLASHES PER MINUTE
 DOUBLE : 75 ± 5 FLASHES PER MINUTE
- VOLTAGE (NOMINAL): 12 to 24 VDC
- VOLTAGE (EXTREME): 9.0 to 32.0 VDC
- CURRENT (PEAK): SEE CHART(@ 12 VDC NOMINAL)
- POWER (MAXIMUM): SEE CHART(@ 12 VDC NOMINAL)
- TEMPERATURE RANGE: -40°F (-40°C) TO 149°F (65°C)
- CONNECTION: 5 - 22 AWG WIRES
- MOUNTING: 2-BOLT
- BASE MATERIAL: ALUMINUM
- LENS MATERIAL: POLYCARBONATE
- PRODUCT WEIGHT: 0.2 LBS (0.09 Kg)

| FGS. PRODUCT CHART | | | | | | |
|--------------------|---------|------------------|---------------|-------------------|------------------|------------------|
| FGS. NO. | COLOR | CURRENT (PEAK) A | POWER (MAX) W | J595 (NOV 2011) | TITLE 13 | ECE R65 |
| ED3712AB | AMB/BLU | 1.25 | 16.0 | CLASS I; AMB,BLU | CLASS B; AMB,BLU | CLASS I; AMB,BLU |
| ED3712AC | AMB/WHT | 0.9 | 11.6 | CLASS I; AMB,WHT | CLASS B; AMB | CLASS I; AMB |
| ED3712AG | AMB/GRN | 0.88 | 11.3 | CLASS I; AMB | CLASS B; AMB | CLASS I; AMB |
| ED3712AR | AMB/RED | 0.93 | 11.9 | CLASS I; AMB,RED | CLASS B; AMB,RED | CLASS I; AMB,RED |
| ED3712BC | BLU/WHT | 1.25 | 16.0 | CLASS I; BLU, WHT | CLASS B; BLU | CLASS I; BLU |
| ED3712RB | RED/BLU | 1.1 | 14.1 | CLASS I; RED,BLU | CLASS B; RED,BLU | CLASS I; RED,BLU |
| ED3712RC | RED/WHT | 0.9 | 11.8 | CLASS I; RED,CLR | CLASS B; RED | CLASS I; RED |

NOTES:
 1. ROHS COMPLIANT
 2. DIMENSIONS IN INCHES[MILLIMETERS (FOR REFERENCE)]

PROPRIETARY AND CONFIDENTIAL INFORMATION
 THIS DRAWING AND THE DESIGN AND OTHER INFORMATION DISCLOSED HEREIN ARE THE PROPERTY OF ELECTRONIC CONTROLS COMPANY AND/OR ITS ECCO SAFETY GROUP AFFILIATES ("ECCO") AND IS ISSUED IN CONFIDENCE TO RECIPIENT FOR ENGINEERING INFORMATION PURPOSES ONLY. THIS DRAWING AND THE DESIGN AND OTHER INFORMATION DISCLOSED HEREIN MAY NOT BE USED, COPIED, REPRODUCED OR OTHERWISE DISCLOSED IN PART OR IN WHOLE TO THIRD PARTIES OR USED FOR ANY OTHER PURPOSE WITHOUT PRIOR ECCO WRITTEN CONSENT. ECCO RESERVES ALL PATENT, COPYRIGHT, TRADEMARK AND OTHER PROPRIETARY RIGHTS TO THIS DOCUMENT, INCLUDING ALL DESIGN, MANUFACTURING, REPRODUCTION, USE AND SALES RIGHTS THEREIN. THIS DRAWING IS SUBJECT TO RECALL BY ECCO AT ANY TIME, AND YOUR POSSESSION AND/OR USE CONSTITUTES ACCEPTANCE OF THESE TERMS. ©2015 ELECTRONIC CONTROLS COMPANY

| | | | | | | | | | | | | | | | |
|--|----------------------|-----------------|--|-------------|-----------|----------|--------------|-------------|-----------|--|--------------|--------|------------|--|---|
| SCALE 2:3 | APPROVALS | DATE |  Americas (800) 635-5900 Europe +44 (0)113 237 5340 Asia Pacific +61 (0)3 63322444 | | | | | | | | | | | | |
| CAD GENERATED DRAWING DO NOT MANUALLY UPDATE. | DRAWN BY BTK | 2023-05-01 | | | | | | | | | | | | | |
| TOLERANCES ARE IN INCHES, AND MILLIMETERS TOLERANCES UNLESS OTHERWISE STATED ARE: | CHECKED ABD | 2023-05-02 | | | | | | | | | | | | | |
| <table border="0"> <tr> <td>MILLIMETERS DECIMALS</td> <td>INCHES DECIMALS</td> <td>ANGLES</td> </tr> <tr> <td>XX. ± 1.0mm</td> <td>X.X ± 0.1</td> <td>° ± 0.5°</td> </tr> <tr> <td>XX.X ± 0.5mm</td> <td>X.XX ± 0.04</td> <td>FRACTIONS</td> </tr> <tr> <td></td> <td>X.XXX ± 0.02</td> <td>± 1/64</td> </tr> </table> | MILLIMETERS DECIMALS | INCHES DECIMALS | ANGLES | XX. ± 1.0mm | X.X ± 0.1 | ° ± 0.5° | XX.X ± 0.5mm | X.XX ± 0.04 | FRACTIONS | | X.XXX ± 0.02 | ± 1/64 | MECH. ENG. | | 12 LED HEAD, MULTIMOUNT, 12-24V CUSTOMER PART NO. SEE CHART |
| MILLIMETERS DECIMALS | INCHES DECIMALS | ANGLES | | | | | | | | | | | | | |
| XX. ± 1.0mm | X.X ± 0.1 | ° ± 0.5° | | | | | | | | | | | | | |
| XX.X ± 0.5mm | X.XX ± 0.04 | FRACTIONS | | | | | | | | | | | | | |
| | X.XXX ± 0.02 | ± 1/64 | | | | | | | | | | | | | |
| THIRD ANGLE PROJECTION | ELEC. ENG. | | SIZE: B DWG. NO. ED3712XX REV. C Project: LM14253 Date Created: 2015-04-30 | | | | | | | | | | | | |
|  | SALES. | | Electronically Controlled Use Latest Copy SHEET 1 OF 1 | | | | | | | | | | | | |