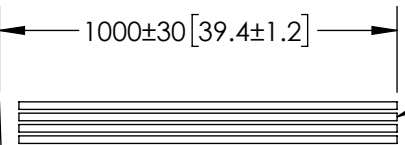
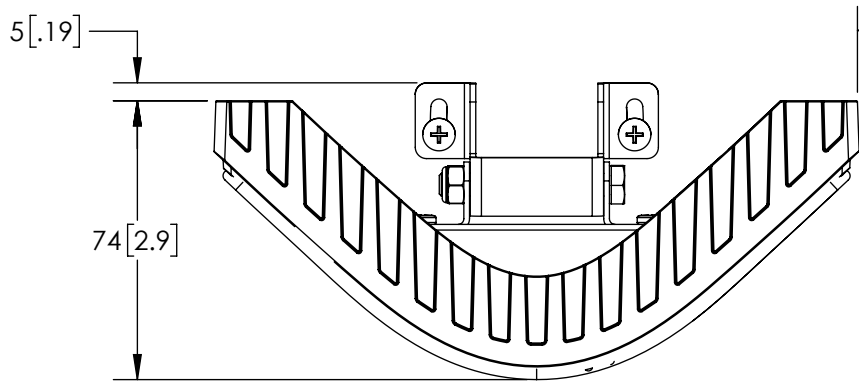


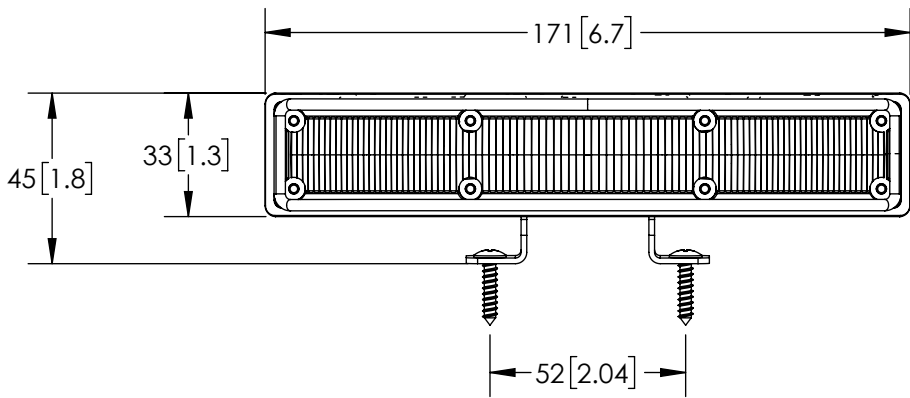
REVISION HISTORY		
REV.	DESCRIPTION	DATE
01	PRELIMINARY RELEASE PER LL0016	2016-04-01
A	INITIAL RELEASE PER LL0016	2016-05-06
B	REVISE PER LL0016	2016-12-19



4-20 AWG WIRES
 RED - POSITIVE(+)
 BLACK - NEGATIVE(-)
 YELLOW - SYNC
 BLUE - PATTERN SELECT


SPECIFICATIONS

- CERTIFICATIONS: ECE R10; R65 CLASS 1, IP67 RATED
 Note: Unique components, accessories, and hardware kits are not typically included in the Product Certification Test Protocols. Unless otherwise specified, the Product Certifications referred to herein are predicated upon the base product model configuration.
- FLASH MODE: DOUBLE : 125 ± 5 FLASHES PER MINUTE
 QUAD : 125 ± 5 FLASHES PER MINUTE
 SINGLE : 125 ± 5 FLASHES PER MINUTE
- VOLTAGE (NOMINAL): 12 to 24 VDC
- VOLTAGE (EXTREME): 10 to 30 VDC
- CURRENT (PEAK): 1.2A (@ 12 VDC NOMINAL)
- POWER (MAXIMUM): 14.4W (@ 12 VDC NOMINAL)
- TEMPERATURE RANGE: -40°F (-40°C) TO 131°F (55°C)
- CONNECTION: 4-CORE 20 AWG WIRES
- MOUNTING: BRACKET W/SCREWS
- BASE MATERIAL: ALUMINIUM
- LENS MATERIAL: POLYCARBONATE
- PRODUCT WEIGHT: 0.85 LBS. (0.39 Kg)



FGS PRODUCT CHART				
FGS. NO.	LED COLOUR	SEC.LED COLOUR	LENS COLOUR	REG 65 CLASS 1
ED5100CA	AMBER	N/A	CLEAR	YES
ED5100CB	BLUE	N/A	CLEAR	YES
ED5100CR	RED	N/A	CLEAR	N/A
ED5100CAB	AMBER	BLUE	CLEAR	YES

SCALE 1:2		APPROVALS	DATE
CAD GENERATED DRAWING DO NOT MANUALLY UPDATE. MODEL REFERENCED:A		DRAWN BY: LSH	2016-12-02
TOLERANCES ARE IN INCHES, AND MILLIMETERS TOLERANCES UNLESS OTHERWISE STATED ARE:		CHECKED: MPS	2016-12-02
MECH. ENG. N/A			2016-12-02
ELEC. ENG. N/A			2016-12-02
TEST ENG.			
SALES.			
Electronically Controlled Use Latest Copy			


www.eccolink.com

Americas (800) 635-5900 | Europe +44 (0)113 237 5340 | Asia Pacific +61 (0)3 63322444

LED,CORNER,SPECIAL WARNING LAMP

CUSTOMER PART NO. SEE CHART	PRODUCT SERIES: 5100
SIZE: A4	DWG. NO. ED5100X
SHEET 1 OF 1	Project: LL0016
Date Created: 2016-04-01	REV. B

NON DISCLOSURE AGREEMENT

THIS DRAWING AND THE DESIGN IT DISCLOSES ARE THE PRIVATE PROPERTY OF ESG AND IS ISSUED IN CONFIDENCE FOR ENGINEERING INFORMATION ONLY. THE DRAWING AND / OR DESIGN MAY NOT BE USED, COPIED, REPRODUCED, OR OTHERWISE DISCLOSED IN PART OR AS A WHOLE TO OUTSIDERS OR USED FOR ANY OTHER PURPOSE WITHOUT THE PRIOR WRITTEN CONSENT OF ESG. THE DRAWING IS SUBJECT TO RECALL AT ANY TIME. YOUR POSSESSION OF THIS DOCUMENT CONSTITUTES ACCEPTANCE OF THESE TERMS. © 2015 ECCO