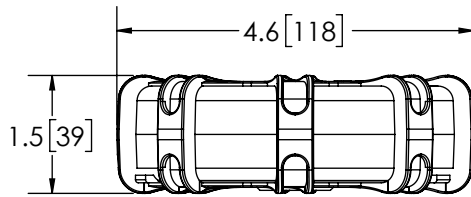
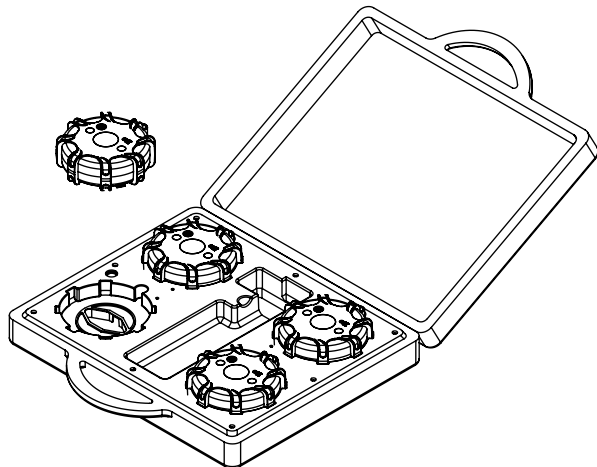


**TOP VIEW**



**FRONT VIEW**



**ISOMETRIC VIEW  
WITH CHARGING CASE**

NOTES:  
1. DIMENSIONS IN INCHES [MILLIMETERS (FOR REFERENCE)]

PROPRIETARY AND CONFIDENTIAL INFORMATION

THIS DRAWING AND THE DESIGN AND OTHER INFORMATION DISCLOSED HEREIN ARE THE PROPERTY OF ELECTRONIC CONTROLS COMPANY AND/OR ITS ECCO SAFETY GROUP AFFILIATES ("ECCO") AND IS ISSUED IN CONFIDENCE TO RECIPIENT FOR ENGINEERING INFORMATION PURPOSES ONLY. THIS DRAWING AND THE DESIGN AND OTHER INFORMATION DISCLOSED HEREIN MAY NOT BE USED, COPIED, REPRODUCED OR OTHERWISE DISCLOSED IN PART OR IN WHOLE TO THIRD PARTIES OR USED FOR ANY OTHER PURPOSE WITHOUT PRIOR ECCO WRITTEN CONSENT. ECCO RESERVES ALL PATENT, COPYRIGHT, TRADEMARK AND OTHER PROPRIETARY RIGHTS TO THIS DOCUMENT, INCLUDING ALL DESIGN, MANUFACTURING, REPRODUCTION, USE AND SALES RIGHTS THERETO. THIS DRAWING IS SUBJECT TO RECALL BY ECCO AT ANY TIME, AND YOUR POSSESSION AND/OR USE CONSTITUTES ACCEPTANCE OF THESE TERMS. ©2019 ELECTRONIC CONTROLS COMPANY


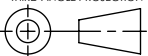
REVISION HISTORY		
REV.	DESCRIPTION	DATE
01	PRELIMINARY RELEASE PER EL0138	2019-02-19
02	REVISED PER EL0138	2019-05-09
A	INITIAL RELEASE PER EL0138	2019-05-13

**SPECIFICATIONS**

- CERTIFICATIONS: UN 38.3, IP67, ROHS  
Note: Unique components, accessories, and hardware kits are not typically Included in the Product Certification Test Protocols. Unless otherwise Specified, the Product Certifications referred to herein are predicated upon the base product model configuration.
- FLASH MODE: 360 ROTATE : 114 ± 5 FLASHES PER MINUTE  
QUAD : 37 ± 5 FLASHES PER MINUTE  
SINGLE : 56 ± 5 FLASHES PER MINUTE
- VOLTAGE (NOMINAL): 5 VDC
- VOLTAGE (EXTREME): VDC
- CURRENT (PEAK): 1.4A (@ 12 VDC NOMINAL)
- POWER (MAXIMUM): 7W (@ 12 VDC NOMINAL)
- TEMPERATURE RANGE: -22°F (-30°C) TO 122°F (50°C)
- CONNECTION: SUPPLIED POWER ADAPTERS
- MOUNTING: MAGNET
- BASE MATERIAL: POLYCARBONATE
- LENS MATERIAL: POLYCARBONATE
- PRODUCT WEIGHT: 0.56 LBS (0.25 Kg)

**DISCLAIMER**

DIMENSIONS, ILLUSTRATIONS, SPECIFICATIONS, AND CERTIFICATIONS CONTAINED IN THIS DOCUMENT ARE TYPICAL OF THE ACTUAL PRODUCT AND ARE SUBJECT TO CHANGE. ECCO ENGINEERING DOES NOT MAINTAIN FORMAL DESIGN CONTROL OF THIS PRODUCT.

SCALE 1:3		APPROVALS	DATE	 <b>ECCO</b> <sup>®</sup> www.eccolink.com Americas (800) 635-5900   Europe +44 (0)113 237 5340   Asia Pacific +61 (0)3 63322444
CAD GENERATED DRAWING DO NOT MANUALLY UPDATE. MODEL REFERENCED: 01		DRAWN BY ABD	2019-05-09	
TOLERANCES ARE IN INCHES, AND MILLIMETERS TOLERANCES UNLESS OTHERWISE STATED ARE:		CHECKED MDH	2019-05-10	
MILLIMETERS DECIMALS XX. ± 1.0mm XX.X ± 0.5mm	INCHES DECIMALS X.X ± 0.1 X.XX ± 0.04 X.XXX ± 0.02	MECH. ENG. JLA	2019-05-09	
	ANGLES ± 0.5° FRACTIONS ± 1/64	ELEC. ENG. JES	2019-05-09	
		TEST ENG. JRT	2019-05-10	
		SALES. ARS	2019-05-13	
THIRD ANGLE PROJECTION			CUSTOMER PART NO. <b>ET0010</b>	
			PRODUCT SERIES:	
SIZE: A	DWG. NO. ET0010	REV. A		
Electronically Controlled Use Latest Copy		SHEET 1 OF 1	Project: EL0138	
		Date Created:		