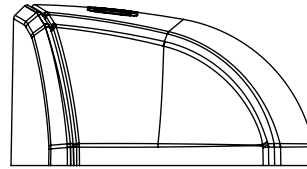
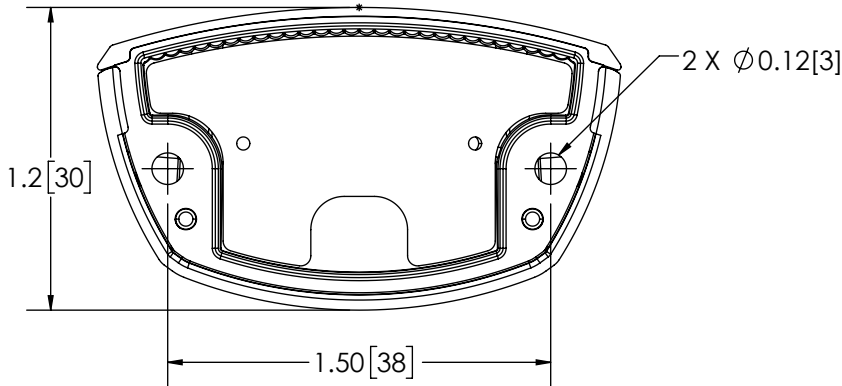


**FRONT VIEW**



**RIGHT VIEW**



**BOTTOM VIEW**

REVISION HISTORY		
REV.	DESCRIPTION	DATE
03	REVISED PER EL0064	2017-08-17
A	INITIAL RELEASE PER EL0064	2017-08-22
B	REVISE PER EL0064	2017-11-09

**SPECIFICATIONS**


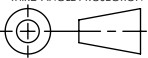
- CERTIFICATIONS: ECE R10; IP67 PENDING  
 Note: Unique components, accessories, and hardware kits are not typically included in the Product Certification Test Protocols. Unless otherwise Specified, the Product Certifications referred to herein are predicated upon the base product model configuration.
- RAW LUMENS: 66 lumens
- EFFECTIVE LUMENS: 65 lumens
- ILLUMINANCE: .0187 lux
- PEAK BEAM INTENSITY: 17.32 Candela
- EFFICACY: 6.5 lm/W
- CORRELATED COLOR TEMPERATURE: K
- VOLTAGE (NOMINAL): 12 to 24 VDC
- VOLTAGE (EXTREME): 9.0 to 32.0 VDC
- CURRENT (PEAK): 0.08A (@ 12 VDC NOMINAL)
- POWER (MAXIMUM): 1.0W (@ 12 VDC NOMINAL)
- TEMPERATURE RANGE: -22°F (-30°C) TO 122°F (50°C)
- CONNECTION: 2 LEAD WIRES
- MOUNTING: 2 BOLT
- HOUSING MATERIAL: POLYCARBONATE
- LENS MATERIAL: POLYCARBONATE
- PRODUCT WEIGHT: .04 LBS (0.02 Kg)

MOUNTING DISCLAIMER:  
 MOUNTING MEASUREMENT IS FOR REFERENCE ONLY.  
 MEASURE BEFORE DRILLING.

**DISCLAIMER**

DIMENSIONS, ILLUSTRATIONS, SPECIFICATIONS AND CERTIFICATIONS CONTAINED IN THIS DOCUMENT ARE TYPICAL OF THE ACTUAL PRODUCT AND ARE SUBJECT TO CHANGE. ECCO ENGINEERING DOES NOT MAINTAIN FORMAL DESIGN CONTROL OF THIS PRODUCT.

- NOTES:  
 1. WIRES:  
 DIMENSION IS 7.5 ± 0.5 [191 ± 13] FROM BASE OF LAMP TO END OF WIRES  
 2-22 AWG WIRES: RED - POSITIVE (+)  
 WHITE - NEGATIVE (-)  
 WIRES NOT SHOWN FOR CLARITY
2. FOR INTERIOR USE ONLY
3. DIMENSIONS IN INCHES [MILLIMETERS (FOR REFERENCE)]

SCALE 1:0.75		APPROVALS	DATE	 <b>ECCO</b> <sup>®</sup> www.eccolink.com Americas (800) 635-5900   Europe +44 (0)113 237 5340   Asia Pacific +61 (0)3 63322444
CAD GENERATED DRAWING DO NOT MANUALLY UPDATE. MODEL REFERENCED: A		DRAWN BY	2017-11-08	
TOLERANCES ARE IN INCHES, AND MILLIMETERS TOLERANCES UNLESS OTHERWISE STATED ARE:		CHECKED MDH	2017-11-09	
MECH. ENG.				
MILLIMETERS DECIMALS XX. ± 1.0mm XX.X ± 0.5mm	INCHES DECIMALS X.X ± 0.1 X.XX ± 0.04 X.XXX ± 0.02	ANGLES ± 0.5°	FRACTIONS ± 1/64	ELEC. ENG.
THIRD ANGLE PROJECTION		TEST ENG.		CUSTOMER PART NO. <b>EW0203</b>
		SALES.		PRODUCT SERIES:
NON DISCLOSURE AGREEMENT		SIZE: A		DWG. NO. <b>EW0203</b>
THIS DRAWING AND THE DESIGN IT DISCLOSES ARE THE PRIVATE PROPERTY OF ELECTRONIC CONTROLS CO. AND IS ISSUED IN CONFIDENCE FOR ENGINEERING INFORMATION ONLY. THE DRAWING AND / OR DESIGN MAY NOT BE USED, COPIED, REPRODUCED, OR OTHERWISE DISCLOSED IN PART OR AS A WHOLE TO OUTSIDERS OR USED FOR ANY OTHER PURPOSE WITHOUT THE PRIOR WRITTEN CONSENT OF ELECTRONIC CONTROLS CO. THE DRAWING IS SUBJECT TO RECALL AT ANY TIME. YOUR POSSESSION OF THIS DOCUMENT CONSTITUTES ACCEPTANCE OF THESE TERMS. © 2017 ELECTRONIC CONTROLS CO.		Electronically Controlled Use Latest Copy		REV. <b>B</b>
		SHEET 1 OF 1		Project: EL0064
		Date Created: 2017-02-10		