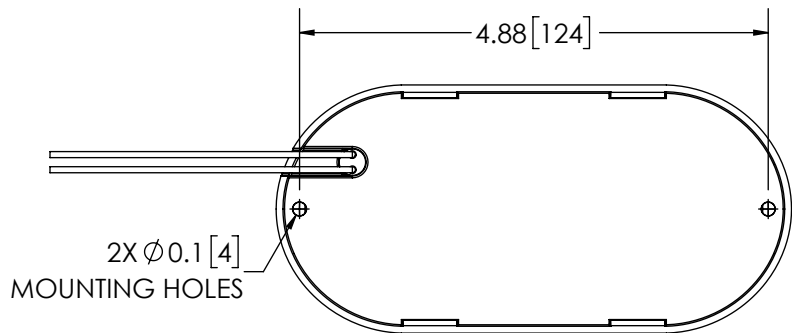
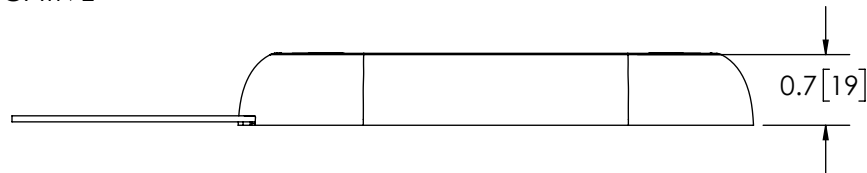


2-22 AWG WIRES
RED (+) POSITIVE
BLACK (-) NEGATIVE



MOUNTING DISCLAIMER
MOUNTING MEASUREMENT IS FOR
REFERENCE ONLY. MEASURE BEFORE DRILLING.

- NOTES:
1. FOR INTERIOR USE ONLY
2. ROHS COMPLIANT
3. DIMENSIONS IN INCHES[MILLIMETERS (FOR REFERENCE)]

DISCLAIMER

DIMENSIONS, ILLUSTRATIONS, SPECIFICATIONS AND CERTIFICATIONS CONTAINED IN THIS DOCUMENT ARE TYPICAL OF THE ACTUAL PRODUCT AND ARE SUBJECT TO CHANGE. ECCO ENGINEERING DOES NOT MAINTAIN FORMAL DESIGN CONTROL OF THIS PRODUCT.

REVISION HISTORY		
REV.	DESCRIPTION	DATE
03	REVISED PER EL0064	2017-06-30
04	REVISED PER EL0064	2017-08-07
A	INITIAL RELEASE PER EL0064	2017-08-11

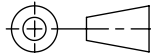
SPECIFICATIONS

- CERTIFICATIONS: ECE R10; IP67
Note: Unique components, accessories, and hardware kits are not typically included in the Product Certification Test Protocols. Unless otherwise Specified, the Product Certifications referred to herein are predicated upon the base product model configuration.
- RAW LUMENS: 385 lumens
- EFFECTIVE LUMENS: 373 lumens
- ILLUMINANCE: .14 lux
- PEAK BEAM INTENSITY: 23 Candela
- EFFICACY: 68.2 lm/W
- CORRELATED COLOR TEMPERATURE: K
- VOLTAGE (NOMINAL): 12 to 24 VDC
- VOLTAGE (EXTREME): 9.0 to 32.0 VDC
- CURRENT (PEAK): 0.45A (@ 12 VDC NOMINAL)
- POWER (MAXIMUM): 5.7W (@ 12 VDC NOMINAL)
- TEMPERATURE RANGE: -22°F (-30°C) TO 122°F (50°C)
- CONNECTION: 2 LEAD WIRES
- MOUNTING: 2 BOLTS, FLUSH MOUNT
- HOUSING MATERIAL: ALUMINUM
- LENS MATERIAL: POLYCARBONATE
- PRODUCT WEIGHT: .32 LBS (0.14 Kg)

NON DISCLOSURE AGREEMENT

THIS DRAWING AND THE DESIGN IT DISCLOSES ARE THE PRIVATE PROPERTY OF ELECTRONIC CONTROLS CO. AND IS ISSUED IN CONFIDENCE FOR ENGINEERING INFORMATION ONLY. THE DRAWING AND / OR DESIGN MAY NOT BE USED, COPIED, REPRODUCED, OR OTHERWISE DISCLOSED IN PART OR AS A WHOLE TO OUTSIDERS OR USED FOR ANY OTHER PURPOSE WITHOUT THE PRIOR WRITTEN CONSENT OF ELECTRONIC CONTROLS CO. THE DRAWING IS SUBJECT TO RECALL AT ANY TIME. YOUR POSSESSION OF THIS DOCUMENT CONSTITUTES ACCEPTANCE OF THESE TERMS. © 2017 ELECTRONIC CONTROLS CO.

SCALE 1:2
CAD GENERATED DRAWING
DO NOT MANUALLY UPDATE.
MODEL REFERENCED: 01



APPROVALS	DATE
DRAWN BY	2017-08-09
CHECKED MDH	2017-08-10
MECH. ENG.	
ELEC. ENG.	
MFG. ENG. KLR	2017-08-09



United States
1-800-635-5900
Americas@eccogroup.com

United Kingdom
+44 (0)113 237 5340
Europe@eccogroup.com

Australia
+61 (0)3 63322444
AsiaPacific@eccogroup.com

INTLIGHT, HARDWIRE 5.4" RECT, 27LED, 12-24GRY

SIZE: A	DWG. NO. EW0360	REV. A
Project: EL0064		Date Created: 2017-02-08