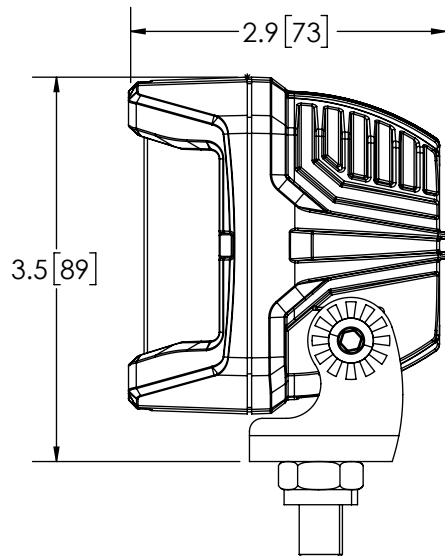


FRONT VIEW



RIGHT VIEW

NOTES:

1. CABLE NOT SHOWN FOR CLARITY
2. WIRE LENGTH IS 17.00 ± 1.00 [432 ± 25] FROM BACK OF HOUSING TO WIRE ENDS
3. DIMENSIONS IN INCHES [MILLIMETERS (FOR REFERENCE)]

PROPRIETARY AND CONFIDENTIAL INFORMATION

THIS DRAWING AND THE DESIGN AND OTHER INFORMATION DISCLOSED HEREIN ARE THE PROPERTY OF ELECTRONIC CONTROLS COMPANY AND/OR ITS ECCO SAFETY GROUP AFFILIATES ("ECCO") AND IS ISSUED IN CONFIDENCE TO RECIPIENT FOR ENGINEERING INFORMATION PURPOSES ONLY. THIS DRAWING AND THE DESIGN AND OTHER INFORMATION DISCLOSED HEREIN MAY NOT BE USED, COPIED, REPRODUCED OR OTHERWISE DISCLOSED IN PART OR IN WHOLE TO THIRD PARTIES OR USED FOR ANY OTHER PURPOSE WITHOUT PRIOR ECCO WRITTEN CONSENT. ECCO RESERVES ALL PATENT, COPYRIGHT, TRADEMARK AND OTHER PROPRIETARY RIGHTS TO THIS DOCUMENT, INCLUDING ALL DESIGN, MANUFACTURING, REPRODUCTION, USE AND SALES RIGHTS THERETO. THIS DRAWING IS SUBJECT TO RECALL BY ECCO AT ANY TIME, AND YOUR POSSESSION AND/OR USE CONSTITUTES ACCEPTANCE OF THESE TERMS. ©2019 ELECTRONIC CONTROLS COMPANY

MOUNTING DISCLAIMER

MOUNTING MEASUREMENT IS FOR REFERENCE ONLY. MEASURE BEFORE DRILLING.

DISCLAIMER

DIMENSIONS, ILLUSTRATIONS, SPECIFICATIONS, AND CERTIFICATIONS CONTAINED IN THIS DOCUMENT ARE TYPICAL OF THE ACTUAL PRODUCT AND ARE SUBJECT TO CHANGE. ECCO ENGINEERING DOES NOT MAINTAIN FORMAL DESIGN CONTROL OF THIS PRODUCT.

REVISION HISTORY		
REV.	DESCRIPTION	DATE
01	PRELIMINARY RELEASE PER EL0145	2019-03-06
02	REVISED PER EL0145	2019-08-08
A	INITIAL RELEASE PER EL0145	2019-08-16

SPECIFICATIONS

1. CERTIFICATIONS: **CE**; IP67
 Note: Unique components, accessories, and hardware kits are not typically included in the Product Certification Test Protocols. Unless otherwise Specified, the Product Certifications referred to herein are predicated upon the base product model configuration.
2. VOLTAGE (NOMINAL): 12-24 VDC
3. VOLTAGE (EXTREME): 9-32 VDC
4. CURRENT (PEAK): 1.88A (@ 12 VDC NOMINAL)
5. POWER (MAXIMUM): 24.1W (@ 12 VDC NOMINAL)
6. TEMPERATURE RANGE: -40°F (-40°C) TO 149°F (65°C)
7. CONNECTION: 2 - 22 AWG WIRE CABLE
8. MOUNTING: BRACKET
9. HOUSING MATERIAL: ALUMINUM
10. LENS MATERIAL: POLYCARBONATE
11. PRODUCT WEIGHT: 1.46 LBS (0.66 Kg)

SCALE 1:1.75		APPROVALS	DATE
CAD GENERATED DRAWING DO NOT MANUALLY UPDATE. MODEL REFERENCED: 01		DRAWN BY ABD	2019-08-08
		CHECKED MDH	2019-08-09
TOLERANCES ARE IN INCHES, AND MILLIMETERS TOLERANCES UNLESS OTHERWISE STATED ARE:		MECH. ENG. JLA	2019-08-12
MILLIMETERS DECIMALS XX. ± 1.0mm XX.X ± 0.5mm	INCHES DECIMALS X.X ± 0.1 X.XX ± 0.04 X.XXX ± 0.02	ELEC. ENG. JES	2019-08-13
	ANGLES ± 0.5° FRACTIONS ± 1/64	TEST ENG. JRT	2019-08-16
		SALES. SBB	2019-08-14
THIRD ANGLE PROJECTION			
ELECTRONICALLY CONTROLLED USE LATEST COPY SHEET 1 OF 1		ECCO ® www.eccolink.com Americas (800) 635-5900 Europe +44 (0)113 237 5340 Asia Pacific +61 (0)3 63322444 HD LED, 110 DEGREE WORKLIGHT, 12-24V, FL CUSTOMER PART NO. EW2603 PRODUCT SERIES:	
SIZE: A	DWG. NO. EW2603	REV. A	
Project: EL0145		Date Created: 2019-01-28	