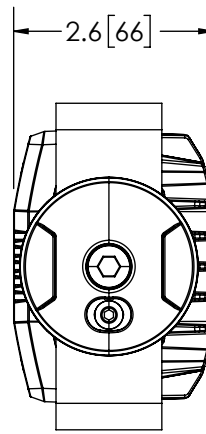
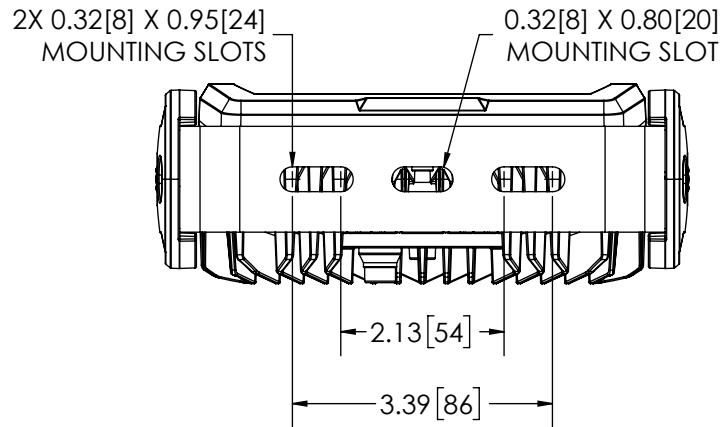


FRONT VIEW



RIGHT VIEW



BOTTOM VIEW

REVISION HISTORY		
REV.	DESCRIPTION	DATE
03	REVISED PER EL0145	2019-08-09
A	INITIAL RELEASE PER EL0145	2019-08-16
B	REVISED PER EL0145	2021-01-19

SPECIFICATIONS

- CERTIFICATIONS: **CE**; IP67
Note: Unique components, accessories, and hardware kits are not typically Included in the Product Certification Test Protocols. Unless otherwise Specified, the Product Certifications referred to herein are predicated upon the base product model configuration.
- VOLTAGE (NOMINAL): 12-24 VDC
- VOLTAGE (EXTREME): 9-32 VDC
- CURRENT (PEAK): 2.1A (@ 12 VDC NOMINAL)
- POWER (MAXIMUM): 26.9W (@ 12 VDC NOMINAL)
- TEMPERATURE RANGE: -40°F (-40°C) TO 149°F (65°C)
- CONNECTION: 3 CONDUCTOR CABLE
- MOUNTING: BRACKET
- HOUSING MATERIAL: ALUMINUM, BLACK COATING
- LENS MATERIAL: POLYCARBONATE
- PRODUCT WEIGHT: 2.8 LBS (1.26 Kg)

MOUNTING DISCLAIMER

MOUNTING MEASUREMENT IS FOR REFERENCE ONLY. MEASURE BEFORE DRILLING.

DISCLAIMER

DIMENSIONS, ILLUSTRATIONS, SPECIFICATIONS, AND CERTIFICATIONS CONTAINED IN THIS DOCUMENT ARE TYPICAL OF THE ACTUAL PRODUCT AND ARE SUBJECT TO CHANGE. ECCO ENGINEERING DOES NOT MAINTAIN FORMAL DESIGN CONTROL OF THIS PRODUCT.

NOTES:

- CONNECTION: 3-18 AWG CONDUCTOR CABLE
BLACK WIRE - GROUND(-)
RED WIRE - FLOOD LEDS(+)
GREEN WIRE - AUXILIARY LEDS (+)
- CABLE NOT SHOWN FOR CLARITY
- CABLE DIMENSION IS 18.50 ± 1.00 [470 ± 25] FROM THE HOUSING TO THE END OF THE WIRES
- DIMENSIONS IN INCHES [MILLIMETERS (FOR REFERENCE)]

SCALE 1:2.5		APPROVALS	DATE
CAD GENERATED DRAWING DO NOT MANUALLY UPDATE. MODEL REFERENCED: 01		DRAWN BY ABB	2020-02-21
TOLERANCES ARE IN INCHES, AND MILLIMETERS TOLERANCES UNLESS OTHERWISE STATED ARE:		CHECKED MDH	2020-02-24
MILLIMETERS DECIMALS	INCHES DECIMALS	MECH. ENG.	
XX ± 1.0mm	X.X ± 0.1	ELEC. ENG. SPO	2020-02-24
XX.X ± 0.5mm	X.XX ± 0.04	TEST ENG.	
	X.XXX ± 0.02	SALES. ARS	2020-02-24
	ANGLES ± 0.5°		
	FRACTIONS ± 1/64		
THIRD ANGLE PROJECTION			

HD LED, DRIVING LIGHT, DRL, 12-24V, SPOT

CUSTOMER PART NO. N/A

SIZE: A	DWG. NO. EW2604	REV. B
Electronically Controlled Use Latest Copy		
SHEET 1 OF 1	Project: EL0145	Date Created: 2019-04-02

PROPRIETARY AND CONFIDENTIAL INFORMATION
THIS DRAWING AND THE DESIGN AND OTHER INFORMATION DISCLOSED HEREIN ARE THE PROPERTY OF ELECTRONIC CONTROLS COMPANY AND/OR ITS ECCO SAFETY GROUP AFFILIATES ("ECCO") AND IS ISSUED IN CONFIDENCE TO RECIPIENT FOR ENGINEERING INFORMATION PURPOSES ONLY. THIS DRAWING AND THE DESIGN AND OTHER INFORMATION DISCLOSED HEREIN MAY NOT BE USED, COPIED, REPRODUCED OR OTHERWISE DISCLOSED IN PART OR IN WHOLE TO THIRD PARTIES OR USED FOR ANY OTHER PURPOSE WITHOUT PRIOR ECCO WRITTEN CONSENT. ECCO RESERVES ALL PATENT, COPYRIGHT, TRADEMARK AND OTHER PROPRIETARY RIGHTS TO THIS DOCUMENT, INCLUDING ALL DESIGN, MANUFACTURING, REPRODUCTION, USE AND SALES RIGHTS THERETO. THIS DRAWING IS SUBJECT TO RECALL BY ECCO AT ANY TIME, AND YOUR POSSESSION AND/OR USE CONSTITUTES ACCEPTANCE OF THESE TERMS. ©2019 ELECTRONIC CONTROLS COMPANY