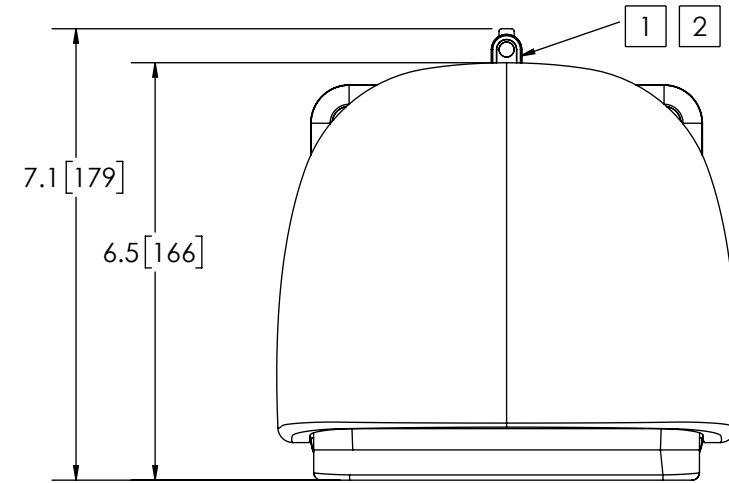
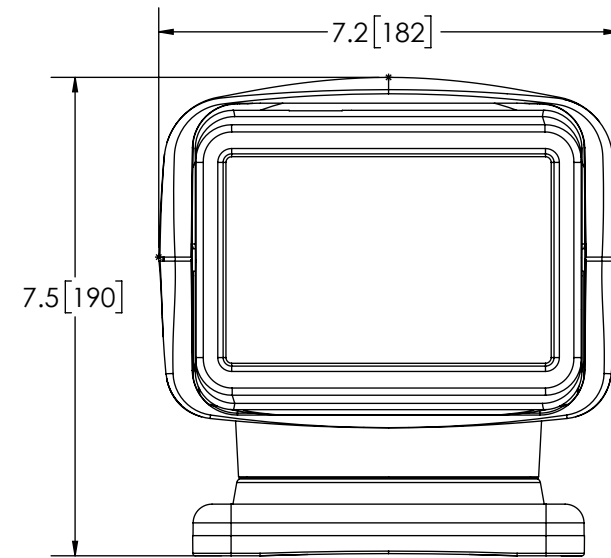


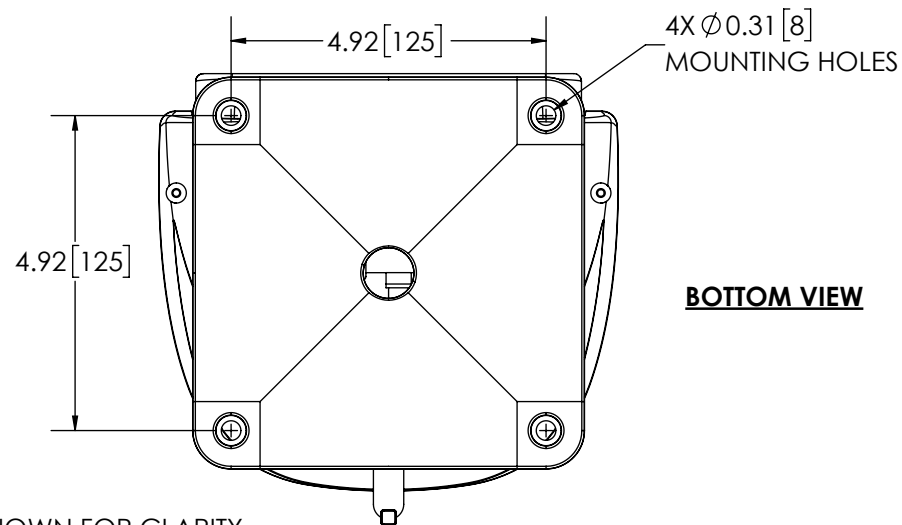
REVISION HISTORY		
REV.	DESCRIPTION	DATE
A	INITIAL RELEASE PER EL0057	2017-08-30
B	REVISE PER EL0057	2017-10-13
C	REVISED PER EC6890	2023-03-16



TOP VIEW



FRONT VIEW



BOTTOM VIEW

NOTES:

- CABLE NOT SHOWN FOR CLARITY
4-CONDUCTOR CABLE WITH JOYSTICK CONNECTOR
CABLE DIMENSION IS 2.00±0.50[51 ± 13] FROM WIRE EXIT TO BACK OF CONNECTOR
- WIRES NOT SHOWN FOR CLARITY
2-18 AWG WIRES W/ BULLET TERMINALS
RED (+) POSITIVE, BLACK (-) NEGATIVE
WIRE DIMENSION IS 6.50±0.50[165 ± 13] FROM WIRE EXIT TO END OF WIRES
- DIMENSIONS IN INCHES[MILLIMETERS (FOR REFERENCE)]


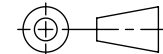
COLOR CHART	
FGS. NO.	HOUSING COLOR
EW3010	BLACK
EW3011	WHITE

SPECIFICATIONS

- CERTIFICATIONS: **CE**; ECE R10; IP56 BODY, IP68 HEAD
FCC, RoHS
Note: Unique components, accessories, and hardware kits are not typically included in the Product Certification Test Protocols. Unless otherwise Specified, the Product Certifications referred to herein are predicated upon the base product model configuration.
- RAW LUMENS: 7040 lumens
- EFFECTIVE LUMENS: 3000 lumens
- ILLUMINANCE (@100 FT): 486 lux
- PEAK BEAM INTENSITY: 448200 candela
- VOLTAGE (NOMINAL): 12-24 VDC
- VOLTAGE (EXTREME): 9-32 VDC
- CURRENT (PEAK): 4.1A (@ 12 VDC NOMINAL)
- POWER (MAXIMUM): 57.0W (@ 12 VDC NOMINAL)
- TEMPERATURE RANGE: -22°F (-30°C) TO 122°F (50°C)
- CONNECTION: 2 - 18 AWG WIRES W/CONNECTORS
- MOUNTING: 4 BOLT
- HOUSING MATERIAL: ALUMINUM
- LENS MATERIAL: POLYCARBONATE
- PRODUCT WEIGHT: 4.7 LBS (2.12 Kg)

MOUNTING DISCLAIMER
MOUNTING MEASUREMENT IS FOR REFERENCE ONLY. MEASURE BEFORE DRILLING.

DISCLAIMER
DIMENSIONS, ILLUSTRATIONS, SPECIFICATIONS AND CERTIFICATIONS CONTAINED IN THIS DOCUMENT ARE TYPICAL OF THE ACTUAL PRODUCT AND ARE SUBJECT TO CHANGE. ECCO ENGINEERING DOES NOT MAINTAIN FORMAL DESIGN CONTROL OF THIS PRODUCT.

SCALE 1:3	APPROVALS	DATE	 ECCO www.eccolink.com Americas (800) 635-5900 Europe +44 (0)113 237 5340 Asia Pacific +61 (0)3 63322444											
CAD GENERATED DRAWING DO NOT MANUALLY UPDATE.	DRAWN BY ABD	2023-03-10												
TOLERANCES ARE IN INCHES, AND MILLIMETERS TOLERANCES UNLESS OTHERWISE STATED ARE:	CHECKED BTK	2023-03-10												
<table border="1"> <tr> <th>MILLIMETERS DECIMALS</th> <th>INCHES DECIMALS</th> <th>ANGLES</th> </tr> <tr> <td>XX ± 1.0mm</td> <td>X.X ± 0.1</td> <td>± 0.5°</td> </tr> <tr> <td>XX.X ± 0.5mm</td> <td>X.XX ± 0.04</td> <td>FRACTIONS</td> </tr> <tr> <td></td> <td>X.XXX ± 0.02</td> <td>± 1/64</td> </tr> </table>	MILLIMETERS DECIMALS	INCHES DECIMALS		ANGLES	XX ± 1.0mm	X.X ± 0.1	± 0.5°	XX.X ± 0.5mm	X.XX ± 0.04	FRACTIONS		X.XXX ± 0.02	± 1/64	MECH. ENG. JLA
MILLIMETERS DECIMALS	INCHES DECIMALS	ANGLES												
XX ± 1.0mm	X.X ± 0.1	± 0.5°												
XX.X ± 0.5mm	X.XX ± 0.04	FRACTIONS												
	X.XXX ± 0.02	± 1/64												
	ELEC. ENG. SPO	2023-03-09												
	TEST ENG. JRT	2023-03-15												
	SALES													
THIRD ANGLE PROJECTION			WIRELESS SPTLIGHT, 10 LED PERM, 12-24V CUSTOMER PART NO. SEE CHART											
Electronically Controlled Use Latest Copy	SIZE: B	DWG. NO. EW301X	REV. C											
SHEET 1 OF 1	Project: EL0057	Date Created: 2017-06-20												