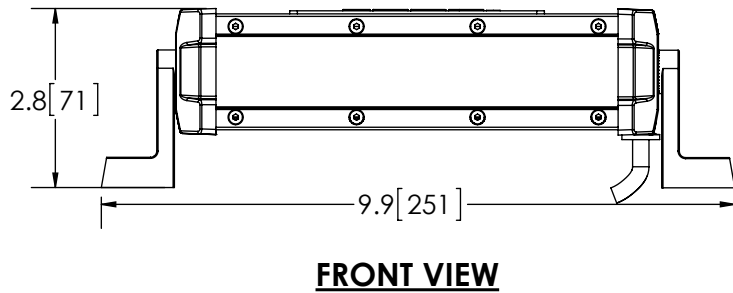
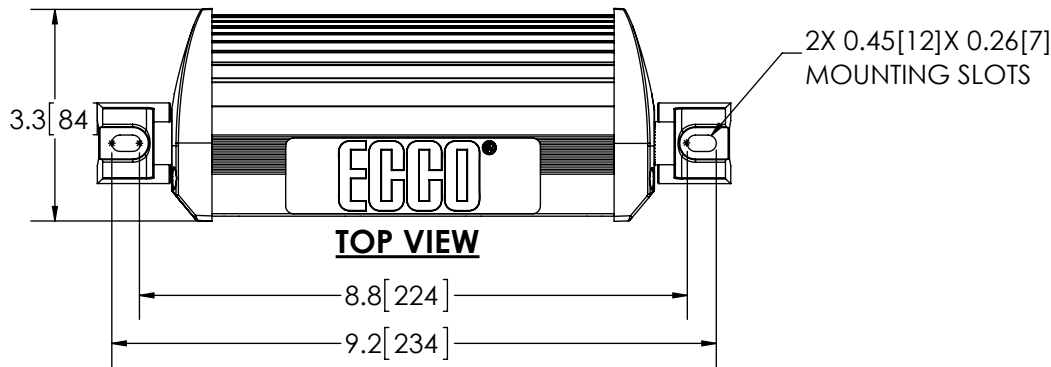


REVISION HISTORY		
REV.	DESCRIPTION	DATE
05	REVISED PER LM14217	2015-06-10
A	INITIAL RELEASE PER LM14217	2015-06-19
B	REVISE PER LM14217	2015-10-16



## SPECIFICATIONS

- CERTIFICATIONS: ECE R10; IP67  
Note: Unique components, accessories, and hardware kits are not typically included in the Product Certification Test Protocols. Unless otherwise Specified, the Product Certifications referred to herein are predicated upon the base product model configuration.
- RAW LUMENS: SEE FGS CHART
- EFFECTIVE LUMENS: SEE FGS CHART
- EFFICACY: SEE FGS CHART
- CORRELATED COLOR TEMPERATURE: 6688K
- VOLTAGE (NOMINAL): 12 to 24 VDC
- VOLTAGE (EXTREME): 9.0 to 32.0 VDC
- CURRENT (PEAK): SEE FGS CHART (@ 12 VDC NOMINAL)
- POWER (MAXIMUM): SEE FGS CHART (@ 12 VDC NOMINAL)
- TEMPERATURE RANGE: -22°F (-30°C) TO 122°F (50°C)
- CONNECTION: 2 CONDUCTOR CABLE
- MOUNTING: 2 BOLT
- HOUSING MATERIAL: ALUMINUM
- LENS MATERIAL: POLYCARBONATE
- PRODUCT WEIGHT: 2.4 LBS (1.08 Kg)


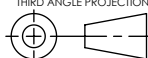
FGS PRODUCT CHART

FGS. NO.	COLOR	PEAK CURRENT (AMPS)	MAX POWER (WATTS)	RAW LUMENS	EFFECTIVE LUMENS	EFFICACY
EW3108-F	WHITE	1.9	26.2	1100	1000	38 lm/W
EW3108-S	WHITE	1.9	26.2	1150	1100	42 lm/W

## DISCLAIMER

Dimensions, Illustrations, Specifications, and Certifications contained in this document are typical of the actual product and are subject to change. ECCO Engineering does not maintain formal design control of this product.

- NOTES:  
1. DIMENSIONS IN INCHES [MILLIMETERS (FOR REFERENCE)]

SCALE 1:3		APPROVALS	DATE	 <a href="http://www.eccolink.com">www.eccolink.com</a>	
CAD GENERATED DRAWING DO NOT MANUALLY UPDATE. MODEL REFERENCED: A		DRAWN BY: ABB	2015-09-28	Americas (800) 635-5900   Europe +44 (0)113 237 5340   Asia Pacific +61 (0)3 63322444	
TOLERANCES ARE IN INCHES, AND MILLIMETERS TOLERANCES UNLESS OTHERWISE STATED ARE:		CHECKED: MDH	2015-09-29	<b>LED LIGHTBAR, 8", SINGLE, SPOT/FLOOD, 12-24V</b>	
MILLIMETERS DECIMALS XX ± 1.0mm XX.X ± 0.5mm	INCHES DECIMALS X.X ± 0.1 X.XX ± 0.04 X.XXX ± 0.02	MECH. ENG.		CUSTOMER PART NO. <b>SEE CHART</b>	
	ANGLES ± 0.5° FRACTIONS ± 1/64	ELEC. ENG.		PRODUCT SERIES: <b>EW3000</b>	
THIRD ANGLE PROJECTION		TEST ENG.: JRT	2015-10-15	SIZE: A	DWG. NO. <b>EW3108-X</b>
		SALES: JPT	2015-09-29	REV. <b>B</b>	
NON DISCLOSURE AGREEMENT		Electronically Controlled Use Latest Copy		SHEET 1 OF 1	Project: LM14217
THIS DRAWING AND THE DESIGN IT DISCLOSES ARE THE PRIVATE PROPERTY OF ESG AND IS ISSUED IN CONFIDENCE FOR ENGINEERING INFORMATION ONLY. THE DRAWING AND / OR DESIGN MAY NOT BE USED, COPIED, REPRODUCED, OR OTHERWISE DISCLOSED IN PART OR AS A WHOLE TO OUTSIDERS OR USED FOR ANY OTHER PURPOSE WITHOUT THE PRIOR WRITTEN CONSENT OF ESG. THE DRAWING IS SUBJECT TO RECALL AT ANY TIME. YOUR POSSESSION OF THIS DOCUMENT CONSTITUTES ACCEPTANCE OF THESE TERMS. © 2015 ECCO		Date Created: 2015-04-14			